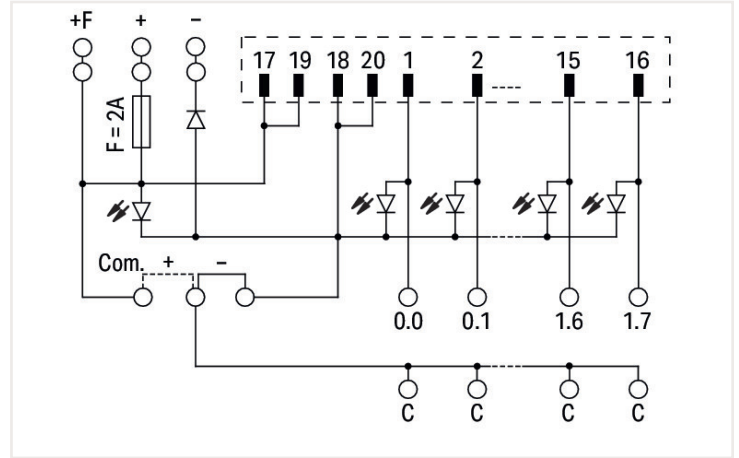


Data sheet | Item number: 704-2024

Interface module for system wiring; Pluggable connector per DIN 41651; Male connector; 20-pole; 16-channel digital input or output; 2-wire connection; in mounting carrier



Electrical data

Inputs/outputs	16-channel digital input or output
Circuit type	2-wire connection
Nominal operating voltage	DC 24 V
Operating voltage range	±10 %
Current consumption (status indication)	5 mA
Total current	2 A
Limiting continuous current	1 A
Status indicator	Green LED (channel) Yellow LED (power supply)
Internal fuse	2 A

Safety and protection

Rated voltage	50 V
Rated surge voltage	0.8 kV
Pollution degree	2

Connection data

Compatible PLC models

WAGO I/O System 750
WAGO I/O System 753
Omron CJ1W
Rockwell Compact Logix
Rockwell Control Logix
Schneider Modicon Quantum
Schneider Modicon M340
Schneider Twido
Schneider TSX
Schneider Modicon TM3
GE Fanuc RX3i
GE Fanuc 9030
Siemens S7-1500
Siemens S7-400
Siemens S7-300

Connection data

Compatible PLC module types

6ES7 313-5BE01-0AB0
 6ES7 313-5BG04-0AB0
 6ES7 313-6BE01-0AB0
 6ES7 313-6BF03-0AB0
 6ES7 313-6CE01-0AB0
 6ES7 313-6CF03-0AB0
 6ES7 314-6BF01-0AB0
 6ES7 314-6BG03-0AB0
 6ES7 314-6CF01-0AB0
 6ES7 314-6CG03-0AB0
 6ES7 321-1BH02-0AA0
 6ES7 321-1BH10-0AA0
 6ES7 321-1BH80-0AA0
 6ES7 321-1BL00-0AA0
 6ES7 321-1BL80-0AA0
 6ES7 321-1BP00-0AA0
 6ES7 321-7BH01-0AB0
 6ES7 321-7BH80-0AA0
 6ES7 322-1EH01-0AA0
 6ES7 322-8BH01/8BH10-0AB0
 6ES7 323-1BL00-0AA0
 6ES7 326-1BK01-0AB0
 6ES7 326-1RF00-0AB0
 6ES7 511-1CK00-0AB0
 6ES7 512-1CK00-0AB0
 6ES7 521-1BH00-0AA0
 6ES7 521-1BH10-0AA0
 6ES7 521-1BL00-0AB0
 6ES7 521-1BL10-0AA0
 6ES7 522-1BH00-0AB0
 6ES7 522-1BH01-0AB0
 6ES7 522-1BH10-0AA0
 6ES7 522-1BL00-0AB0
 6ES7 522-1BL01-0AB0
 6ES7 522-1BL10-0AA0
 6ES7 523-1BL00-0AA0
 6ES7 526-2BF00-0AB0
 6ES7 526-1BH00-0AB0
 6ES7 421-7BH01-0AB0
 6ES7 421-1BL01-0AA0
 6ES7 422-7BL00-0AB0
 6ES7 422-1BL00-0AA0
 IC693 MDL241
 IC693 MDL640
 IC693 MDL643
 IC693 MDL645
 IC693 MDL646
 IC693 MDL655
 IC693 MDL740
 IC693 MDL742
 IC693 MDL753
 IC694 MDL655
 IC694 MDL753
 TM3 DI16(G)
 TM3 DI16K
 TM3 DI32K
 TM3 DQ16T(G)
 TM3 DQ16TK
 TM3 DQ32TK
 TSX DEZ 12D2K
 TSX DEZ 32D2
 TSX DSZ 32T2
 TSX DMZ 28DT
 TSX DMZ 28DTK
 TSX DMZ 64DTK
 TSX DEY 16D2

Connection type 1

System

Pole number 1

20

Connector

DIN 41651 connector; male connector

Mating direction

vertical

Connection type 2

Field

Pole number 2

32

Design 2

PCB terminal blocks (double-deck)

WAGO connector 2

WAGO 736 Series

Connection data

Solid conductor 2	0.08 ... 2.5 mm ² / 28 ... 12 AWG
Fine-stranded conductor 2	0.08 ... 2.5 mm ² / 28 ... 12 AWG
Strip length 2	5 ... 6 mm / 0.2 ... 0.24 inches
Connection type 3	Power supply
Pole number 3	6
Design 3	PCB terminal blocks (double-deck)
WAGO connector 3	WAGO 736 Series
Solid conductor 3	0.08 ... 2.5 mm ² / 28 ... 12 AWG
Fine-stranded conductor 3	0.08 ... 2.5 mm ² / 28 ... 12 AWG
Strip length 3	5 ... 6 mm / 0.2 ... 0.24 inches
Note (conductor cross-section)	12 AWG: THHN, THWN

Physical data

Width	85 mm / 3.346 inches
Height	85 mm / 3.346 inches
Depth from upper-edge of DIN-rail	50 mm / 1.969 inches

Mechanical data

Mounting type	DIN-35 rail
---------------	-------------

Material data

Fire load	1.7 MJ
Weight	112.3 g

Environmental requirements

Ambient temperature (operation)	-20 ... +50 °C
Surrounding air temperature (storage)	-40 ... +70 °C
Relative humidity	≤ 85% (non-condensing)

Commercial data

Product Group	30 ()
eCl@ss 10.0	27-14-11-52
eCl@ss 9.0	27-14-11-52
ETIM 8.0	EC002780
ETIM 7.0	EC002780
PU (SPU)	1 Stück
Packaging type	Box
Country of origin VKOrg Germany	FR
GTIN	4050821220657
Customs tariff number VKOrg Germany	85366990990

Downloads

Environmental Product Compliance

Compliance Search	
Environmental Product Compliance 704-2024	↓

Documentation

System Description		
WAGO System Wiring, Selection Guide	pdf 533.15 KB	↓

Additional Information		
Disposal; Electrical and electronic equipment, Packaging	V 1.0.0	pdf 259.56 KB
		↓

Bid Text			
704-2024	19.02.2019	xml 3.77 KB	↓
704-2024	20.11.2015	doc 25.50 KB	↓

CAD/CAE-Data

CAD data	
2D/3D Models 704-2024	↓

CAE data	
EPLAN Data Portal 704-2024	↓
WSCAD Universe 704-2024	↓
ZUKEN Portal 704-2024	↓

Subject to changes. Please also observe the further product documentation!

Current addresses can be found at: www.wago.com