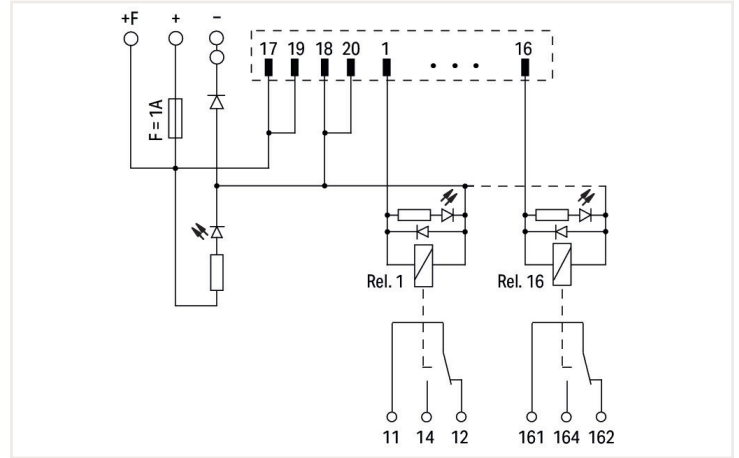
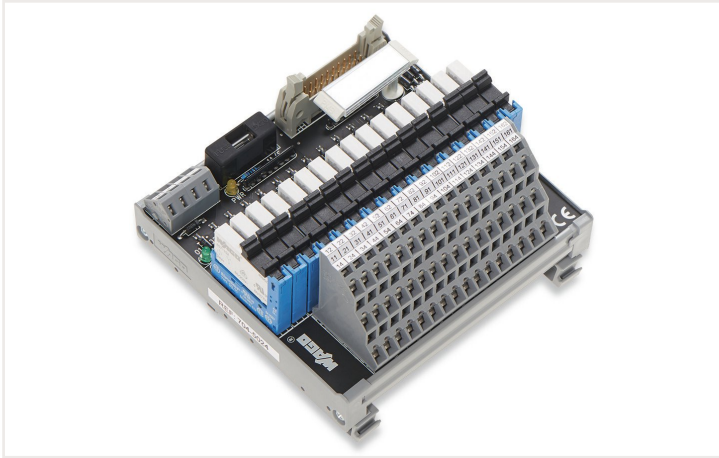


Data sheet | Item number: 704-5024

Interface module for system wiring; Pluggable connector per DIN 41651; Male connector; 20-pole; 16-channel relay output; 1 changeover contact; Triple-deck PCB terminal blocks; in mounting carrier; 2,50 mm²



Electrical data

Inputs/outputs	16-channel relay output
Nominal operating voltage	DC 24 V
Operating voltage range	±10 %
Number of changeover/switchover contacts	1
Limiting continuous current	5 A
Switching voltage (max.)	AC 250 V; DC 48 V
Switching power (resistive) max.	AC 1250 VA; DC 50 W
Mechanical life	10 x 10 ⁶ switching operations
Status indicator	Green LED (channel) Yellow LED (power supply)
Internal fuse	Supply: 1 A; Relay output: -
WAGO Basic Relay	857-152

Safety and protection

Rated voltage	50 V
Rated surge voltage	0.8 kV
Pollution degree	2
Dielectric strength (control/load circuit) (AC, 1 min)	4 kVrms
Dielectric strength (load/load circuit) (AC, 1 min)	1 kVrms

Connection data

Compatible PLC models

Siemens S7-300
Siemens S7-400
Siemens S7-1500
GE Fanuc 9030
GE Fanuc RX3i
Schneider Modicon TM3
Schneider TSX
Schneider Twido
Schneider Modicon M340
Schneider Modicon Quantum
Rockwell Compact Logix
Rockwell Control Logix
WAGO I/O System 753
WAGO I/O System 750
Omron CJ1W

Connection data

Compatible PLC module types

6ES7 313-5BE01-0AB0
 6ES7 313-5BG04-0AB0
 6ES7 313-6BE01-0AB0
 6ES7 313-6BF03-0AB0
 6ES7 313-6CE01-0AB0
 6ES7 313-6CF03-0AB0
 6ES7 314-6BF01-0AB0
 6ES7 314-6BG03-0AB0
 6ES7 314-6CF01-0AB0
 6ES7 314-6CG03-0AB0
 6ES7 322-1BH01-0AA0
 6ES7 322-1BH10-0AA0
 6ES7 322-1BH80-0AA0
 6ES7 322-1BL00-0AA0
 6ES7 322-1BP00-0AA0
 6ES7 322-1EH01-0AA0
 6ES7 322-8BH01/8BH10-0AB0
 6ES7 323-1BL00-0AA0
 6ES7 422-1BL00-0AA0
 6ES7 511-1CK00-0AB0
 6ES7 512-1CK00-0AB0
 6ES7 522-1BH00-0AB0
 6ES7 522-1BH01-0AB0
 6ES7 522-1BH10-0AA0
 6ES7 522-1BL00-0AB0
 6ES7 522-1BL01-0AB0
 6ES7 522-1BL10-0AA0
 6ES7 523-1BL00-0AA0
 IC693 MDL740
 IC693 MDL742
 IC693 MDL753
 IC694 MDL753
 TM3 DQ16T(G)
 TM3 DQ16TK
 TM3 DQ32TK
 TSX DSZ 32T2
 TSX DMZ 28DT
 TSX DMZ 28DTK
 TSX DMZ 64DTK
 TSX DSY 16T2
 TSX DSY 32T2K
 TSX DSY 64T2K
 TSX DMY 28FK
 TSX DMY 28RFK
 TM2 DDO 16TK
 TM2 DDO 32TK
 BMX DDO 1602
 BMX DDO 3202K
 BMX DDO 6402K
 BMX DDM 3202K
 140 DDO 353 00
 140 DDO 353 01
 140 DDO 364 00
 140 DVO 853 00
 1769 - OB16
 1769 - OB16P
 1769 - OB32
 1769 - OB32T
 1756 - OB16E
 1756 - OB32
 753-530 (x2)
 750-1500
 CJ1W-OD212
 CJ1W-OD232
 CJ1W-OD262
 CJ1W-MD232

Pole number	20
Connection type 1	System
Pole number 1	20
Connector	DIN 41651 connector; male connector
Mating direction	vertical
Connection type 2	Field
Pole number 2	48
Design 2	PCB terminal blocks (triple-deck)

Connection data

WAGO connector 2	WAGO 737 Series
Solid conductor 2	0.08 ... 2.5 mm ² / 28 ... 12 AWG
Fine-stranded conductor 2	0.08 ... 2.5 mm ² / 28 ... 12 AWG
Strip length 2	5 ... 6 mm / 0.2 ... 0.24 inches
Connection type 3	Power supply
Pole number 3	4
Design 3	PCB terminal blocks
WAGO connector 3	WAGO 236 Series
Solid conductor 3	0.08 ... 2.5 mm ² / 28 ... 12 AWG
Fine-stranded conductor 3	0.08 ... 2.5 mm ² / 28 ... 12 AWG
Strip length 3	5 ... 6 mm / 0.2 ... 0.24 inches
Note (conductor cross-section)	12 AWG: THHN, THWN

Physical data

Width	111 mm / 4.37 inches
Height	105 mm / 4.134 inches
Depth from upper-edge of DIN-rail	65 mm / 2.559 inches

Mechanical data

Mounting type	DIN-35 rail
---------------	-------------

Material data

Contact material (relay)	AgSnO ₂
Fire load	1.65 MJ
Weight	300 g

Environmental requirements

Ambient temperature (operation)	-25 ... +40 °C
Surrounding air temperature (storage)	-40 ... +70 °C
Relative humidity	≤ 85% (non-condensing)

Commercial data

Product Group	30 ()
eCl@ss 10.0	27-14-11-52
eCl@ss 9.0	27-14-11-52
ETIM 8.0	EC002780
ETIM 7.0	EC002780
PU (SPU)	1 Stück
Packaging type	Box
Country of origin VKOrg Germany	FR
GTIN	4045454980139
Customs tariff number VKOrg Germany	85366990990

Downloads

Environmental Product Compliance

Compliance Search	
Environmental Product Compliance 704-5024	↓

Documentation

System Description		
WAGO System Wiring, Selection Guide	pdf 533.15 KB	↓

Additional Information		
Disposal; Electrical and electronic equipment, Packaging	V 1.0.0	pdf 259.56 KB
		↓

Bid Text			
704-5024	19.02.2019	xml 4.09 KB	↓
704-5024	20.11.2015	doc 26.50 KB	↓

CAD/CAE-Data

CAD data	
2D/3D Models 704-5024	↓

CAE data	
EPLAN Data Portal 704-5024	↓
WSCAD Universe 704-5024	↓
ZUKEN Portal 704-5024	↓

Subject to changes. Please also observe the further product documentation!

Current addresses can be found at: www.wago.com