

# SNE 1 Contact expansion



## Applications

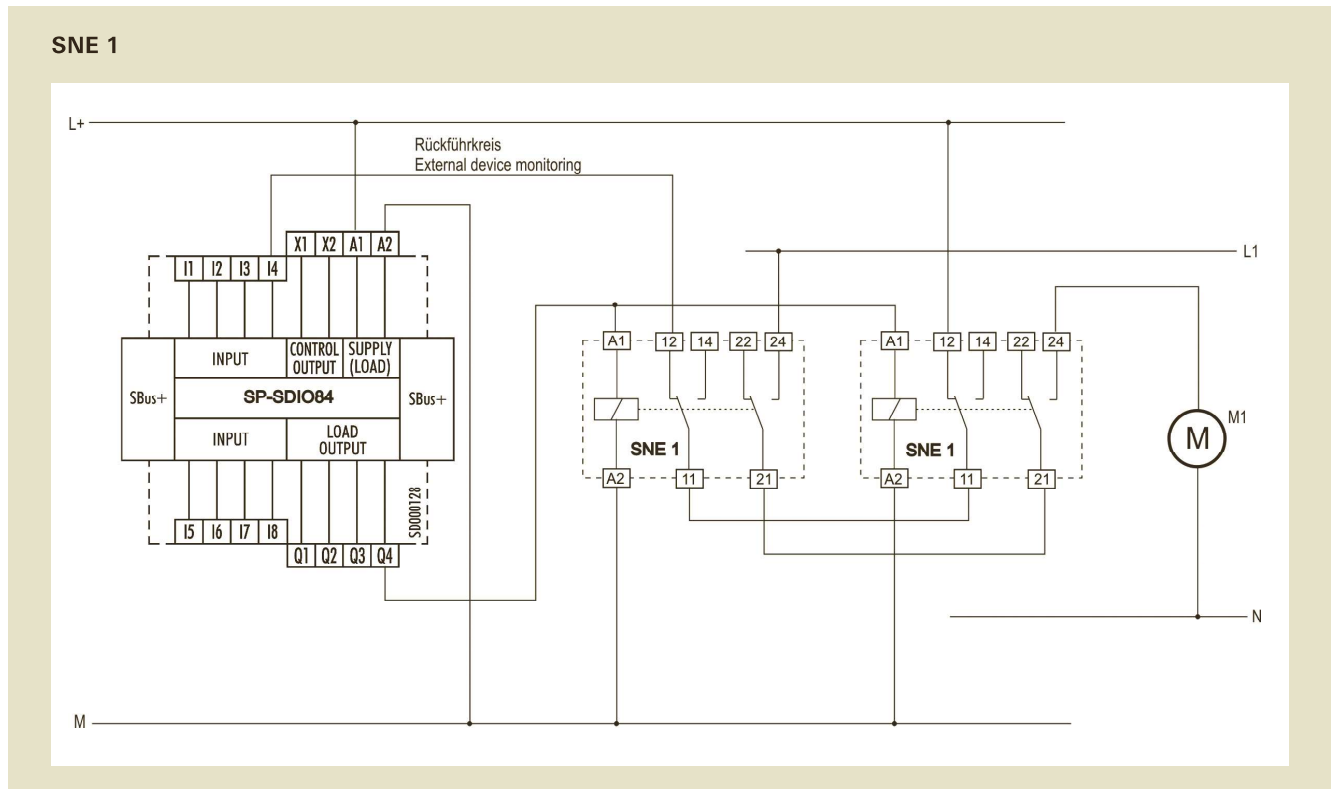
- Duplication of the enabling current paths of a basic device
- Contact expansion in safety-oriented systems
- Up to PL e/Category 4 (EN ISO 13849-1)\*
- Up to SIL<sub>CL</sub> 3 (EN 62061)\*

## Features

- Stop Category 0 and 1 according to EN 60204-1
- Single-channel operation
- 2 changeover contacts (positively driven)
- Sturdy retaining bracket

\* Depends on the category of the basic device or the safety control.

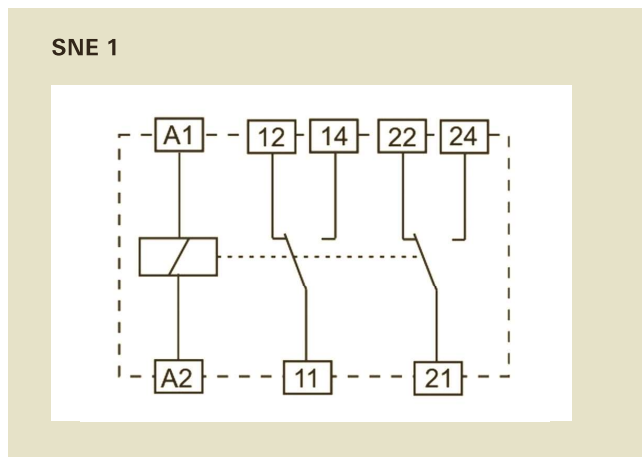
## Circuit diagram



## Overview of devices | Part numbers

Type	Rated voltage	Terminals	Part no.	Std. Pack
SNE 1	24 V DC	Screw terminals	R1.188.3950.0	1

## Circuit diagram



## Technical data

<b>Function</b>	Emergency stop expansion relay	
Function display	none	
<b>Power supply circuit</b>		
Rated voltage $U_N$	A1/A2	24 V DC
Rated consumption	0.7 W	
Operating voltage range $U_B$	0.63 - 1.25 x $U_N$	
Electrical isolation supply circuit - control circuit	yes	
<b>Control circuit</b>		
Input current / peak current	A1/A2	ca. 29 mA
Response time $t_{A1}$ / $t_{A2}$	12 ms	
Release time $t_R$	< 20 ms	
<b>Output circuit</b>		
Enabling paths	11/12/14, 21/22/24	changeover contact
Contact assignment	forcibly guided	
Contact type	Ag-alloy	
Rated switching voltage	230 V AC, 24 V DC	
Max. thermal current $I_{th}$	8 A	
Max. total current $I^2$ of all current path ( $T_u = 55^\circ\text{C}$ )	72 A <sup>2</sup>	
Application category (NO)	AC-15	$U_o$ 230 V, $I_o$ 2 A
	DC-13	$U_o$ 24 V, $I_o$ 3 A
Short-circuit protection (NO), lead fuse / circuit breaker	6 A class gL / melting integral < 100 A <sup>2</sup> s	
Mechanical life	10 x 10 <sup>8</sup> switching cycles	
<b>General data</b>		
Creepage distances and clearances between the circuits	EN 61810-5	
Protection degree according to EN 60529 (housing / terminals)	IP20 / IP20	
Ambient temperature / storage temperature	-40 °C - +70 °C / -40 °C - + 70	
Wire range	fine-stranded / solid	0.25 mm <sup>2</sup> - 4.0 mm <sup>2</sup> (AWG 24-12) / 0.25 - 6.0 mm <sup>2</sup> (AWG 24-10)
Permissible torque	0.5 Nm	
Weight	0.06 kg	
Standards	EN 50205 (Type B)	
Approvals	cURus	