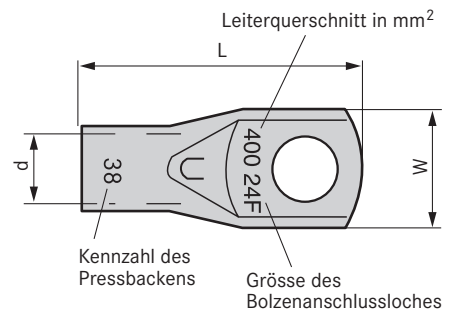




Tube cable lugs KR/ KRT/ KRF



**Benefits**

- With inspection hole (starting from 4 mm<sup>2</sup>)
- High-quality electrolytic copper ensures a good crimping quality

**Application range**

- KR: For fine and multi-wire copper conductors (class 2 an 5) with a cross-sectional range of 0.75 - 10.00 mm<sup>2</sup>
- KRT: For multi-wire copper conductors (class 2) with a cross-sectional range of 10 - 1000 mm<sup>2</sup>

- KRF: For fine wire copper conductors (class 2 and 5) with a cross-sectional range of 16 - 800 mm<sup>2</sup>
- Mainly for connection to rails and to copper connectors
- Max. 48 kV

**Norm references / Approvals**

- In combination with recommended crimp tool fulfill requirements of SS-EN 61238-1, BS 4579:1, VDE 0220:1, EN-IEC 61238:1
- UL file number: E205350 (see table)

**Technical data**

**Classification ETIM 5/6**  
ETIM 5.0/6.0 Class-ID: EC001051  
ETIM 5.0/6.0 Class-Description: Tube cable lug for copper conductors

**Material**  
Tinned electrolyte copper (Cu/Sn4 , tin surface of 4µ)

**Temperature range**  
Temperature range up to +90°C  
Working temperature: 110°C, max. +140°C

Article number	Article designation	Screw hole Ø (mm)	UL certification	Length (mm)	Pressing dies	d mm	W mm	Pieces / PU
<b>KR</b>								
61796480	KR 0,75/3	3	no	16		1.3	6	100
61796490	KR 0,75/4	4	no	17		1.3	6	100
61796500	KR 1,5/3	3	yes	16		1.8	6.5	100
61796510	KR 1,5/4	4	yes	17		1.8	6.5	100
61796520	KR 1,5/5	5	yes	18		1.8	7.5	100
61796530	KR 2,5/3	3	yes	17		2.3	7.5	100
61796540	KR 2,5/4	4	yes	18		2.3	7.5	100
61796550	KR 2,5/5	5	yes	19		2.3	8.5	100
61796560	KR 2,5/6	6	yes	19		2.3	8.5	100
61796570	KR 4/4	4	yes	21		3	8.5	100
61796580	KR 4/5	5	yes	22		3	9	100
61796590	KR 4/6	6	yes	23		3	10	100
61796600	KR 6/4	4	yes	22		4	9.5	100
61796610	KR 6/5	5	yes	22		4	9.5	100
61796620	KR 6/6	6	yes	23		4	10	100
61796630	KR 6/8	8	yes	30		4	13.5	100
61796631	KR 10/5	5	yes	29	B 7/ B 8	5	11.5	100
61796632	KR 10/6	6	yes	29	B 7/ B 8	5	11.5	100
61796633	KR 10/8	8	yes	33	B 7/ B 8	5	13.5	100
<b>KRT</b>								
61796640	KRT 10/5	5	yes	29	B 7	4.5	10	100
61796650	KRT 10/6	6	yes	29	B 7	4.5	10	100
61796660	KRT 10/8	8	yes	34	B 7	4.5	13	100
61796670	KRT 10/10	10	yes	34	B 7	4.5	16	100
61796680	KRT 10/12	12	yes	41	B 7	4.5	19	100
61796690	KRT 16/5	5	yes	34	B 8.5	5.5	12	100
61796700	KRT 16/6	6	yes	34	B 8.5	5.5	12	100
61796710	KRT 16/8	8	yes	39	B 8.5	5.5	15	100
61796720	KRT 16/10	10	yes	39	B 8.5	5.5	16	100
61796730	KRT 16/12	12	yes	47	B 8.5	5.5	19	100
61796740	KRT 25/6	6	yes	43	B 10	7	14	100
61796750	KRT 25/8	8	yes	43	B 10	7	15	100
61796760	KRT 25/10	10	yes	43	B 10	7	16	100
61796770	KRT 25/12	12	yes	48	B 10	7	19	100
61796780	KRT 35/6	6	yes	49	B 12	8.5	17	100
61796790	KRT 35/8	8	yes	49	B 12	8.5	17	100
61796800	KRT 35/10	10	yes	49	B 12	8.5	19	100
61796810	KRT 35/12	12	yes	53	B 12	8.5	22	100
61796820	KRT 50/6	6	yes	53	B 14	10	20	50
61796830	KRT 50/8	8	yes	53	B 14	10	20	50
61796840	KRT 50/10	10	yes	53	B 14	10	20	50
61796850	KRT 50/12	12	yes	56	B 14	10	22	50
61796860	KRT 70/8	8	yes	55	B 16	12	23	50

Article number	Article designation	Screw hole Ø (mm)	UL certification	Length (mm)	Pressing dies	d mm	W mm	Pieces / PU
61796870	KRT 70/10	10	yes	55	B 16	12	23	50
61796880	KRT 70/12	12	yes	58	B 16	12	23	50
61796890	KRT 95/8	8	yes	60	B 18	13.5	26	50
61796900	KRT 95/10	10	yes	60	B 18	13.5	26	50
61796910	KRT 95/12	12	yes	63	B 18	13.5	26	50
61796920	KRT 95/16	16	yes	69	B 18	13.5	28	50
61796930	KRT 120/10	10	yes	64	B 19	15	28	50
61796940	KRT 120/12	12	yes	64	B 19	15	28	50
61796950	KRT 120/16	16	yes	70	B 19	15	28	50
61796960	KRT 150/12	12	no	76	B 22	17	32	25
61796970	KRT 150/16	16	no	76	B 22	17	32	25
61796990	KRT 185/12	12	no	79	13 B 24	19	35	25
61797000	KRT 185/16	16	no	79	13 B 24	19	35	25
61797020	KRT 240/12	12	no	86	13 B 26	21	38	25
61797030	KRT 240/16	16	no	86	13 B 26	21	38	25
61797050	KRT 300/16	16	no	100	13 B 30	24	44	10
61797080	KRT 400/20	20	no	114	13 B 32	26	48	10
<b>KRF</b>								
61803020	KRF 16/6	6	yes	34	B 9	6	13	100
61803030	KRF 16/8	8	yes	34	B 9	6	13	100
61803040	KRF 16/10	10	yes	38	B 9	6	16	100
61803050	KRF 16/12	12	yes	47	B 9	6	22	100
61803060	KRF 25/6	6	yes	39	B 11	8	16	100
61803070	KRF 25/8	8	yes	39	B 11	8	16	100
61803080	KRF 25/10	10	yes	42	B 11	8	17	100
61803090	KRF 25/12	12	yes	47	B 11	8	22	100
61803110	KRF 35/6	6	yes	47	B 13	9	18	100
61803120	KRF 35/8	8	yes	47	B 13	9	18	100
61803130	KRF 35/10	10	yes	47	B 13	9	18	100
61803140	KRF 35/12	12	yes	52	B 13	9	22	100
61803160	KRF 50/8	8	yes	50	B 14.4	11	21	100
61803170	KRF 50/10	10	yes	50	B 14.5	11	21	100
61803180	KRF 50/12	12	yes	53	B 14.5	11	21	100
61803190	KRF 50/16	16	yes	59	B 14.5	11	27	100
61803200	KRF 70/8	8	yes	55	B 17	13	25	50
61803210	KRF 70/10	10	yes	55	B 17	13	25	50
61803220	KRF 70/12	12	yes	58	B 17	13	25	50
61803230	KRF 70/16	16	yes	64	B 17	13	28	50
61803240	KRF 95/10	10	yes	69	B 20	15	29	50
61803250	KRF 95/12	12	yes	69	B 20	15	29	50
61803260	KRF 95/16	16	yes	69	B 20	15	29	50
61803270	KRF 120/10	10	yes	73	B 22	17	32	25
61803280	KRF 120/12	12	yes	73	B 22	17	32	25
61803290	KRF 120/16	16	yes	73	B 22	17	32	25
61803300	KRF 150/12	12	yes	80	B 25/13 B 25	19	36	25
61803310	KRF 150/16	16	yes	80	B 25/13 B 25	19	36	25
61803330	KRF 185/12	12	yes	86	13 B 27	21	39	20
61803340	KRF 185/16	16	yes	86	13 B 27	21	39	20
61803350	KRF 185/20	20	yes	93	13 B 27	21	39	20
61803360	KRF 240/12	12	yes	96	13 B 30	22.5	42	10
61803370	KRF 240/16	16	yes	96	13 B 30	22.5	42	10
61803380	KRF 240/20	20	yes	95	13 B 30	22.5	42	10
61803390	KRF 300/16	16	yes	99	13 B 32	24.5	46	10
61803400	KRF 300/20	20	yes	99	13 B 32	24.5	46	10
61803420	KRF 400/16	16	yes	111	13 B 38	30	56	10
61803430	KRF 400/20	20	yes	126	13 B 38	30	56	10
61803440	KRF 400/24	24	yes	118	13 B 38	30	56	10

Photographs and graphics are not to scale and do not represent detailed images of the respective products.

#### Similar products

- Solderless cable lugs KB refer to page 1003

#### Accessories

- T 2288 pressing pliers refer to page 1014
- V 1311-A pressing pliers, hydraulic refer to page 1014
- DKB 0325 + DKB 0360 crimping pliers refer to page 1010
- PVL 1300 pressing pliers battery-operated refer to page 1015