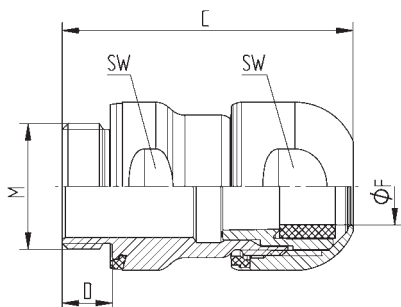




SKINTOP® HYGIENIC / SKINTOP® HYGIENIC-R



Info

- Ideal for hygienic critical areas - resistant, edge-free, robust and reliable
- No gaps, voids or outer lying thread - so no risk of contamination of food machines, facilities or components.

Benefits

- Hygienic Design for ideal cleaning results
- Smooth surfaces and no edges prevent the accumulation of fluids and formation of micro-organisms

Application range

- Food machinery, equipment and components
- For use in product zone
- Pharmaceutical industry

Norm references / Approvals

- EHEDG (TYPE EL Class I AUX)
Hygienic design for machinery and components
- ECOLAB®
Industry standard in the field of professional cleaning and disinfection in the food and beverage industry
- FDA 21 CFR 177.2600
Special sealing element for food and beverage industry in North America
- DIN EN 1672-2
Guideline for the design of machinery
- DIN EN ISO 14 159
Security of machinery Hygienic requirements for the design of machinery

Product Make-up

- Material and shape provide an easy and safe cleaning
- By the blue coloring of the sealing material clearly distinguishable from foodstuffs
- One complete assembly is easily mounted from the outside
- Metric connection thread acc. to DIN EN 60423
- Basis for technical information DIN IEC 62444

Note

- Installation wrench for very high packing density on request

Technical data

- Classification ETIM 5/6**
 ETIM 5.0/6.0 Class-ID: EC000441
 ETIM 5.0/6.0 Class-Description: Cable screw gland
- Material**
 Body: stainless steel - V4A (1.4404 / 316L)
 Insert: polyamide
 Sealing: special elastomer
- Protection rating**
 IP 68 - 10 bar
 IP 69
 NEMA Type 1, 2, 4X, 6, 12
- Temperature range**
 -20°C to +100°C

Article number	Article designation / size	Clamping range ØF (mm)	Thread length, D (mm)	SW wrench size mm	Overall length, C (mm)	Thread length, D (mm)	Pieces / PU
SKINTOP® HYGIENIC							
53105100	M 12 x 1,5	4-6	6,5	16	38,4	6,5	5
53105110	M 16 x 1,5	6,5-9	7	20	43,4	7	5
53105120	M 20 x 1,5	9-12	8	24	46,4	8	5
53105130	M 25 x 1,5	11,5-15,5	8	29	48,9	8	5
SKINTOP® HYGIENIC-R							
53105200	M 12 x 1,5	3-4,5	6,5	16	38,4	6,5	5
53105210	M 16 x 1,5	4,5-7	7	20	43,4	7	5
53105220	M 20 x 1,5	7-10	8	24	46,4	8	5
53105230	M 25 x 1,5	9-12,5	8	29	48,9	8	5

Other sizes are available upon request.
Photographs and graphics are not to scale and do not represent detailed images of the respective products.

Similar products

- SKINTOP® INOX / SKINTOP® INOX-R refer to page 712
- SKINTOP® INOX SC refer to page 713
- SKINTOP® INOX NPT refer to page 768

Accessories

- Suitable counter nut SKINDICHT® SM CrNi M