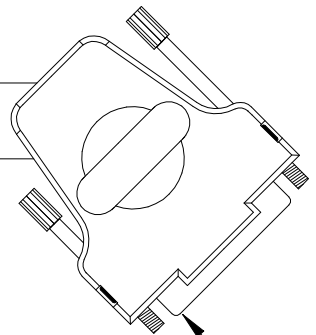
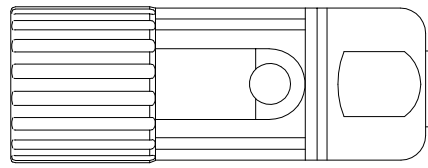


1 2 3 4 5 6 7 8

Ziel

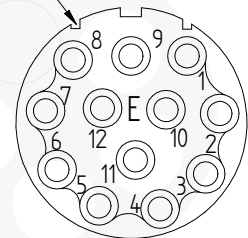
Quelle



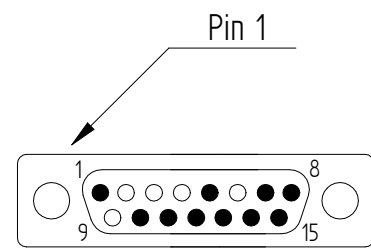
"A" →

Codierung 20° auf Pin 8

"A"



E-Teil



Pin 1

Pin 1

				Date	Name	 <b>LAPP</b> Lapp Systems GmbH Oskar Lapp Strasse 5 70565 Stuttgart www.lappsystems.lappgroup.com	Project	Drawingnumber Customer	Partnumber Customer
				edit 11.11.2015	jaqr1		Siemens	2AH11	
				check. 23.11.2015	bolj1		Description	Übersicht	Format DIN A4
				verify.			GA-EAML-DxFB-UDMN-0000-0000	Partnumber.	All measurements in millimetre
Rev.	Modification	Date	Name			Prep. for	6FXx002-2AH11	54701xx007	Unless otherwise indicated, based on DIN47101
1		2		3		4	5	6	Sheet
									1/3

1 2 3 4 5 6 7 8