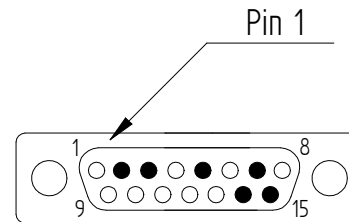
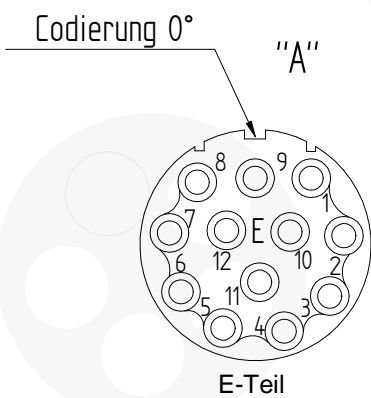
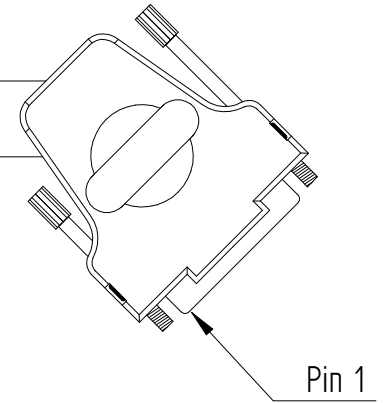
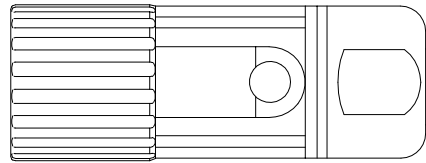


1 2 3 4 5 6 7 8


Ziel

Quelle



A  
B  
C  
D  
E

A  
B  
C  
D  
E

				Date	Name	 LAPP Systems GmbH Oskar Lapp Strasse 5 70565 Stuttgart www.lappsystems.lappgroup.com	Project	Drawingnumber Customer	Partnumber Customer	
				edit 11.11.2015	jaqr1		Siemens	2CC11		
				check. 21.12.2015	bolj1		Description	Übersicht	Format DIN A4	
				verify.			GA-EAML-DxFB-UDMN-0000-0000	Partnumber.	All measurements in millimetre Unless otherwise indicated, based on DIN47101	
Rev.	Modification	Date	Name			Prep. for	6FXx002-2CC11	54701xx021	Sheet 1/3	
1		2		3		4	5	6	7	8