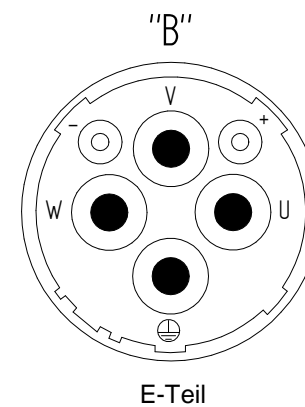
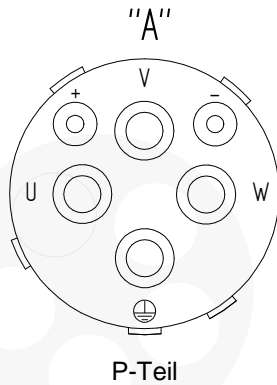
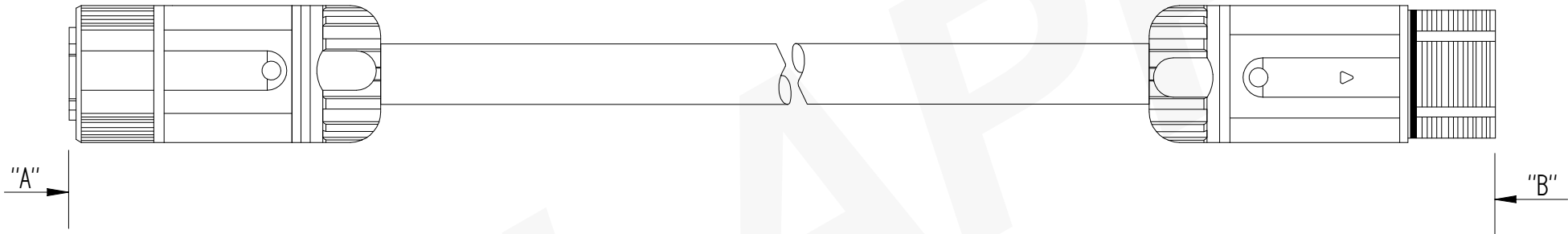


1 2 3 4 5 6 7 8

Ziel

Quelle



				Date	Name	 LAPP Lapp Systems GmbH Oskar Lapp Strasse 5 70565 Stuttgart www.lappsystems.lappgroup.com	Project	Drawingnumber Customer	Partnumber Customer				
			edit	16.11.2015	jaqr1		Siemens	5CA28					
			check.	05.01.2016	flst1		Description	Übersicht	Format DIN A4				
			verify.				GA-JAMF-FxJB-JEMF-0000-0000	Partnumber.	All measurements in millimetre				
Rev.	Modification	Date	Name			Prep. for	6FXx002-5CA28	54701xx045	Unless otherwise indicated, based on DIN47101				
1		2		3		4	5	6	7	Sheet. 1/3			

1 2 3 4 5 6 7 8