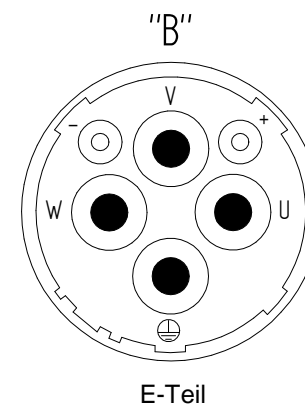
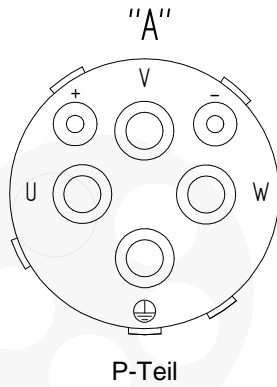
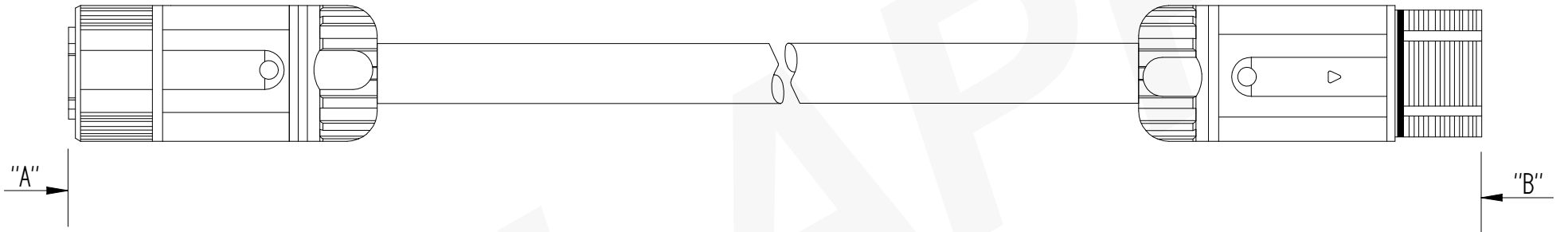


1 2 3 4 5 6 7 8

Ziel

Quelle



				Date	Name	 LAPP Lapp Systems GmbH Oskar Lapp Strasse 5 70565 Stuttgart www.lappsystems.lappgroup.com	Project	Drawingnumber Customer	Partnumber Customer		
			edit	16.11.2015	jaqr1		Siemens	5CA48			
			check.	05.01.2016	flst1		Description	Übersicht	Format DIN A4		
			verify.				GA-JAMF-FxLA-JEMF-0000-0000	Partnumber.	All measurements in millimetre		Sheet.
Rev.	Modification	Date	Name			Prep. for	6FXx002-5CA48	54701xx049	Unless otherwise indicated, based on DIN47101		1/3
1		2		3		4	5	6	7	8	

A
B
C
D
E

A
B
C
D
E