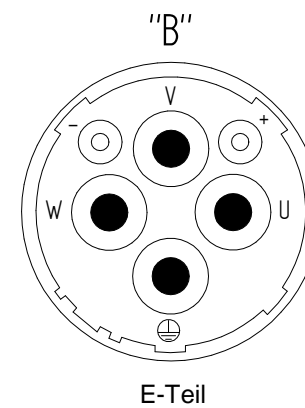
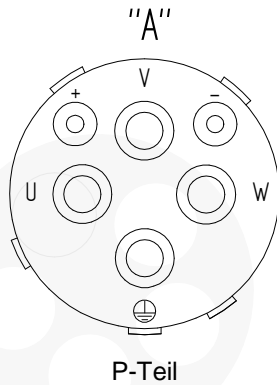
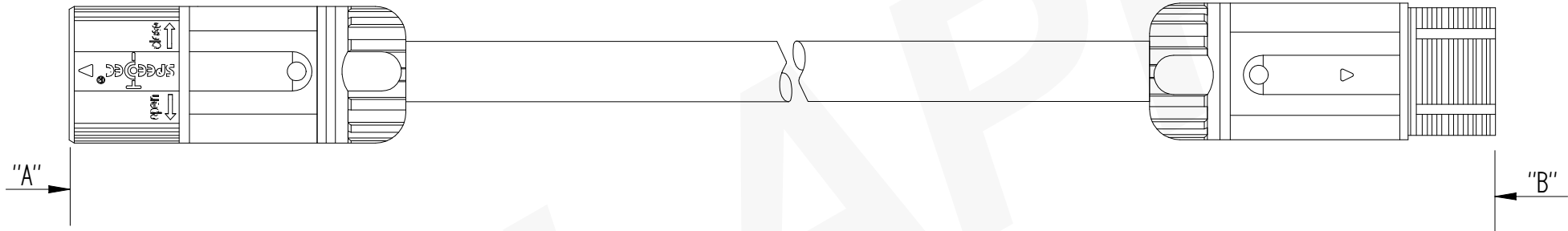



1 2 3 4 5 6 7 8

Ziel

Quelle



				Date	Name	 Lapp Systems GmbH Oskar Lapp Strasse 5 70565 Stuttgart www.lappsystems.lappgroup.com	Project	Drawingnumber Customer	Partnumber Customer	
				edit 24.11.2015	jaqr1		Siemens	5CQ68		
				check. 06.01.2016	flst1		Description	Übersicht	Format DIN A4	
				verify.			GA-JGMF-FxOA-JKMF-0000-0000	Partnumber.	All measurements in millimetre Unless otherwise indicated, based on DIN47101	
Rev.	Modification	Date	Name	Prep. for		Prep. by	54701xx081	Sheet		
1		2		3	4	5	6	7	1/3	

1 2 3 4 5 6 7 8