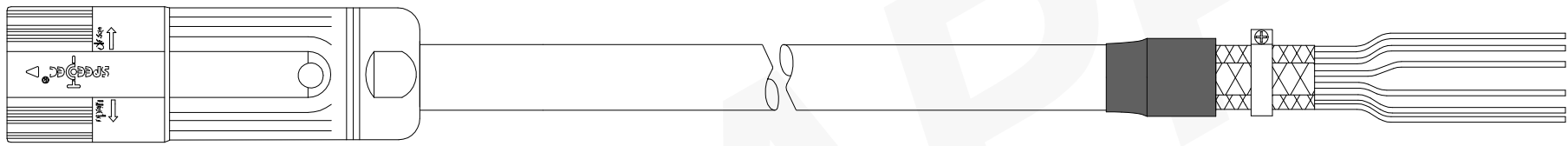


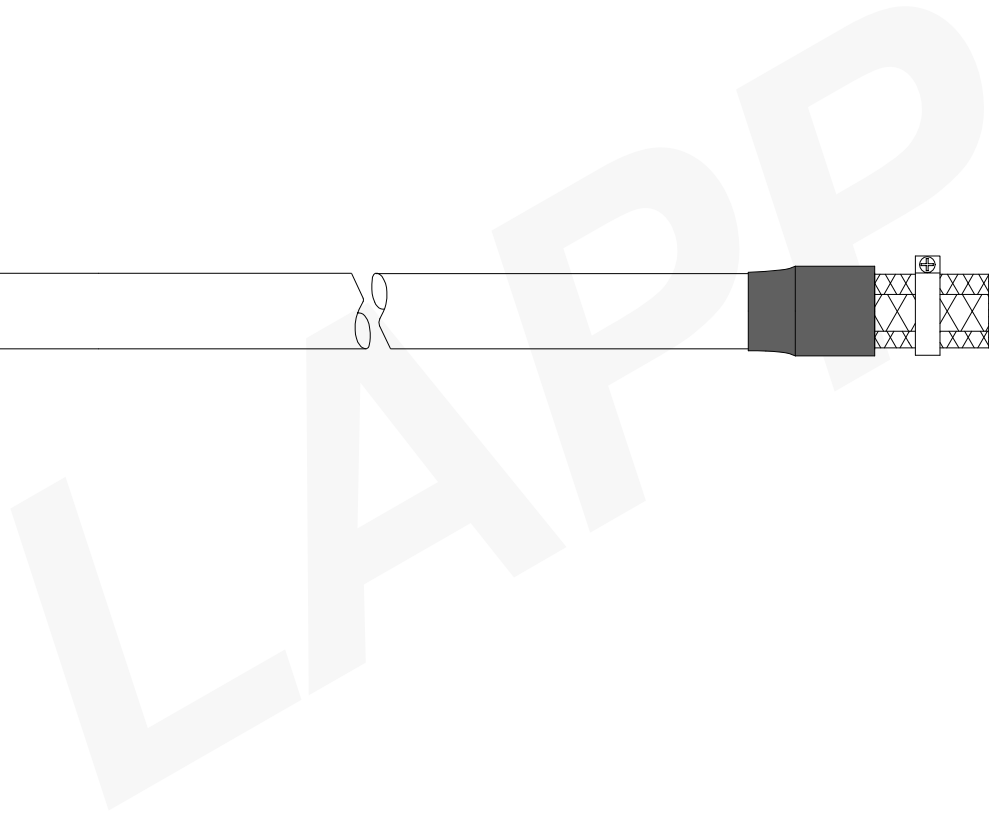
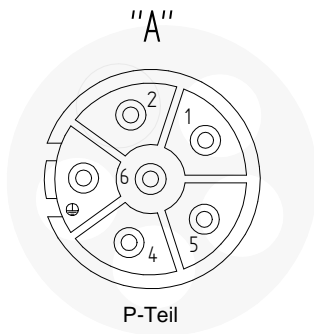
1 2 3 4 5 6 7 8

Ziel

Quelle



"A"
→



				edit	Date	Name	 LAPP Lapp Systems GmbH Oskar Lapp Strasse 5 70565 Stuttgart www.lappsystems.lappgroup.com	Project	Drawingnumber Customer	Partnumber Customer	
			check.	18.11.2015	jaqr1	Siemens		5DG10	Format DIN A4		
			verify.	13.01.2016	flst1	Description		Übersicht	All measurements in millimetre Unless otherwise indicated, based on DIN47101		
Rev.	Modification	Date	Name			Prep. for		Partnumber.	54701xx122	Sheet.	1/3
1		2		3		4		5	6	7	8