

1                      2                      3                      4                      5                      6                      7                      8

Ziel

Quelle

A

A

B

B

C

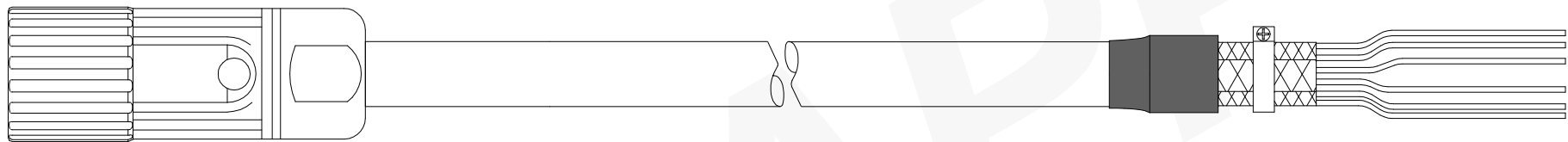
C

D

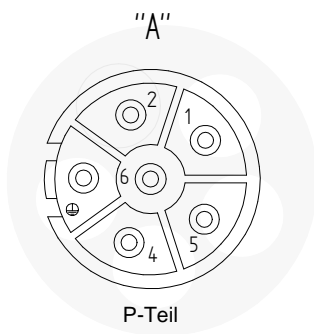
D

E

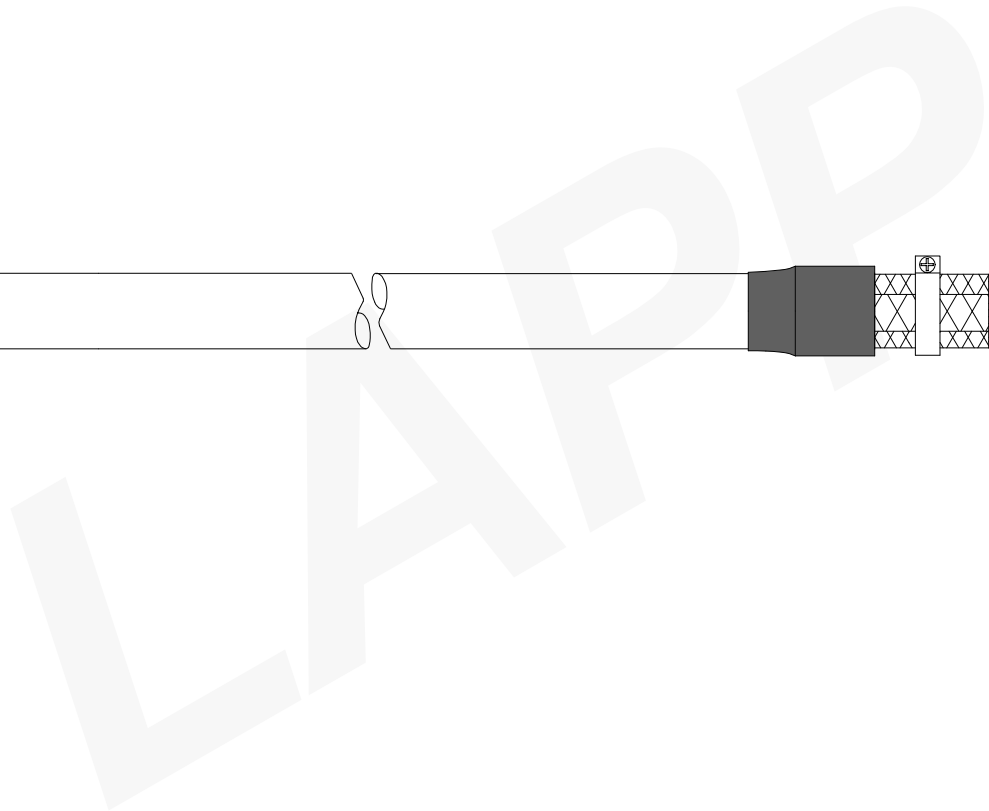
E



"A"  
→



P-Teil



				Date	Name	 <b>LAPP</b> Lapp Systems GmbH Oskar Lapp Strasse 5 70565 Stuttgart www.lappsystems.lappgroup.com	Project	Drawingnumber Customer	Partnumber Customer				
				edit 18.11.2015	jaqr1		Siemens	5DG11					
				check. 12.01.2016	flst1		Description	Übersicht	Format DIN A4				
				verify.			GA-GAMF-FxKC-9999-0000-0000	Partnumber.	All measurements in millimetre				
Rev.	Modification	Date	Name			Prep. for	6FXx002-5DG11	54701xx123	Unless otherwise indicated, based on DIN47101				
1		2		3		4	5	6	7	Sheet. 1/3			

1                      2                      3                      4                      5                      6                      7                      8