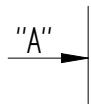
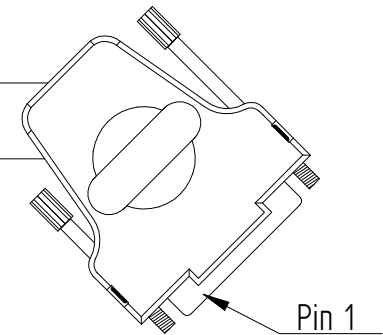
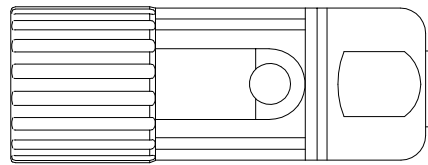


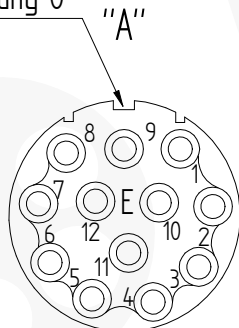
1 2 3 4 5 6 7 8

Ziel

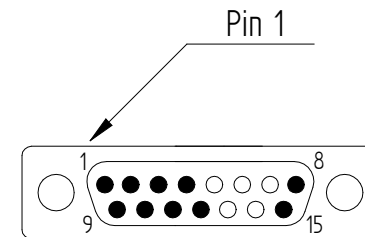
Quelle



Codierung 0° "A"



E-Teil



A
B
C
D
E

A
B
C
D
E

				Date	Name	 LAPP Lapp Systems GmbH Oskar Lapp Strasse 5 70565 Stuttgart www.lappsystems.lappgroup.com	Project	Drawingnumber Customer	Partnumber Customer
				edit	jagr1		SEW	13621998	Format DIN A4
				check.	bolj1		Description	Übersicht	
				verify.		www.lappsystems.lappgroup.com	GC-EAML-DxEG-UDMN-0000-0000	Partnumber.	All measurements in millimetre Unless otherwise indicated, based on DIN47101
Rev.	Modification	Date	Name	Prep. for	Prep. by		54703xx104	Sheet	1/3
1		2		3	4		6	7	8