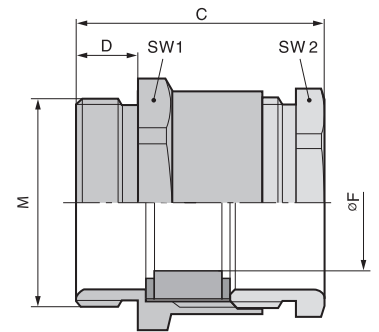




SKINDICHT® SVF-M



Benefits

- Lateral sealing lips fit automatically around various cable dimensions
- Cable-specific seal dimensions are no longer necessary
- Large opening allows clamping of up to two flat cables
- Optimum strain relief
- Tolerance

Application range

- For inserting flat cables
- Control cabinet manufacturing
- Conveyor systems
- Pumps
- Lifts

Product Make-up

- Metric connection thread acc. to DIN EN 60423
- Basis for technical information DIN IEC 62444

Note

- For suitable flat cables, refer to ÖLFLEX® LIFT F for indoor applications or ÖLFLEX® CRANE F for outdoor applications
- Counter nut to be used: SKINDICHT® SM-M

Technical data

- Classification ETIM 5/6**
ETIM 5.0/6.0 Class-ID: EC000441
ETIM 5.0/6.0 Class-Description: Cable screw gland
- Caution**
The installation dimensions can be found in appendix T21
- Material**
Body: nickel-plated brass
Seal: CR
- Protection rating**
IP 54
- Temperature range**
-30°C to +100°C

Article number	Article designation / size	Min./max. flat cable width	Function thread PG	Min./max. cable thickness (mm)	Overall length, C (mm)	Thread length, D (mm)	Pieces / PU
SKINDICHT® SVF-M							
52107320	M 20 x 1,5	- / 15.0	16	- / 5	27.0	6	25
52107340	M 25 x 1,5	9.0 / 20.0	21	3 / 8	30.5	7	25
52107350	M 32 x 1,5	14.0 / 27.0	29	4 / 11	32.0	8	10
52107360	M 40 x 1,5	24.0 / 34.0	36	4 / 11	35.0	8	10
52107370	M 50 x 1,5	29.0 / 44.0	42	5 / 12	40.0	9	5
52107380	M 63 x 1,5	34.0 / 50.0	48	5 / 12	42.0	10	5

Photographs and graphics are not to scale and do not represent detailed images of the respective products.

Accessories

- SKINDICHT® SM-M refer to page 744