

REVOS EX · 90 V CONTACT INSERTS

Screw connection



6-pole + ground
Size 6



10-pole + ground
Size 10



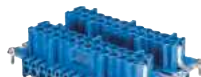
16-pole + ground
Size 16



24-pole + ground
Size 24



48-pole + ground
Size 48



Description	Type	Part No.	P.U.
Contact inserts revosEX 90 V			
6-pole + ground			
Male insert	EX STS 6 2,5 09IA	72.310.0653.9	10
Female insert	EX BUS 6 2,5 09IA	72.300.0653.9	10
Male insert, Au	EX STS 6 2,5 09IA AU	72.311.0653.9	10
Female insert, Au	EX BUS 6 2,5 09IA AU	72.301.0653.9	10
Contact inserts revosEX 90 V			
10-pole + ground			
Male insert	EX STS 10 2,5 09IA	72.310.1053.9	10
Female insert	EX BUS 10 2,5 09IA	72.300.1053.9	10
Male insert, Au	EX STS 10 2,5 09IA AU	72.311.1053.9	10
Female insert, Au	EX BUS 10 2,5 09IA AU	72.301.1053.9	10
Contact inserts revosEX 90 V			
16-pole + ground			
Male insert	EX STS 16 2,5 09IA	72.310.1653.9	10
Female insert	EX BUS 16 2,5 09IA	72.300.1653.9	10
Male insert, Au	EX STS 16 2,5 09IA AU	72.311.1653.9	10
Female insert, Au	EX BUS 16 2,5 09IA AU	72.301.1653.9	10
Contact inserts revosEX 90 V			
24-pole + ground			
Male insert	EX STS 24 2,5 09IA	72.310.2453.9	10
Female insert	EX BUS 24 2,5 09IA	72.300.2453.9	10
Male insert, Au	EX STS 24 2,5 09IA AU	72.311.2453.9	10
Female insert, Au	EX BUS 24 2,5 09IA AU	72.301.2453.9	10
Contact inserts revosEX 90 V			
48-pole + ground			
Male insert with wire protection, marked 1-24, 25-48	EX STS 48 2,5 09IA	72.310.4853.9	5
Female insert with wire protection, marked 1-24, 25-48	EX BUS 48 2,5 09IA	72.300.4853.9	5

TECHNICAL DATA

Rated voltage	90 V
Rated voltage according to UL/CSA	-
Rated impulse voltage	-
Rated current	Dependent on the wire cross section*)
Degree of pollution	3

Rated cross section

EN 60999	0.5 – 2.5 mm ²
----------	---------------------------

Contacts

Material	Copper alloy
Surface	Sn, Au
Insulation strip length	7 mm
Contact resistance	≤ 1.5 mΩ
Mating cycles	Sn 200 / Au 500

Screws

	head design / recomm. torque
Mounting screws	H1 / 0.5 – 0.7 Nm
Clamping screws	H1 / 0.5 – 0.7 Nm
Ground conductor screws	H2 / 1.2 – 1.6 Nm
Temperature range	-20 °C...+60 °C

Housing revosEX	Type	Page
Size	6Ex	262–265
Size	10Ex	266–269
Size	16Ex	270–273
Size	24Ex	274–277
Size	48Ex	278–281

See section "FACTS & DATA" for handling and assembly of the multipole connectors.

⊕ I M1 Ex ia I

BVS 03 ATEX E 184 X

EN 60079-0:2006 EN 60079-11:2007 EN 50303:2000

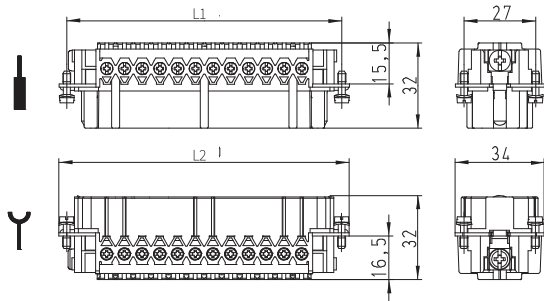
Special conditions for safe use:

1. The heavy duty connectors must be attached to a device in such a way that a minimum protection rating of IP54 is maintained in accordance with EN 60529.
2. The heavy duty connectors can be used in an ambient temperature ranges from -20 °C to +60 °C.

Wire cross section: 0.5 mm² – 2.5 mm²

DIMENSIONS

6-pole + ground – 48-pole + ground

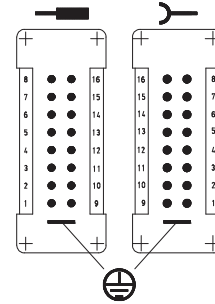
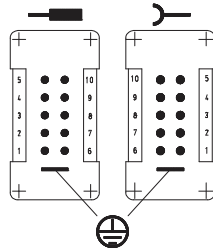
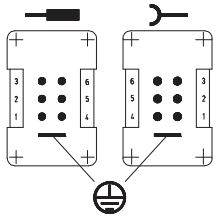


Number of poles	L1 [mm]	L2 [mm]
6	44.0	50.0
10	57.0	63.0
16	77.5	83.0
24	104.0	110.0
48	104.0	110.0

6-pole + ground

10-pole + ground

16-pole + ground



24-pole + ground

48-pole + ground

