

REVOS · HOODS

Size 10Ex, double locking lever



Lateral cable entry



Top cable entry

Multipole connectors for cable-to-cable couplings with Locking levers and gasket



Lateral cable entry



Top cable entry

Description	Type	M	Part No.	P.U.
Hoods, size 10Ex	Housing, die cast zinc alloy			
Lateral cable entry M20				
with threaded collar	EX GOT GA 10 M20 09IA Z1	20	70.350.1036.1	1
with strain relief, IP54 → Ø ← 9 – 13.5 mm	EX GOT GA 10 M20 09IA Z3	20	70.350.1036.3	1
Lateral cable entry M25				
with threaded collar	EX GOT GA 10 M25 09IA Z1	25	70.353.1036.1	1
with strain relief, IP54 → Ø ← 14 – 20 mm	EX GOT GA 10 M25 09IA Z3	25	70.353.1036.3	1
Top cable entry M20				
with threaded collar	EX GOT GC 10 M20 09IA Z1	20	70.352.1036.1	1
with strain relief, IP54 → Ø ← 9 – 13.5 mm	EX GOT GC 10 M20 09IA Z3	20	70.352.1036.3	1
Top cable entry M25				
with threaded collar	EX GOT GC 10 M25 09IA Z1	25	70.354.1036.1	1
with strain relief, IP54 → Ø ← 14 – 20 mm	EX GOT GC 10 M25 09IA Z3	25	70.354.1036.3	1
90 V Hoods, size 10Ex				
with Locking levers without gasket				
Lateral cable entry M20				
with threaded collar, with Locking levers	EX GOT GD 10 M20 09IA Z1	20	70.355.1036.1	1
with strain relief, IP54 → Ø ← 9 – 13.5 mm, with Locking levers	EX GOT GD 10 M20 09IA Z3	20	70.355.1036.3	1
Lateral cable entry M25				
with strain relief, IP54 → Ø ← 14 – 20 mm, with Locking levers	EX GOT GD 10 M25 09IA Z3	25	70.358.1036.3	1
Top cable entry M20				
with strain relief, IP54 → Ø ← 9 – 13.5 mm, with Locking levers	EX GOT GC 10 M20 09IA Z3	20	70.357.1036.3	1
Top cable entry M25				
with threaded collar, with Locking levers	EX GOT GF 10 M25 09IA Z1	25	70.359.1036.1	1
with strain relief, IP54 → Ø ← 14 – 20 mm, with Locking levers	EX GOT GF 10 M25 09IA Z3	25	70.359.1036.3	1
Multipole connectors for cable-to-cable couplings with Locking levers and gasket				
Lateral cable entry M20				
with strain relief, IP54 → Ø ← 9 – 13.5 mm	EX GOT GS 10 M20 09IA Z4	20	99.733.3329.7	8
Lateral cable entry M25				
with strain relief, IP54 → Ø ← 14 – 20 mm	EX GOT GS 10 M25 09IA Z4	25	99.734.3329.7	1
Top cable entry M20				
with strain relief, IP54 → Ø ← 9 – 13.5 mm	EX GOT GP 10 M20 09IA Z4	20	99.743.3329.7	8
Top cable entry M25				
with strain relief, IP54 → Ø ← 14 – 20 mm	EX GOT GP 10 M25 09IA Z4	25	99.744.3329.7	8

TECHNICAL DATA

Material	Die cast zinc alloy
Surface	powder coated, light blue
Locking levers	zinc-plated steel
Gasket	NBR
Degree of protection	
with latched locking levers	IP54
with appropriate cable glands	IP65
Temperature range	-20 °C...+60 °C

Contact inserts see the product matrix

Page 26–27

Special conditions for safe use:

1. The heavy duty connectors must be attached to a device in such a way that a minimum protection rating of IP54 is maintained in accordance with EN 60529.
2. The plug connectors can be used in an ambient temperature ranges of -20 °C to +60 °C.

See section "FACTS&DATA" for handling and assembly of the multipole connectors.

 I M1 Ex ia I

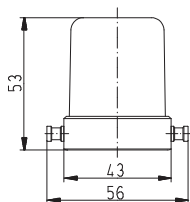
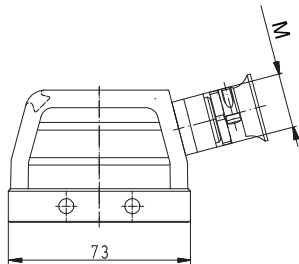
EN 60079-0:2006 EN 60079-11:2007 EN 50303:2000

For assembly instructions, see page 320 and 325.

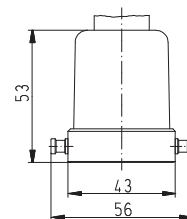
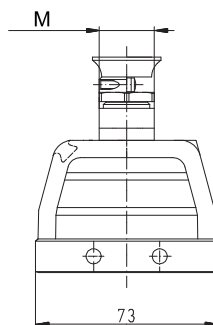
DIMENSIONS

Hoods

Lateral cable entry

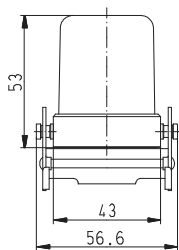
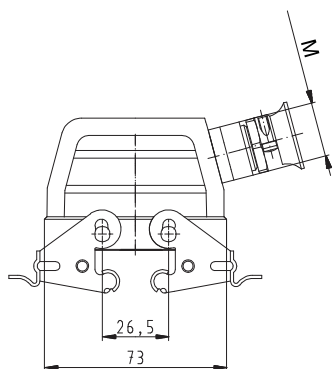


Top cable entry



Multipole connectors for cable-to-cable couplings with Locking levers and gasket

Lateral cable entry



Top cable entry

