

REVOS · HOODS

Size 24Ex, double locking lever



Lateral cable entry



Top cable entry

Multipole connectors for cable-to-cable couplings with Locking levers and gasket



Lateral cable entry



Top cable entry

Description	Type	M	Part No.	P.U.
Hoods, size 24Ex	Housing, die cast zinc alloy			
Lateral cable entry M25				
with threaded collar	EX GOT GA 24 M25 09IA Z1	25	70.350.2436.1	1
with strain relief, IP54	EX GOT GA 24 M25 09IA Z3	25	70.350.2436.3	1
→ Ø ← 14 – 20 mm				
Lateral cable entry M32				
with threaded collar	EX GOT GA 24 M32 09IA Z1	32	70.353.2436.1	1
with strain relief, IP54	EX GOT GA 24 M32 09IA Z3	32	70.353.2436.3	1
→ Ø ← 21 – 28.5 mm				
Top cable entry M25				
with threaded collar	EX GOT GC 24 M25 09IA Z1	25	70.352.2436.1	1
with strain relief, IP54	EX GOT GC 24 M25 09IA Z3	25	70.352.2436.3	1
→ Ø ← 14 – 20 mm				
Top cable entry M32				
with threaded collar	EX GOT GC 24 M32 09IA Z1	32	70.354.2436.1	1
with strain relief, IP54	EX GOT GC 24 M32 09IA Z3	32	70.354.2436.3	1
→ Ø ← 21 – 28.5 mm				
90 V Hoods, size 24Ex				
with Locking levers without gasket				
Lateral cable entry M25				
with threaded collar, with Locking levers	EX GOT GD 24 M25 09IA Z1	25	70.355.2436.1	1
with strain relief, IP54	EX GOT GD 24 M25 09IA Z3	25	70.355.2436.3	1
→ Ø ← 14 – 20 mm, with Locking levers				
Lateral cable entry M32				
with threaded collar, with Locking levers	EX GOT GD 24 M32 09IA Z1	32	70.358.2436.1	1
with strain relief, IP54	EX GOT GD 24 M32 09IA Z3	32	70.358.2436.3	1
→ Ø ← 21 – 28.5 mm, with Locking levers				
Top cable entry M25				
with threaded collar, with Locking levers	EX GOT GF 24 M25 09IA Z1	25	70.357.2436.1	1
with strain relief, IP54	EX GOT GC 24 M25 09IA Z3	25	70.357.2436.3	1
→ Ø ← 14 – 20 mm, with Locking levers				
Top cable entry M32				
with threaded collar, with Locking levers	EX GOT GF 24 M32 09IA Z1	32	70.359.2436.1	1
with strain relief, IP54	EX GOT GF 24 M32 09IA Z3	32	70.359.2436.3	1
→ Ø ← 21 – 28.5 mm, with Locking levers				
Multipole connectors for cable-to-cable couplings with Locking levers and gasket				
Lateral cable entry M25				
with strain relief, IP54	EX GOT GS 24 M25 09IA Z4	25	99.737.3329.7	5
→ Ø ← 14 – 20 mm				
Lateral cable entry M32				
with strain relief, IP54	EX GOT GS 24 M32 09IA Z4	32	99.738.3329.7	5
→ Ø ← 21 – 28.5 mm				
Top cable entry M25				
with strain relief, IP54	EX GOT GR 24 M25 09IA Z4	25	99.747.3329.7	4
→ Ø ← 14 – 20 mm				
Top cable entry M32				
with strain relief, IP54	EX GOT GR 24 M32 09IA Z4	32	99.748.3329.7	4
→ Ø ← 21 – 28.5 mm				
TECHNICAL DATA				
Material metal/plastic	Die cast zinc alloy/Cover Polyamide			
Surface	powder coated, light blue			
Locking levers	zinc-plated steel			
Gasket	NBR			
Degree of protection				
with latched locking levers	IP54			
with appropriate cable glands	IP65			
Temperature range	-20 °C...+60 °C			
Contact inserts	see the product matrix			Page 26–27

Special conditions for safe use:

1. The heavy duty connectors must be attached to a device in such a way that a minimum protection rating of IP54 is maintained in accordance with EN 60529.
2. The plug connectors can be used in an ambient temperature ranges of -20 °C to +60 °C.

See section "FACTS&DATA" for handling and assembly of the multipole connectors.

 I M1 Ex ia I

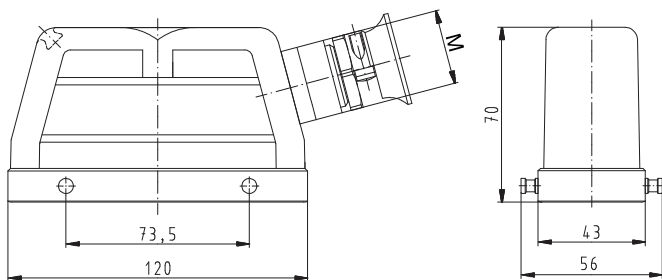
EN 60079-0:2006 EN 60079-11:2007 EN 50303:2000

For assembly instructions, see page 320 and 325.

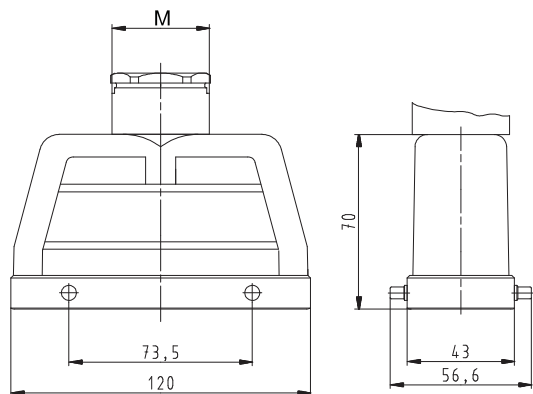
DIMENSIONS

Hoods

Lateral cable entry

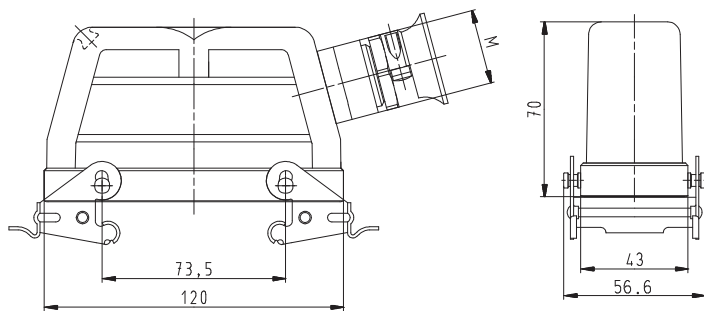


Top cable entry



Multipole connectors for cable-to-cable couplings with Locking levers and gasket

Lateral cable entry



Top cable entry

