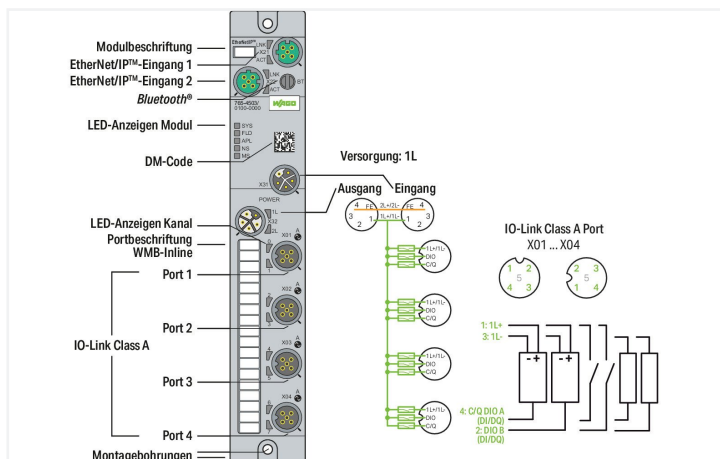


Data Sheet | Item Number: 765-4503/100-000
4-Port IO-Link Master Class A; EtherNet/IP; DC 24 V / 2.0 A; 4xM12 connection;
SlimLine

<https://www.wago.com/765-4503/100-000>



Application area:

Decentralized processing of digital and IO-Link signals

This device controls IO-Link-capable digital field devices (e.g., actuators and hubs) and records digital signals from IO-Link-capable field devices (e.g., sensors and hubs) that are sent or received by a higher-level controller.

The device is designed as a Class A master and offers four IO-Link ports or 8 digital inputs/outputs.

IO-Link:

The device has several IO-Link communication interfaces for interoperation with IO-Link devices.

The IO-Link interface enables direct access to the process and diagnostic data and allows the parameters of the connected devices to be set during operation.

The IODD can also be downloaded via IODDfinder (<https://ioddfinder.io-link.com>).

Technical data

Fieldbus		Device functions	
Communications	EtherNet/IP™ BOOTP, DHCP, DLR	Parameter	Input filter Output current Temperature
Connection technology: communication/ fieldbus	2 x D-coded M12; 4-pole	Diagnostics	Undervoltage; overcurrent; overload; overtemperature
Interface standard	10BASE-T/100BASE-TX; potential-free	Device functions	Bluetooth® OPC UA server
Autonegotiation; autocrossover	Yes	Visualization	Android/iOS app Web server

IO-Link master

IO-Link master classification	Class A; V1.1 specification
Port-Modus	IO-Link: autoconfig, manual, tool-based DI DO
Cycle time	400 µs (min.)
Operating mode	IO-Link master, DI or DO (adjustable for pin 4 per port); DI or DO (adjustable for pin 2 per port)

IO-Link ports

Number of digital inputs	8
Number of digital outputs	8
Connection technology: inputs/outputs	4 x A-coded M12; 5-pole
Signal type (voltage)	24 VDC
Input characteristic	high-side switching Type 3, per IEC 61131-2
Input filter	0.2 ... 20 ms
Output current (per channel)	2 A (typ.) for DO
Supply current per port	1L: 1 A for IO-Link; 4 A (max.) for DIO

Supply (module)

Connection technology: supply	2 x L-coded M12; 5-pole
Supply voltage	24 VDC (18 ... 31.2 V); 1L
Current consumption (max.)	16000 mA
Current consumption (note)	per supply line; overload- and short-cir- cuit-protected
Reverse voltage protection	Yes

Physical data

Width	35 mm / 1.378 inches
Height	30 mm / 1.181 inches
Depth	210 mm / 8.268 inches

Mechanical data

Weight	380 g
Conformity marking	CE

Environmental requirements

Ambient temperature (operation)	-25 ... +70 °C
Ambient temperature (storage)	-40 ... +80 °C
Protection type	IP67
Protection class	III per EN 61140, IEC 61140, VDE 0140-1
Operating altitude	0 ... 2000 m / 0 ... 6562 ft
Pollution degree	3 (EN 60664-1)
Overvoltage category	II (EN 60664-1)
Relative humidity (without condensation)	95 %
Vibration resistance	5g per IEC 60068-2-6
Shock resistance	Short-term: 50g/11 ms/half-sine per IEC 60068-2-27; Long-term: 30g/6 ms/half-sine per IEC 60068-2-29
EMC immunity to interference	per EN 61000-6-2
EMC emission of interference	per EN 61000-6-4

Commercial data

ETIM 9.0	EC001601
ETIM 8.0	EC001601
PU (SPU)	1 pcs
Packaging type	Box
Country of origin	DE
GTIN	4066966063219
Customs tariff number	85371098990

Environmental Product Compliance

RoHS Compliance Status	Compliant, No Exemption
------------------------	-------------------------

Approvals / Certificates

General approvals



Approval	Standard	Certificate Name
EAC GZO Almaty Standart	TP TC 020/2011	EAC CoC 03083
KC National Radio Research Agency	Article 58-2, Clause 3	KC R-R-W43-FB765
UL Underwriters Laboratories Inc. (ORDINARY LOCATIONS)	-	E175199

Downloads

Environmental Product Compliance

Compliance Search
Environmental Product Compliance 765-4503/100-000

Documentation

Manual			
Product Manual 4-Port IO-Link Master Class A; EtherNet/IP	V 2.0.0 19.07.2022	pdf 8461.21 KB	↓

System Description		
WAGO I/O System Field; General Product Information	pdf 1009.23 KB	↓

Instruction Leaflet			
I/O System Field package insert	15.12.2021	pdf 1083.98 KB	↓

CAD/CAE-Data

CAD data

2D/3D Models
765-4503/100-000 

CAE data

EPLAN Data Portal
765-4503/100-000 



Runtime Software

Firmware

0765-x5xx, Ethernet/IP IO-Field	V 04 02.02.2023	zip 1546.91 KB	
---------------------------------	--------------------	-------------------	---

Libraries

Device Description File

750-915; EDS-Dateien for EthernetIP / Serie 750, 765 and 767	12 09.07.2021	zip 164.42 KB	
Gerätebeschreibungsdateien 765-45xx, 765-15xx, EtherNet/IP	V1_1_0_22	zip 74.02 KB	

1 Compatible Products

1.1 Required Accessories

1.1.1 Cover

1.1.1.1 Cover



[Item No.: 756-8103](#)
M12 protective cap; for unused plugs

[Item No.: 756-8102](#)
M12 protective cap; for unused sockets

1.1.2 Marking

1.1.2.1 Marker



[Item No.: 2009-115](#)
WMB-Inline; for Smart Printer; 1500 pieces on roll; stretchable 5 - 5.2 mm; plain; snap-on type; white

1.1.2.2 Marking strip



[Item No.: 2009-110](#)
Marking strips; for Smart Printer; on reel; not stretchable; plain; snap-on type; white

1.1.3 Tool

1.1.3.1 Assembly tool



Item No.: 206-701

Torque wrench M8 and M12; Assembly kit

1.2 Optional Accessories

1.2.1 Cables and connectors

1.2.1.1 Configurable Connector



Item No.: 756-9205/040-000

Fitted pluggable connector; 4-pole; M12 plug, right angle; Spring



Item No.: 756-9202/040-000

Fitted pluggable connector; 4-pole; M12 plug, straight, A-coded; Spring



Item No.: 756-9701/040-000

Fitted pluggable connector; 5-pole, shielded; M12 plug, straight; IDC technology



Item No.: 756-9711/040-000

Fitted pluggable connector; 5-pole, shielded; M12 socket, straight; IDC technology

1.2.1.2 Configurable Shielded Connector



Item No.: 756-9501/040-000

Accessories; M12 plug, right angle; 4-pole



Item No.: 756-9501/060-000

Fitted pluggable connector; 4-pole, shielded; M12 plug, straight, D-coded; Spring

1.2.1.3 Distribution connector



Item No.: 756-9301/040-000

Accessories; 4-pole



Item No.: 756-9301/050-000

Accessories; 5-pole



Item No.: 756-5517/040-010

Sensor/Actuator cable; 2xM12 socket; angled; M12A plug; straight; 4-pole; Length: 1 m



Item No.: 756-5517/040-020

Sensor/Actuator cable; 2xM12 socket; angled; M12A plug; straight; 4-pole; Length: 2 m



Item No.: 756-5516/040-010

Sensor/Actuator cable; 2xM12 socket; straight; M12A plug; straight; 4-pole; Length: 1 m



Item No.: 756-5516/040-020

Sensor/Actuator cable; 2xM12 socket; straight; M12A plug; straight; 4-pole; Length: 2 m



Item No.: 756-5514/040-010

Sensor/Actuator cable; 2xM8 socket; angled; M12A plug; straight; 4-pole; Length: 1 m



Item No.: 756-5514/040-020

Sensor/Actuator cable; 2xM8 socket; angled; M12A plug; straight; 4-pole; Length: 2 m



Item No.: 756-5513/040-010

Sensor/Actuator cable; 2xM8 socket; straight; M12A plug; straight; 4-pole; Length: 1 m



Item No.: 756-5513/040-020

Sensor/Actuator cable; 2xM8 socket; straight; M12A plug; straight; 4-pole; Length: 2 m

1.2.1.4 ETHERNET/PROFINET cable



Item No.: 756-1202/060-100

ETHERNET cable; M12D plug; angled; 4-pole; Length: 10 m



Item No.: 756-1202/060-020

ETHERNET cable; M12D plug; angled; 4-pole; Length: 2 m



Item No.: 756-1202/060-200

ETHERNET cable; M12D plug; angled; 4-pole; Length: 20 m



Item No.: 756-1202/060-050

ETHERNET cable; M12D plug; angled; 4-pole; Length: 5 m



Item No.: 756-1204/060-010

ETHERNET cable; M12D plug; angled; M12D plug; angled; 4-pole; Length: 1 m



Item No.: 756-1204/060-100

ETHERNET cable; M12D plug; angled; M12D plug; angled; 4-pole; Length: 10 m



Item No.: 756-1204/060-020

ETHERNET cable; M12D plug; angled; M12D plug; angled; 4-pole; Length: 2 m



Item No.: 756-1204/060-200

ETHERNET cable; M12D plug; angled; M12D plug; angled; 4-pole; Length: 20 m

1.2.1.4 ETHERNET/PROFINET cable



Item No.: 756-1204/060-030
ETHERNET cable; M12D plug; angled; M12D plug; angled; 4-pole; Length: 3 m

Item No.: 756-1204/060-050
ETHERNET cable; M12D plug; angled; M12D plug; angled; 4-pole; Length: 5 m

Item No.: 756-1201/060-100
ETHERNET cable; M12D plug; straight; 4-pole; Length: 10 m

Item No.: 756-1201/060-020
ETHERNET cable; M12D plug; straight; 4-pole; Length: 2 m



Item No.: 756-1201/060-200
ETHERNET cable; M12D plug; straight; 4-pole; Length: 20 m

Item No.: 756-1201/060-050
ETHERNET cable; M12D plug; straight; 4-pole; Length: 5 m

Item No.: 756-1203/060-100
ETHERNET cable; M12D plug; straight; M12D plug; straight; 4-pole; Length: 10 m

Item No.: 756-1203/060-020
ETHERNET cable; M12D plug; straight; M12D plug; straight; 4-pole; Length: 2 m



Item No.: 756-1203/060-200
ETHERNET cable; M12D plug; straight; M12D plug; straight; 4-pole; Length: 20 m

Item No.: 756-1203/060-050
ETHERNET cable; M12D plug; straight; M12D plug; straight; 4-pole; Length: 5 m

1.2.1.5 Power cable



Item No.: 756-3504/050-100
Power cable; M12L plug; angled; 5-pole; Length: 10 m

Item No.: 756-3514/050-100
Power cable; M12L plug; angled; 5-pole; Length: 10 m

Item No.: 756-3504/050-150
Power cable; M12L plug; angled; 5-pole; Length: 15 m

Item No.: 756-3514/050-150
Power cable; M12L plug; angled; 5-pole; Length: 15 m



Item No.: 756-3504/050-020
Power cable; M12L plug; angled; 5-pole; Length: 2 m

Item No.: 756-3504/050-050
Power cable; M12L plug; angled; 5-pole; Length: 5 m

Item No.: 756-3514/050-050
Power cable; M12L plug; angled; 5-pole; Length: 5 m

Item No.: 756-3504/050-075
Power cable; M12L plug; angled; 5-pole; Length: 7.5 m



Item No.: 756-3514/050-075
Power cable; M12L plug; angled; 5-pole; Length: 7.5 m

Item No.: 756-3503/050-100
Power cable; M12L plug; straight; 5-pole; Length: 10 m

Item No.: 756-3513/050-100
Power cable; M12L plug; straight; 5-pole; Length: 10 m

Item No.: 756-3503/050-150
Power cable; M12L plug; straight; 5-pole; Length: 15 m



Item No.: 756-3513/050-150
Power cable; M12L plug; straight; 5-pole; Length: 15 m

Item No.: 756-3503/050-020
Power cable; M12L plug; straight; 5-pole; Length: 2 m

Item No.: 756-3513/050-020
Power cable; M12L plug; straight; 5-pole; Length: 2 m

Item No.: 756-3503/050-050
Power cable; M12L plug; straight; 5-pole; Length: 5 m



Item No.: 756-3513/050-050
Power cable; M12L plug; straight; 5-pole; Length: 5 m

Item No.: 756-3503/050-075
Power cable; M12L plug; straight; 5-pole; Length: 7.5 m

Item No.: 756-3513/050-075
Power cable; M12L plug; straight; 5-pole; Length: 7.5 m

Item No.: 756-3502/050-100
Power cable; M12L socket; angled; 5-pole; Length: 10 m



Item No.: 756-3512/050-100
Power cable; M12L socket; angled; 5-pole; Length: 10 m

Item No.: 756-3502/050-150
Power cable; M12L socket; angled; 5-pole; Length: 15 m

Item No.: 756-3512/050-150
Power cable; M12L socket; angled; 5-pole; Length: 15 m

Item No.: 756-3502/050-020
Power cable; M12L socket; angled; 5-pole; Length: 2 m



Item No.: 756-3512/050-020
Power cable; M12L socket; angled; 5-pole; Length: 2 m

Item No.: 756-3502/050-050
Power cable; M12L socket; angled; 5-pole; Length: 5 m

Item No.: 756-3512/050-050
Power cable; M12L socket; angled; 5-pole; Length: 5 m

Item No.: 756-3502/050-075
Power cable; M12L socket; angled; 5-pole; Length: 7.5 m



Item No.: 756-3512/050-075
Power cable; M12L socket; angled; 5-pole; Length: 7.5 m

Item No.: 756-3506/050-003
Power cable; M12L socket; angled; M12L plug; angled; 5-pole; Length: 0.3 m

Item No.: 756-3506/050-005
Power cable; M12L socket; angled; M12L plug; angled; 5-pole; Length: 0.5 m

Item No.: 756-3516/050-005
Power cable; M12L socket; angled; M12L plug; angled; 5-pole; Length: 0.5 m



Item No.: 756-3506/050-010
Power cable; M12L socket; angled; M12L plug; angled; 5-pole; Length: 1 m

Item No.: 756-3516/050-010
Power cable; M12L socket; angled; M12L plug; angled; 5-pole; Length: 1 m

Item No.: 756-3506/050-100
Power cable; M12L socket; angled; M12L plug; angled; 5-pole; Length: 10 m

Item No.: 756-3516/050-100
Power cable; M12L socket; angled; M12L plug; angled; 5-pole; Length: 10 m

1.2.1.5 Power cable



Item No.: 756-3506/050-150
Power cable; M12L socket; angled; M12L plug; angled; 5-pole; Length: 15 m



Item No.: 756-3506/050-020
Power cable; M12L socket; angled; M12L plug; angled; 5-pole; Length: 2 m



Item No.: 756-3516/050-020
Power cable; M12L socket; angled; M12L plug; angled; 5-pole; Length: 2 m



Item No.: 756-3516/050-200
Power cable; M12L socket; angled; M12L plug; angled; 5-pole; Length: 20 m



Item No.: 756-3516/050-400
Power cable; M12L socket; angled; M12L plug; angled; 5-pole; Length: 40 m



Item No.: 756-3506/050-050
Power cable; M12L socket; angled; M12L plug; angled; 5-pole; Length: 5 m



Item No.: 756-3516/050-050
Power cable; M12L socket; angled; M12L plug; angled; 5-pole; Length: 5 m



Item No.: 756-3506/050-075
Power cable; M12L socket; angled; M12L plug; angled; 5-pole; Length: 7.5 m



Item No.: 756-3516/050-075
Power cable; M12L socket; angled; M12L plug; angled; 5-pole; Length: 7.5 m



Item No.: 756-3501/050-100
Power cable; M12L socket; straight; 5-pole; Length: 10 m



Item No.: 756-3511/050-100
Power cable; M12L socket; straight; 5-pole; Length: 10 m



Item No.: 756-3501/050-150
Power cable; M12L socket; straight; 5-pole; Length: 15 m



Item No.: 756-3511/050-150
Power cable; M12L socket; straight; 5-pole; Length: 15 m



Item No.: 756-3501/050-020
Power cable; M12L socket; straight; 5-pole; Length: 2 m



Item No.: 756-3511/050-020
Power cable; M12L socket; straight; 5-pole; Length: 2 m



Item No.: 756-3501/050-050
Power cable; M12L socket; straight; 5-pole; Length: 5 m



Item No.: 756-3511/050-050
Power cable; M12L socket; straight; 5-pole; Length: 5 m



Item No.: 756-3501/050-075
Power cable; M12L socket; straight; 5-pole; Length: 7.5 m



Item No.: 756-3511/050-075
Power cable; M12L socket; straight; 5-pole; Length: 7.5 m



Item No.: 756-3505/050-003
Power cable; M12L socket; straight; M12L plug; straight; 5-pole; Length: 0.3 m



Item No.: 756-3505/050-005
Power cable; M12L socket; straight; M12L plug; straight; 5-pole; Length: 0.5 m



Item No.: 756-3515/050-005
Power cable; M12L socket; straight; M12L plug; straight; 5-pole; Length: 0.5 m



Item No.: 756-3505/050-010
Power cable; M12L socket; straight; M12L plug; straight; 5-pole; Length: 1 m



Item No.: 756-3515/050-010
Power cable; M12L socket; straight; M12L plug; straight; 5-pole; Length: 1 m



Item No.: 756-3505/050-100
Power cable; M12L socket; straight; M12L plug; straight; 5-pole; Length: 10 m



Item No.: 756-3515/050-100
Power cable; M12L socket; straight; M12L plug; straight; 5-pole; Length: 10 m



Item No.: 756-3505/050-150
Power cable; M12L socket; straight; M12L plug; straight; 5-pole; Length: 15 m



Item No.: 756-3505/050-020
Power cable; M12L socket; straight; M12L plug; straight; 5-pole; Length: 2 m



Item No.: 756-3515/050-020
Power cable; M12L socket; straight; M12L plug; straight; 5-pole; Length: 2 m



Item No.: 756-3515/050-200
Power cable; M12L socket; straight; M12L plug; straight; 5-pole; Length: 20 m



Item No.: 756-3515/050-300
Power cable; M12L socket; straight; M12L plug; straight; 5-pole; Length: 30 m



Item No.: 756-3515/050-400
Power cable; M12L socket; straight; M12L plug; straight; 5-pole; Length: 40 m



Item No.: 756-3505/050-050
Power cable; M12L socket; straight; M12L plug; straight; 5-pole; Length: 5 m



Item No.: 756-3515/050-050
Power cable; M12L socket; straight; M12L plug; straight; 5-pole; Length: 5 m



Item No.: 756-3505/050-075
Power cable; M12L socket; straight; M12L plug; straight; 5-pole; Length: 7.5 m



Item No.: 756-3515/050-075
Power cable; M12L socket; straight; M12L plug; straight; 5-pole; Length: 7.5 m

1.2.1.6 Sensor/actuator cable



Item No.: 756-5312/040-015
Sensor/Actuator cable; M12A plug; angled; 4-pole; Length: 1.5 m



Item No.: 756-5312/040-100
Sensor/Actuator cable; M12A plug; angled; 4-pole; Length: 10 m



Item No.: 756-5312/040-050
Sensor/Actuator cable; M12A plug; angled; 4-pole; Length: 5 m



Item No.: 756-5311/040-015
Sensor/Actuator cable; M12A plug; straight; 4-pole; Length: 1.5 m



Item No.: 756-5311/040-100
Sensor/Actuator cable; M12A plug; straight; 4-pole; Length: 10 m



Item No.: 756-5311/040-050
Sensor/Actuator cable; M12A plug; straight; 4-pole; Length: 5 m



Item No.: 756-5404/040-010
Sensor/Actuator cable; M12A socket; angled; M12A plug; angled; 4-pole; Length: 1 m



Item No.: 756-5404/040-020
Sensor/Actuator cable; M12A socket; angled; M12A plug; angled; 4-pole; Length: 2 m



Item No.: 756-5403/040-010
Sensor/Actuator cable; M12A socket; angled; M12A plug; straight; 4-pole; Length: 1 m



Item No.: 756-5403/040-020
Sensor/Actuator cable; M12A socket; angled; M12A plug; straight; 4-pole; Length: 2 m



Item No.: 756-5402/040-010
Sensor/Actuator cable; M12A socket; straight; M12A plug; angled; 4-pole; Length: 1 m



Item No.: 756-5402/040-020
Sensor/Actuator cable; M12A socket; straight; M12A plug; angled; 4-pole; Length: 2 m

1.2.1.6 Sensor/actuator cable



Item No.: 756-5401/040-010
 Sensor/Actuator cable; M12A socket; straight; M12A plug; straight; 4-pole; Length: 1 m



Item No.: 756-5401/040-020
 Sensor/Actuator cable; M12A socket; straight; M12A plug; straight; 4-pole; Length: 2 m



Item No.: 756-5510/040-010
 Sensor/Actuator cable; M8 socket; angled; M12A plug; angled; 4-pole; Length: 1 m



Item No.: 756-5510/040-020
 Sensor/Actuator cable; M8 socket; angled; M12A plug; angled; 4-pole; Length: 2 m



Item No.: 756-5509/040-010
 Sensor/Actuator cable; M8 socket; angled; M12A plug; straight; 4-pole; Length: 1 m



Item No.: 756-5509/040-020
 Sensor/Actuator cable; M8 socket; angled; M12A plug; straight; 4-pole; Length: 2 m



Item No.: 756-5508/040-010
 Sensor/Actuator cable; M8 socket; straight; M12A plug; angled; 4-pole; Length: 1 m



Item No.: 756-5508/040-020
 Sensor/Actuator cable; M8 socket; straight; M12A plug; angled; 4-pole; Length: 2 m



Item No.: 756-5507/040-010
 Sensor/Actuator cable; M8 socket; straight; M12A plug; straight; 4-pole; Length: 1 m



Item No.: 756-5507/040-020
 Sensor/Actuator cable; M8 socket; straight; M12A plug; straight; 4-pole; Length: 2 m