

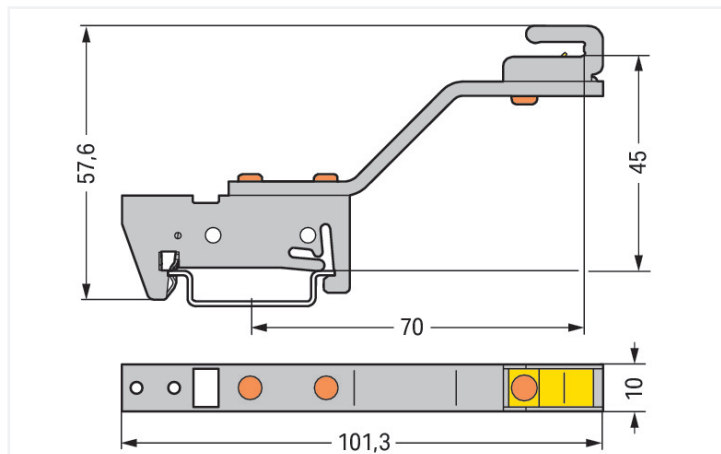
Data Sheet | Item Number: 790-301

Busbar carrier; for busbars Cu 10 mm x 3 mm; single side, angled; for DIN 35 rail; silver-colored

<https://www.wago.com/790-301>



Color: ■ silver-colored



Dimensions in mm

Material data

Color	silver-colored
Fire load	0 MJ
Weight	39.6 g
Material	Coated steel Stainless steel Copper (Cu)

Commercial data

Product Group	2 (Terminal Block Accessories)
eCl@ss 10.0	27-40-06-07
eCl@ss 9.0	27-40-06-07
ETIM 8.0	EC001166
ETIM 7.0	EC001166
PU (SPU)	10 pcs
Packaging type	Box
Country of origin	DE
GTIN	4045454415952
Customs tariff number	39269097900

Environmental Product Compliance

RoHS Compliance Status	Compliant, No Exemption
------------------------	-------------------------

Processing temperature (min.)	-35 °C
Processing temperature (max.)	85 °C
Processing temperature	-35 ... +85 °C
Continuous operating temperature from	-60 °C
Continuous operating temperature up to	105 °C
Continuous operating temperature	-60 ... +105 °C

Downloads

Environmental Product Compliance

Compliance Search

Environmental Product Compliance 790-301



Documentation

Bid Text

790-301	19.02.2019	xml 2.68 KB	
790-301	28.11.2018	doc 23.00 KB	

CAD/CAE-Data

CAD data

2D/3D Models 790-301



CAE data

EPLAN Data Portal 790-301



WSCAD Universe 790-301



ZUKEN Portal 790-301



1 Compatible Products

1.1 Optional Accessories

1.1.1 N-busbar

1.1.1.1 Mounting accessories



Item No.: 210-133

Busbar; tin-plated; 1000 mm long; Cu 10 mm x 3 mm; white

Item No.: 790-134

Busbar; tin-plated; 50 mm long; Cu 10 mm x 3 mm; silver-colored