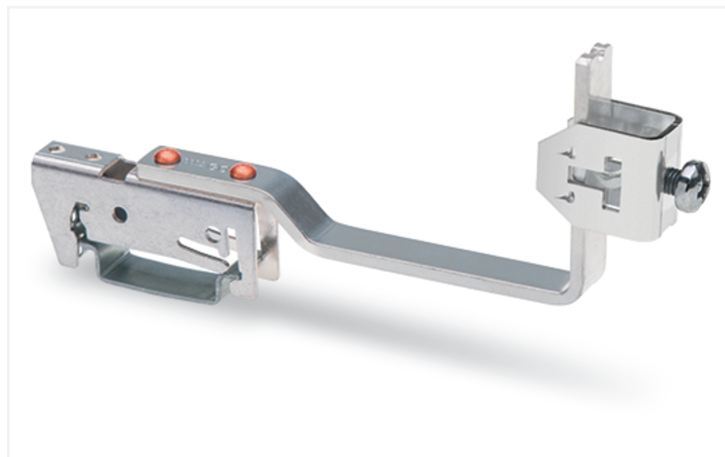


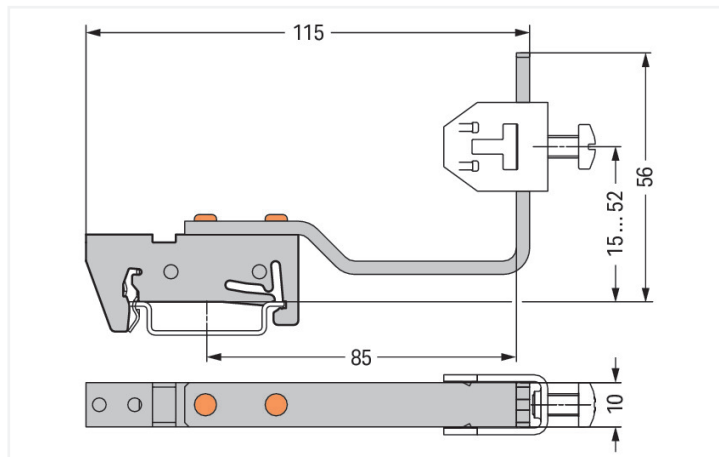
Data Sheet | Item Number: 790-360/790-398

Busbar carrier; for busbars Cu 10 mm x 3 mm; flexible; for DIN 35 rail; silver-colored

<https://www.wago.com/790-360/790-398>



Color: ■ silver-colored



Dimensions in mm

Material data

Color	silver-colored
Fire load	0 MJ
Weight	46.3 g

Commercial data

eCl@ss 10.0	27-40-06-07
eCl@ss 9.0	27-40-06-07
ETIM 8.0	EC001166
ETIM 7.0	EC001166
PU (SPU)	12 (6) pcs
Packaging type	Box
Country of origin	DE
GTIN	4055143363037
Customs tariff number	39269097900

Environmental Product Compliance

RoHS Compliance Status	Compliant, No Exemption
------------------------	-------------------------

Processing temperature (min.)	-35 °C
Processing temperature (max.)	85 °C
Processing temperature	-35 ... +85 °C
Continuous operating temperature from	-60 °C
Continuous operating temperature up to	105 °C
Continuous operating temperature	-60 ... +105 °C

Downloads

Environmental Product Compliance

Compliance Search

Environmental Product Compliance
790-360/790-398



Documentation

Bid Text

790-360/790-398	19.02.2019	xml 2.69 KB	
790-360/790-398	31.08.2017	doc 23.50 KB	

CAD/CAE-Data

CAD data

2D/3D Models
790-360/790-398



CAE data

EPLAN Data Portal
790-360/790-398



ZUKEN Portal
790-360/790-398



1 Compatible Products

1.1 Optional Accessories

1.1.1 N-busbar

1.1.1.1 Mounting accessories



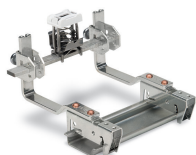
Item No.: 210-133

Busbar; tin-plated; 1000 mm long; Cu 10 mm x 3 mm; white

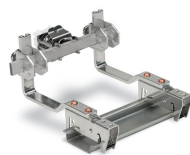
Item No.: 790-134

Busbar; tin-plated; 50 mm long; Cu 10 mm x 3 mm; silver-colored

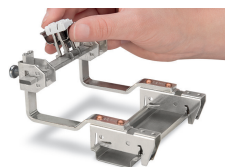
Installation Notes



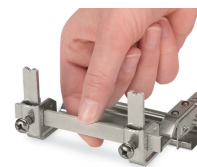
Horizontal mounting position of the busbar

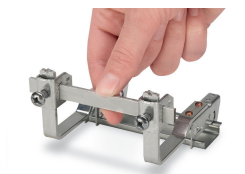


Vertical mounting position of the busbar



The height of the busbar can be adjusted.





Secure the busbar by tightening the screws at the required position.