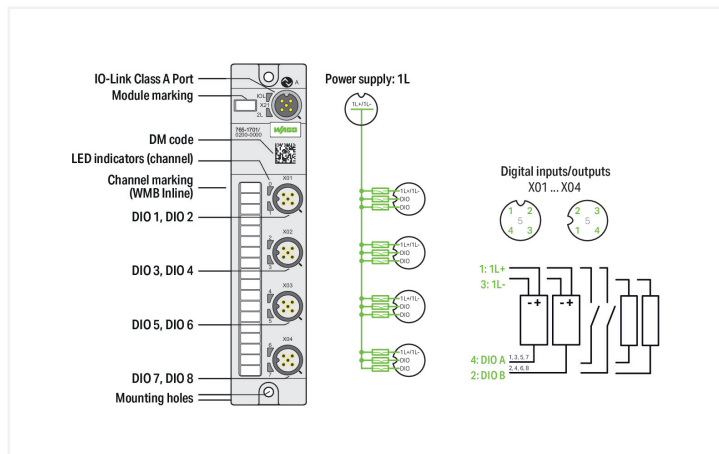


# Data Sheet | Item Number: 765-1701/200-000

8-channel digital input/output; IO Link Class A Hub; DC 24 V / 2.0 A; 4xM12 connection; HubLine

<https://www.wago.com/765-1701/200-000>



## Application:

Decentralized preprocessing and conversion/output of digital signals

This device records and controls digital field device signals (e.g., from sensors and actuators) that are received or sent from a higher-level IO-Link master. The device is designed as a Class A hub and has eight digital inputs/outputs.

## IO-Link:

The device has an IO-Link communication interface that requires an IO-Link master for interoperation.

The IO-Link interface allows direct access to the process and diagnostic data and enables setting of the device parameters during operation.

The IODD can also be <https://ioddfinder.io-link.com> downloaded via the IODDfinder.

## Technical data

### IO-Link

Communications	IO-Link slave (class A)
Connection technology: communication/fieldbus	1 x A-coded M12; 5-pole

### Device functions

Parameter	Input filter Output current Temperature
Diagnostics	Undervoltage; overcurrent; overload; overtemperature

### Digital inputs/outputs

Number of digital inputs	8
Number of digital outputs	8
Connection technology: inputs/outputs	4 x A-coded M12; 5-pole
Signal type (voltage)	24 VDC
Input characteristic	high-side switching Type 3, per IEC 61131-2
Input filter	0.2 ... 20 ms
Output current (per channel)	2 A

### Power supply

Connection technology: supply	1 x A-coded M12; 5-pole; via IO-Link port (1L)
Supply voltage	24 VDC (18 ... 31.2 V); 1L
Current consumption (max.)	4000 mA
Current consumption (note)	1L: 0.2 A + load current
Reverse voltage protection	Yes

### Physical data

Width	35 mm / 1.378 inches
Height	30 mm / 1.181 inches
Depth	158.5 mm / 6.24 inches

### Mechanical data

Weight	110 g
Conformity marking	CE

### Environmental requirements

Ambient temperature (operation)	-25 ... +70 °C
Ambient temperature (storage)	-40 ... +80 °C
Protection type	IP67
Protection class	III per EN 61140, IEC 61140, VDE 0140-1
Operating altitude	0 ... 2000 m / 0 ... 6562 ft
Pollution degree	3 (EN 60664-1)
Overvoltage category	II (EN 60664-1)
Vibration resistance	5g per IEC 60068-2-6
Shock resistance	Short-term: 50g/11 ms/half-sine per IEC 60068-2-27; Long-term: 30g/6 ms/half-sine per IEC 60068-2-29
EMC immunity to interference	per EN 61000-6-2
EMC emission of interference	per EN 61000-6-4

### Commercial data

ETIM 9.0	EC001599
ETIM 8.0	EC001599
PU (SPU)	1 pcs
Packaging type	Box
Country of origin	DE
GTIN	4055143950022
Customs tariff number	85371098990

### Environmental Product Compliance

CAS-No.	7439-92-1
REACH Candidate List Substance	Lead
RoHS Compliance Status	Compliant,With Exemption
RoHS Exemption	6(c) 7(a) 7(c)-I
SCIP notification number (Austria)	ba79137a-a12a-4206-a1de-8d9695b4c5b0
SCIP notification number (Belgium)	b393b15a-dad4-46ce-89aa-759787880816
SCIP notification number (Bulgaria)	d6df19df-cb75-4088-8017-8b17dbccea0a
SCIP notification number (Czech Republic)	f319d3df-97f8-4ff1-a6e5-ba26770115d3
SCIP notification number (Denmark)	f5cd2a65-5934-4ed5-bb52-521dd67b45fc
SCIP notification number (Finland)	d21d46fc-5ecf-4f5d-b183-bf445c652b09
SCIP notification number (France)	d172c063-1277-4263-8abe-e029b8b4a782
SCIP notification number (Germany)	be346f4f-5112-4e6c-9842-89506213fc76
SCIP notification number (Hungary)	cfe1e7a5-ffa2-4aec-83b0-1abf33c618e8
SCIP notification number (Italy)	e5d6f8d1-cc58-473f-bbf7-3e41e758fdd3
SCIP notification number (Netherlands)	08749293-24d1-4c4f-96bf-62f0e3675f9e
SCIP notification number (Poland)	7407a97c-3900-4b9b-a6fb-a1980d72e9e7
SCIP notification number (Romania)	cd4855ed-858d-4780-8feb-e09bd6afdb68
SCIP notification number (Sweden)	3b58288d-22d7-4fbf-82e5-9941d96d59e9

Approvals / Certificates

General approvals



Approval	Standard	Certificate Name
EAC GZO Almaty Standart	TP TC 020/2011	EAC CoC 03083
KC National Radio Research Agency	Article 58-2, Clause 3	KC R-R-W43-IOLH765
UL Underwriters Laboratories Inc. (ORDINARY LOCATIONS)	-	E175199

Declarations of conformity and manufacturer's declarations

Approval	Standard	Certificate Name
----------	----------	------------------

EU-Declaration of Conformity WAGO GmbH & Co. KG	-	-
--	---	---

Downloads

Environmental Product Compliance

Compliance Search

Environmental Product Compliance 765-1701/200-000	<a href="#">↓</a>
--	-------------------

Documentation

Manual

Product Manual 8-Channel Digital Input/Output; IO Link Class A Hub	V 2.0.0 19.07.2022	pdf 3584.96 KB	<a href="#">↓</a>
--	-----------------------	-------------------	-------------------

System Description

WAGO I/O System Field; General Product Information	pdf 1009.23 KB	<a href="#">↓</a>
--	-------------------	-------------------

Instruction Leaflet

I/O System Field package insert	15.12.2021	pdf 1083.98 KB	<a href="#">↓</a>
---------------------------------	------------	-------------------	-------------------

CAD/CAE-Data

CAD data

2D/3D Models 765-1701/200-000	<a href="#">↓</a>
----------------------------------	-------------------

CAE data

EPLAN Data Portal 765-1701/200-000	<a href="#">↓</a>
ZUKEN Portal 765-1701/200-000	<a href="#">↓</a>

## Runtime Software

### Firmware

0765-17xx, IO-Field	V 02 02.02.2023	zip 333.92 KB	
---------------------	--------------------	------------------	--

## Libraries

### Device Description File

IODD 765-1701/200-000	V1.0.0.10 12.04.2021	zip 46.99 KB	
--------------------------	-------------------------	-----------------	--

## 1 Compatible Products

### 1.1 Required Accessories

#### 1.1.1 Cover

##### 1.1.1.1 Cover



[Item No.: 756-8103](#)

M12 protective cap; for unused plugs

[Item No.: 756-8102](#)

M12 protective cap; for unused sockets

### 1.1.2 Marking

#### 1.1.2.1 Marker



[Item No.: 2009-115](#)

WMB-Inline; for Smart Printer; 1500 pieces on roll; stretchable 5 - 5.2 mm; plain; snap-on type; white

#### 1.1.2.2 Marking strip



[Item No.: 2009-110](#)

Marking strips; for Smart Printer; on reel; not stretchable; plain; snap-on type; white

### 1.1.3 Tool

#### 1.1.3.1 Assembly tool



[Item No.: 206-701](#)

Torque wrench M8 and M12; Assembly kit

1.2 Optional Accessories

1.2.1 Cables and connectors

1.2.1.1 Configurable Connector



**Item No.: 756-9205/050-000**  
Fitted pluggable connector; 5-pole; M12 plug, right angle; Spring



**Item No.: 756-9202/050-000**  
Fitted pluggable connector; 5-pole; M12 plug, straight, A-coded; Spring



**Item No.: 756-9215/050-000**  
Fitted pluggable connector; 5-pole; M12 socket, right angle; Spring



**Item No.: 756-9212/050-000**  
Fitted pluggable connector; 5-pole; M12 socket, straight; Spring

1.2.1.2 Distribution connector



**Item No.: 756-9301/040-000**  
Accessories; 4-pole



**Item No.: 756-9301/050-000**  
Accessories; 5-pole



**Item No.: 756-5514/040-010**  
Sensor/Actuator cable; 2xM8 socket; angled; M12A plug; straight; 4-pole; Length: 1 m



**Item No.: 756-5514/040-020**  
Sensor/Actuator cable; 2xM8 socket; angled; M12A plug; straight; 4-pole; Length: 2 m



**Item No.: 756-5513/040-010**  
Sensor/Actuator cable; 2xM8 socket; straight; M12A plug; straight; 4-pole; Length: 1 m



**Item No.: 756-5513/040-020**  
Sensor/Actuator cable; 2xM8 socket; straight; M12A plug; straight; 4-pole; Length: 2 m

1.2.1.3 Sensor/actuator cable



**Item No.: 756-5312/040-015**  
Sensor/Actuator cable; M12A plug; angled; 4-pole; Length: 1.5 m



**Item No.: 756-5312/040-100**  
Sensor/Actuator cable; M12A plug; angled; 4-pole; Length: 10 m



**Item No.: 756-5312/040-050**  
Sensor/Actuator cable; M12A plug; angled; 4-pole; Length: 5 m



**Item No.: 756-5311/040-015**  
Sensor/Actuator cable; M12A plug; straight; 4-pole; Length: 1.5 m



**Item No.: 756-5311/040-100**  
Sensor/Actuator cable; M12A plug; straight; 4-pole; Length: 10 m



**Item No.: 756-5311/040-050**  
Sensor/Actuator cable; M12A plug; straight; 4-pole; Length: 5 m



**Item No.: 756-5302/050-015**  
Sensor/Actuator cable; M12A socket; angled; 5-pole; Length: 1.5 m



**Item No.: 756-5302/050-100**  
Sensor/Actuator cable; M12A socket; angled; 5-pole; Length: 10 m



**Item No.: 756-5302/050-050**  
Sensor/Actuator cable; M12A socket; angled; 5-pole; Length: 5 m



**Item No.: 756-5404/040-010**  
Sensor/Actuator cable; M12A socket; angled; M12A plug; angled; 4-pole; Length: 1 m



**Item No.: 756-5404/040-020**  
Sensor/Actuator cable; M12A socket; angled; M12A plug; angled; 4-pole; Length: 2 m



**Item No.: 756-5404/050-010**  
Sensor/Actuator cable; M12A socket; angled; M12A plug; angled; 5-pole; Length: 1 m



**Item No.: 756-5404/050-020**  
Sensor/Actuator cable; M12A socket; angled; M12A plug; angled; 5-pole; Length: 2 m



**Item No.: 756-5403/040-010**  
Sensor/Actuator cable; M12A socket; angled; M12A plug; straight; 4-pole; Length: 1 m



**Item No.: 756-5403/040-020**  
Sensor/Actuator cable; M12A socket; angled; M12A plug; straight; 4-pole; Length: 2 m



**Item No.: 756-5403/050-010**  
Sensor/Actuator cable; M12A socket; angled; M12A plug; straight; 5-pole; Length: 1 m



**Item No.: 756-5403/050-020**  
Sensor/Actuator cable; M12A socket; angled; M12A plug; straight; 5-pole; Length: 2 m



**Item No.: 756-5301/050-015**  
Sensor/Actuator cable; M12A socket; straight; 5-pole; Length: 1.5 m



**Item No.: 756-5301/050-100**  
Sensor/Actuator cable; M12A socket; straight; 5-pole; Length: 10 m



**Item No.: 756-5301/050-050**  
Sensor/Actuator cable; M12A socket; straight; 5-pole; Length: 5 m



**Item No.: 756-5402/040-010**  
Sensor/Actuator cable; M12A socket; straight; M12A plug; angled; 4-pole; Length: 1 m



**Item No.: 756-5402/040-020**  
Sensor/Actuator cable; M12A socket; straight; M12A plug; angled; 4-pole; Length: 2 m



**Item No.: 756-5402/050-010**  
Sensor/Actuator cable; M12A socket; straight; M12A plug; angled; 5-pole; Length: 1 m



**Item No.: 756-5402/050-020**  
Sensor/Actuator cable; M12A socket; straight; M12A plug; angled; 5-pole; Length: 2 m



**Item No.: 756-5401/040-010**  
Sensor/Actuator cable; M12A socket; straight; M12A plug; straight; 4-pole; Length: 1 m



**Item No.: 756-5401/040-020**  
Sensor/Actuator cable; M12A socket; straight; M12A plug; straight; 4-pole; Length: 2 m



**Item No.: 756-5401/050-010**  
Sensor/Actuator cable; M12A socket; straight; M12A plug; straight; 5-pole; Length: 1 m



**Item No.: 756-5401/050-020**  
Sensor/Actuator cable; M12A socket; straight; M12A plug; straight; 5-pole; Length: 2 m

1.2.1.3 Sensor/actuator cable



Item No.: 756-5510/040-010

Sensor/Actuator cable; M8 socket; angled; M12A plug; angled; 4-pole; Length: 1 m



Item No.: 756-5510/040-020

Sensor/Actuator cable; M8 socket; angled; M12A plug; angled; 4-pole; Length: 2 m



Item No.: 756-5509/040-010

Sensor/Actuator cable; M8 socket; angled; M12A plug; straight; 4-pole; Length: 1 m



Item No.: 756-5509/040-020

Sensor/Actuator cable; M8 socket; angled; M12A plug; straight; 4-pole; Length: 2 m



Item No.: 756-5508/040-010

Sensor/Actuator cable; M8 socket; straight; M12A plug; angled; 4-pole; Length: 1 m



Item No.: 756-5508/040-020

Sensor/Actuator cable; M8 socket; straight; M12A plug; angled; 4-pole; Length: 2 m



Item No.: 756-5507/040-010

Sensor/Actuator cable; M8 socket; straight; M12A plug; straight; 4-pole; Length: 1 m



Item No.: 756-5507/040-020

Sensor/Actuator cable; M8 socket; straight; M12A plug; straight; 4-pole; Length: 2 m