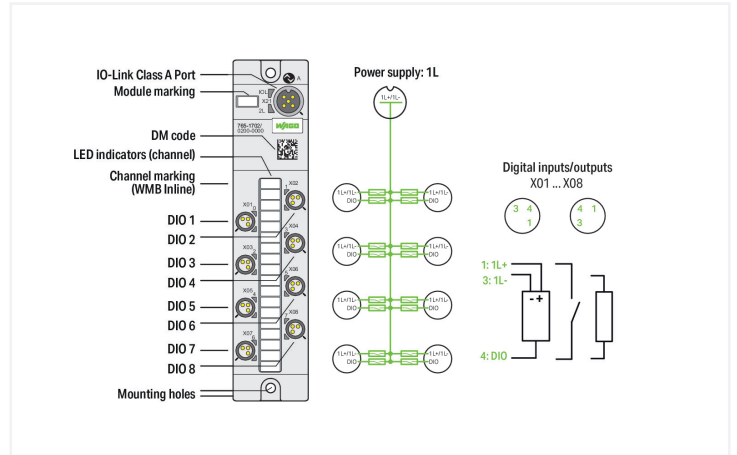


# Data Sheet | Item Number: 765-1702/200-000

8-channel digital input/output; IO Link Class A Hub; DC 24 V / 2.0 A; 8xM8 connection; HubLine

<https://www.wago.com/765-1702/200-000>



## Application:

Decentralized preprocessing and conversion/output of digital signals

This device records and controls digital field device signals (e.g., from sensors and actuators) that are received or sent from a higher-level IO-Link master. The device is designed as a Class A hub and has eight digital inputs/outputs.

## IO-Link:

The device has an IO-Link communication interface that requires an IO-Link master for interoperation.

The IO-Link interface allows direct access to the process and diagnostic data and enables setting of the device parameters during operation.

The IODD can also be <https://ioddfinder.io-link.com> downloaded via the IODDfinder.

## Technical data

### IO-Link

Communications	IO-Link slave (class A)
Connection technology: communication/fieldbus	1 x A-coded M12; 5-pole

### Device functions

Parameter	Input filter Output current Temperature
Diagnostics	Undervoltage; overcurrent; overload; overtemperature

### Digital inputs/outputs

Number of digital inputs	8
Number of digital outputs	8
Connection technology: inputs/outputs	8 x M8; 3-pole
Signal type (voltage)	24 VDC
Input characteristic	high-side switching Type 3, per IEC 61131-2
Input filter	0.2 ... 20 ms
Output current (per channel)	2 A

### Power supply

Connection technology: supply	1 x A-coded M12; 5-pole; via IO-Link port (1L)
Supply voltage	24 VDC (18 ... 31.2 V); 1L
Current consumption (max.)	4000 mA
Current consumption (note)	1L: 0.2 A + load current
Reverse voltage protection	Yes

### Physical data

Width	35 mm / 1.378 inches
Height	30 mm / 1.181 inches
Depth	158.5 mm / 6.24 inches

### Mechanical data

Weight	120 g
Conformity marking	CE

### Environmental requirements

Ambient temperature (operation)	-25 ... +70 °C
Ambient temperature (storage)	-40 ... +80 °C
Protection type	IP67
Protection class	III per EN 61140, IEC 61140, VDE 0140-1
Operating altitude	0 ... 2000 m / 0 ... 6562 ft
Pollution degree	3 (EN 60664-1)
Overvoltage category	II (EN 60664-1)
Vibration resistance	5g per IEC 60068-2-6
Shock resistance	Short-term: 50g/11 ms/half-sine per IEC 60068-2-27; Long-term: 30g/6 ms/half-sine per IEC 60068-2-29
EMC immunity to interference	per EN 61000-6-2
EMC emission of interference	per EN 61000-6-4

### Commercial data

ETIM 9.0	EC001599
ETIM 8.0	EC001599
PU (SPU)	1 pcs
Packaging type	Box
Country of origin	DE
GTIN	4055143950039
Customs tariff number	85371098990

### Environmental Product Compliance

CAS-No.	7439-92-1
REACH Candidate List Substance	Lead
RoHS Compliance Status	Compliant,With Exemption
RoHS Exemption	6(c) 7(a) 7(c)-I
SCIP notification number (Austria)	e8af65b7-d793-4bd2-9153-6b40e2a0d56c
SCIP notification number (Belgium)	9927fd1d-4496-40e6-b786-6b38c7a491e6
SCIP notification number (Bulgaria)	765335f0-f63d-42af-b1fd-60a83ce890e1
SCIP notification number (Czech Republic)	9a1ac26e-aea7-45cc-8e10-c8c1341cf8e5
SCIP notification number (Denmark)	cef5e82d-a723-4e29-8981-7d5daf134129
SCIP notification number (Finland)	99716129-e74d-4c0e-8839-dcfd54d2253e
SCIP notification number (France)	ca295d14-eb71-4e95-8c7f-677622d1ae92
SCIP notification number (Germany)	6b5f9313-ae6b-4446-9601-1ba2022ff3c6
SCIP notification number (Hungary)	2c420d3e-5475-493a-96ad-3efd31c509b7
SCIP notification number (Italy)	5162beff-6fb0-493a-a808-834629dfe9be
SCIP notification number (Netherlands)	90f0eb27-2dbc-4d75-a8a4-574b7e6af59f
SCIP notification number (Poland)	864308a4-45e0-45cd-843a-45a4ab40c013
SCIP notification number (Romania)	d3942520-e29a-4bf4-a311-705ae55bf093
SCIP notification number (Sweden)	ff8718df-c895-46c6-b655-bfd2847575bb

Approvals / Certificates

General approvals



Approval	Standard	Certificate Name
EAC GZO Almaty Standart	TP TC 020/2011	EAC CoC 03083
KC National Radio Research Agency	Article 58-2, Clause 3	KC R-R-W43-IOLH765
UL Underwriters Laboratories Inc. (ORDINARY LOCATIONS)	-	E175199

Declarations of conformity and manufacturer's declarations

Approval	Standard	Certificate Name
----------	----------	------------------

EU-Declaration of Conformity WAGO GmbH & Co. KG	-	-
--	---	---

Downloads

Environmental Product Compliance

Compliance Search

Environmental Product Compliance 765-1702/200-000	<a href="#">↓</a>
--	-------------------

Documentation

Manual

Product Manual 8-Channel Digital Input/Output; IO-Link Class A Hub	V 2.0.0 19.07.2022	pdf 3572.15 KB	<a href="#">↓</a>
--	-----------------------	-------------------	-------------------

System Description

WAGO I/O System Field; General Product Information	pdf 1009.23 KB	<a href="#">↓</a>
--	-------------------	-------------------

Instruction Leaflet

I/O System Field package insert	15.12.2021	pdf 1083.98 KB	<a href="#">↓</a>
---------------------------------	------------	-------------------	-------------------

CAD/CAE-Data

CAD data

2D/3D Models 765-1702/200-000	<a href="#">↓</a>
----------------------------------	-------------------

CAE data

EPLAN Data Portal 765-1702/200-000	<a href="#">↓</a>
ZUKEN Portal 765-1702/200-000	<a href="#">↓</a>

## Runtime Software

### Firmware

0765-17xx, IO-Field	V 02 02.02.2023	zip 333.92 KB	
---------------------	--------------------	------------------	---

## Libraries

### Device Description File

IODD 765-1702/200-000	V1.0.0.10 12.04.2021	zip 48.95 KB	
--------------------------	-------------------------	-----------------	---

## 1 Compatible Products

### 1.1 Required Accessories

#### 1.1.1 Cover

##### 1.1.1.1 Cover



##### [Item No.: 756-8103](#)

M12 protective cap; for unused plugs

##### [Item No.: 756-8101](#)

M8 protective cap; for unused sockets

### 1.1.2 Marking

#### 1.1.2.1 Marker



##### [Item No.: 2009-115](#)

WMB-Inline; for Smart Printer; 1500 pieces on roll; stretchable 5 - 5.2 mm; plain; snap-on type; white

#### 1.1.2.2 Marking strip



##### [Item No.: 2009-110](#)

Marking strips; for Smart Printer; on reel; not stretchable; plain; snap-on type; white

### 1.1.3 Tool

#### 1.1.3.1 Assembly tool



##### [Item No.: 206-701](#)

Torque wrench M8 and M12; Assembly kit

1.2 Optional Accessories

1.2.1 Cables and connectors

1.2.1.1 Configurable Connector



**Item No.: 756-9105/030-000**

Fitted pluggable connector; 3-pole; M8 plug, right angle; IDC technology

**Item No.: 756-9102/030-000**

Fitted pluggable connector; 3-pole; M8 plug, straight; IDC technology

1.2.1.2 Sensor/actuator cable



**Item No.: 756-5302/050-015**

Sensor/Actuator cable; M12A socket; angled; 5-pole; Length: 1.5 m



**Item No.: 756-5302/050-100**

Sensor/Actuator cable; M12A socket; angled; 5-pole; Length: 10 m



**Item No.: 756-5302/050-050**

Sensor/Actuator cable; M12A socket; angled; 5-pole; Length: 5 m



**Item No.: 756-5404/050-010**

Sensor/Actuator cable; M12A socket; angled; M12A plug; angled; 5-pole; Length: 1 m



**Item No.: 756-5404/050-020**

Sensor/Actuator cable; M12A socket; angled; M12A plug; angled; 5-pole; Length: 2 m



**Item No.: 756-5403/050-010**

Sensor/Actuator cable; M12A socket; angled; M12A plug; straight; 5-pole; Length: 1 m



**Item No.: 756-5403/050-020**

Sensor/Actuator cable; M12A socket; angled; M12A plug; straight; 5-pole; Length: 2 m



**Item No.: 756-5504/030-010**

Sensor/Actuator cable; M12A socket; angled; M8 plug; angled; 3-pole; Length: 1 m



**Item No.: 756-5504/030-020**

Sensor/Actuator cable; M12A socket; angled; M8 plug; angled; 3-pole; Length: 2 m



**Item No.: 756-5503/030-010**

Sensor/Actuator cable; M12A socket; angled; M8 plug; straight; 3-pole; Length: 1 m



**Item No.: 756-5503/030-020**

Sensor/Actuator cable; M12A socket; angled; M8 plug; straight; 3-pole; Length: 2 m



**Item No.: 756-5301/050-015**

Sensor/Actuator cable; M12A socket; straight; 5-pole; Length: 1.5 m



**Item No.: 756-5301/050-100**

Sensor/Actuator cable; M12A socket; straight; 5-pole; Length: 10 m



**Item No.: 756-5301/050-050**

Sensor/Actuator cable; M12A socket; straight; 5-pole; Length: 5 m



**Item No.: 756-5402/050-010**

Sensor/Actuator cable; M12A socket; straight; M12A plug; angled; 5-pole; Length: 1 m



**Item No.: 756-5402/050-020**

Sensor/Actuator cable; M12A socket; straight; M12A plug; angled; 5-pole; Length: 2 m



**Item No.: 756-5401/050-010**

Sensor/Actuator cable; M12A socket; straight; M12A plug; straight; 5-pole; Length: 1 m



**Item No.: 756-5401/050-020**

Sensor/Actuator cable; M12A socket; straight; M12A plug; straight; 5-pole; Length: 2 m



**Item No.: 756-5502/030-010**

Sensor/Actuator cable; M12A socket; straight; M8 plug; angled; 3-pole; Length: 1 m



**Item No.: 756-5502/030-020**

Sensor/Actuator cable; M12A socket; straight; M8 plug; angled; 3-pole; Length: 2 m



**Item No.: 756-5501/030-010**

Sensor/Actuator cable; M12A socket; straight; M8 plug; straight; 3-pole; Length: 1 m



**Item No.: 756-5501/030-020**

Sensor/Actuator cable; M12A socket; straight; M8 plug; straight; 3-pole; Length: 2 m



**Item No.: 756-5112/030-015**

Sensor/Actuator cable; M8 plug; angled; 3-pole; Length: 1.5 m



**Item No.: 756-5112/030-100**

Sensor/Actuator cable; M8 plug; angled; 3-pole; Length: 10 m



**Item No.: 756-5112/030-050**

Sensor/Actuator cable; M8 plug; angled; 3-pole; Length: 5 m



**Item No.: 756-5111/030-015**

Sensor/Actuator cable; M8 plug; straight; 3-pole; Length: 1.5 m



**Item No.: 756-5111/030-100**

Sensor/Actuator cable; M8 plug; straight; 3-pole; Length: 10 m



**Item No.: 756-5111/030-050**

Sensor/Actuator cable; M8 plug; straight; 3-pole; Length: 5 m



**Item No.: 756-5204/030-010**

Sensor/Actuator cable; M8 socket; angled; M8 plug; angled; 3-pole; Length: 1 m



**Item No.: 756-5204/030-020**

Sensor/Actuator cable; M8 socket; angled; M8 plug; angled; 3-pole; Length: 2 m



**Item No.: 756-5203/030-010**

Sensor/Actuator cable; M8 socket; angled; M8 plug; straight; 3-pole; Length: 1 m



**Item No.: 756-5203/030-020**

Sensor/Actuator cable; M8 socket; angled; M8 plug; straight; 3-pole; Length: 2 m



**Item No.: 756-5202/030-010**

Sensor/Actuator cable; M8 socket; straight; M8 plug; angled; 3-pole; Length: 1 m



**Item No.: 756-5202/030-020**

Sensor/Actuator cable; M8 socket; straight; M8 plug; angled; 3-pole; Length: 2 m



**Item No.: 756-5201/030-010**

Sensor/Actuator cable; M8 socket; straight; M8 plug; straight; 3-pole; Length: 1 m



**Item No.: 756-5201/030-020**

Sensor/Actuator cable; M8 socket; straight; M8 plug; straight; 3-pole; Length: 2 m

Subject to changes. Please also observe the further product documentation!

---

Current addresses can be found at: [www.wago.com](http://www.wago.com)