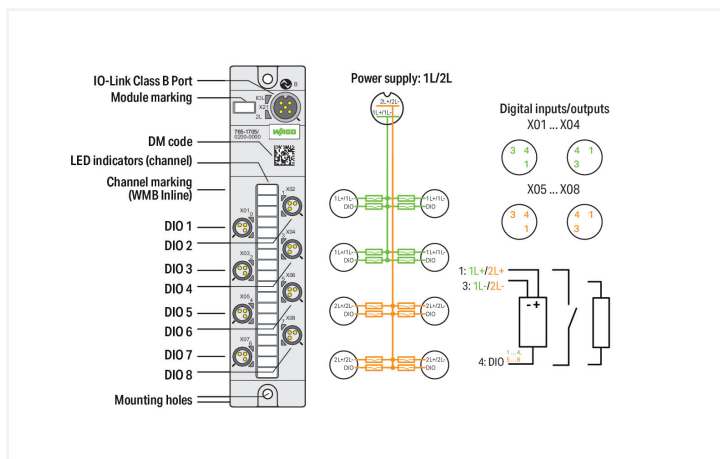


Data Sheet | Item Number: 765-1705/200-000

8-channel digital input/output; IO Link Class B Hub; DC 24 V / 2.0 A; 8xM8 connection; HubLine

<https://www.wago.com/765-1705/200-000>



Application:

Decentralized preprocessing and conversion/output of digital signals

This device records and controls digital field device signals (e.g., from sensors and actuators) that are received or sent from a higher-level IO-Link master. The device is designed as a Class B hub and has eight digital inputs/outputs.

IO-Link:

The device has an IO-Link communication interface that requires an IO-Link master for interoperation.

The IO-Link interface allows direct access to the process and diagnostic data and enables setting of the device parameters during operation.

The IODD can also be <https://ioddfinder.io-link.com> downloaded via the IODDfinder.

Technical data

IO-Link

Communications	IO-Link slave (class B)
Connection technology: communication/ fieldbus	1 x A-coded M12; 5-pole

Device functions

Parameter	Input filter Output current Temperature
Diagnostics	Undervoltage; overcurrent; overload; overtemperature

Digital inputs/outputs

Number of digital inputs	8
Number of digital outputs	8
Connection technology: inputs/outputs	8 x M8; 3-pole
Signal type (voltage)	24 VDC
Input characteristic	high-side switching Type 3, per IEC 61131-2
Input filter	0.2 ... 20 ms
Output current (per channel)	2 A

Power supply

Connection technology: supply	1 x A-coded M12; 5-pole; via IO-Link port (1L/2L)
Supply voltage	24 VDC (18 ... 31.2 V); 1L/2L
Current consumption (max.)	4000 mA
Current consumption (note)	1L: 0.2 A; 2L: 0.1 A; + load current
Reverse voltage protection	Yes

Physical data

Width	35 mm / 1.378 inches
Height	30 mm / 1.181 inches
Depth	158.5 mm / 6.24 inches

Mechanical data

Weight	120 g
Conformity marking	CE

Environmental requirements

Ambient temperature (operation)	-25 ... +70 °C
Ambient temperature (storage)	-40 ... +80 °C
Protection type	IP67
Protection class	III per EN 61140, IEC 61140, VDE 0140-1
Operating altitude	0 ... 2000 m / 0 ... 6562 ft
Pollution degree	3 (EN 60664-1)
Overvoltage category	II (EN 60664-1)
Vibration resistance	5g per IEC 60068-2-6
Shock resistance	Short-term: 50g/11 ms/half-sine per IEC 60068-2-27; Long-term: 30g/6 ms/half-sine per IEC 60068-2-29
EMC immunity to interference	per EN 61000-6-2
EMC emission of interference	per EN 61000-6-4

Commercial data

ETIM 9.0	EC001599
ETIM 8.0	EC001599
PU (SPU)	1 pcs
Packaging type	Box
Country of origin	DE
GTIN	4055143949781
Customs tariff number	85371098990



Environmental Product Compliance

CAS-No.	7439-92-1
REACH Candidate List Substance	Lead
RoHS Compliance Status	Compliant,With Exemption
RoHS Exemption	6(c) 7(a) 7(c)-I
SCIP notification number (Austria)	452909d4-0340-4f0d-a302-b84f5c7f118f
SCIP notification number (Belgium)	05992588-0426-49ec-a186-cc20029dc130
SCIP notification number (Bulgaria)	bce0d282-97dc-4adf-a73e-5e0405d04241
SCIP notification number (Czech Republic)	59723033-73df-4cd3-8b85-69d0e38f4b65
SCIP notification number (Denmark)	09f7f000-1a06-4a90-a712-948b5b1ea13e

Environmental Product Compliance

SCIP notification number (Finland)	d5f36ba9-664c-4cb0-9a52-4823b76f2468
SCIP notification number (France)	b03d7b01-4232-4fac-bcf0-f4db72208be1
SCIP notification number (Germany)	6df26929-d80c-4a86-b723-38098fb68cc1
SCIP notification number (Hungary)	7810bc5c-9dfc-4ef3-8a3a-0d15afaedbc2
SCIP notification number (Italy)	a22dff58-e9be-4114-a4da-241f7a6c4d81
SCIP notification number (Netherlands)	d5608970-5d75-4b72-9d9b-dddc1848ff68
SCIP notification number (Poland)	4900db26-e428-4288-829d-f0b5e1d91d68
SCIP notification number (Romania)	8843304d-eca0-4b12-a977-8dcb58eb0edf
SCIP notification number (Sweden)	67d0f5e8-71e6-4a25-a8bd-edaf5d87a914

Approvals / Certificates

General approvals			Declarations of conformity and manufacturer's declarations		
 					
Approval	Standard	Certificate Name	Approval	Standard	Certificate Name
EAC GZO Almaty Standart	TP TC 020/2011	EAC CoC 03083	EU-Declaration of Confor- mity WAGO GmbH & Co. KG	-	-
KC National Radio Research Agency	Article 58-2, Clause 3	KC R-R-W43-IOLH765			
UL Underwriters Laboratories Inc. (ORDINARY LOCATI- ONS)	-	E175199			

Downloads

Environmental Product Compliance

Compliance Search	
Environmental Product Compliance 765-1705/200-000	↓

Documentation

Manual				System Description			
Product Manual 8- Channel Digital Input/ Output; IO Link Class B Hub	V 2.0.0 19.07.2022	pdf 3633.23 KB	↓	WAGO I/O System Field; General Product Infor- mation		pdf 1009.23 KB	↓

Instruction Leaflet

I/O System Field packa- ge insert	15.12.2021	pdf 1083.98 KB	↓
--------------------------------------	------------	-------------------	-------------------

CAD/CAE-Data

CAD data		CAE data	
2D/3D Models	765-1705/200-000	EPLAN Data Portal	765-1705/200-000
		ZUKEN Portal	

Runtime Software

Firmware			
0765-17xx, IO-Field	V 02 02.02.2023	zip 333.92 KB	

Libraries

Device Description File			
IODD	V1.0.0.10 12.04.2021	zip 48.83 KB	

1 Compatible Products

1.1 Required Accessories

1.1.1 Cover

1.1.1.1 Cover



Item No.: 756-8103

M12 protective cap; for unused plugs

Item No.: 756-8101

M8 protective cap; for unused sockets

1.1.2 Marking

1.1.2.1 Marker



Item No.: 2009-115

WMB-Inline; for Smart Printer; 1500 pieces on roll; stretchable 5 - 5.2 mm; plain; snap-on type; white

1.1.2.2 Marking strip



Item No.: 2009-110

Marking strips; for Smart Printer; on reel; not stretchable; plain; snap-on type; white

1.1.3 Tool

1.1.3.1 Assembly tool



Item No.: 206-701

Torque wrench M8 and M12; Assembly kit

1.2 Optional Accessories

1.2.1 Cables and connectors

1.2.1.1 Configurable Connector



Item No.: 756-9105/030-000

Fitted pluggable connector; 3-pole; M8 plug, right angle; IDC technology



Item No.: 756-9102/030-000

Fitted pluggable connector; 3-pole; M8 plug, straight; IDC technology

1.2.1.2 Sensor/actuator cable



Item No.: 756-5302/050-015

Sensor/Actuator cable; M12A socket; angled; 5-pole; Length: 1.5 m



Item No.: 756-5302/050-100

Sensor/Actuator cable; M12A socket; angled; 5-pole; Length: 10 m



Item No.: 756-5302/050-050

Sensor/Actuator cable; M12A socket; angled; 5-pole; Length: 5 m



Item No.: 756-5404/050-010

Sensor/Actuator cable; M12A socket; angled; M12A plug; angled; 5-pole; Length: 1 m



Item No.: 756-5404/050-020

Sensor/Actuator cable; M12A socket; angled; M12A plug; angled; 5-pole; Length: 2 m



Item No.: 756-5403/050-010

Sensor/Actuator cable; M12A socket; angled; M12A plug; straight; 5-pole; Length: 1 m



Item No.: 756-5403/050-020

Sensor/Actuator cable; M12A socket; angled; M12A plug; straight; 5-pole; Length: 2 m



Item No.: 756-5504/030-010

Sensor/Actuator cable; M12A socket; angled; M8 plug; angled; 3-pole; Length: 1 m



Item No.: 756-5504/030-020

Sensor/Actuator cable; M12A socket; angled; M8 plug; angled; 3-pole; Length: 2 m



Item No.: 756-5503/030-010

Sensor/Actuator cable; M12A socket; angled; M8 plug; straight; 3-pole; Length: 1 m



Item No.: 756-5503/030-020

Sensor/Actuator cable; M12A socket; angled; M8 plug; straight; 3-pole; Length: 2 m



Item No.: 756-5301/050-015

Sensor/Actuator cable; M12A socket; straight; 5-pole; Length: 1.5 m



Item No.: 756-5301/050-100

Sensor/Actuator cable; M12A socket; straight; 5-pole; Length: 10 m



Item No.: 756-5301/050-050

Sensor/Actuator cable; M12A socket; straight; 5-pole; Length: 5 m



Item No.: 756-5402/050-010

Sensor/Actuator cable; M12A socket; straight; M12A plug; angled; 5-pole; Length: 1 m



Item No.: 756-5402/050-020

Sensor/Actuator cable; M12A socket; straight; M12A plug; angled; 5-pole; Length: 2 m



Item No.: 756-5401/050-010

Sensor/Actuator cable; M12A socket; straight; M12A plug; straight; 5-pole; Length: 1 m



Item No.: 756-5401/050-020

Sensor/Actuator cable; M12A socket; straight; M12A plug; straight; 5-pole; Length: 2 m



Item No.: 756-5502/030-010

Sensor/Actuator cable; M12A socket; straight; M8 plug; angled; 3-pole; Length: 1 m



Item No.: 756-5502/030-020

Sensor/Actuator cable; M12A socket; straight; M8 plug; angled; 3-pole; Length: 2 m



Item No.: 756-5501/030-010

Sensor/Actuator cable; M12A socket; straight; M8 plug; straight; 3-pole; Length: 1 m



Item No.: 756-5501/030-020

Sensor/Actuator cable; M12A socket; straight; M8 plug; straight; 3-pole; Length: 2 m



Item No.: 756-5112/030-015

Sensor/Actuator cable; M8 plug; angled; 3-pole; Length: 1.5 m



Item No.: 756-5112/030-100

Sensor/Actuator cable; M8 plug; angled; 3-pole; Length: 10 m



Item No.: 756-5112/030-050

Sensor/Actuator cable; M8 plug; angled; 3-pole; Length: 5 m



Item No.: 756-5111/030-015

Sensor/Actuator cable; M8 plug; straight; 3-pole; Length: 1.5 m



Item No.: 756-5111/030-100

Sensor/Actuator cable; M8 plug; straight; 3-pole; Length: 10 m



Item No.: 756-5111/030-050

Sensor/Actuator cable; M8 plug; straight; 3-pole; Length: 5 m

1.2.1.2 Sensor/actuator cable



Item No.: 756-5204/030-010

Sensor/Actuator cable; M8 socket; angled; M8 plug; angled; 3-pole; Length: 1 m



Item No.: 756-5204/030-020

Sensor/Actuator cable; M8 socket; angled; M8 plug; angled; 3-pole; Length: 2 m



Item No.: 756-5203/030-010

Sensor/Actuator cable; M8 socket; angled; M8 plug; straight; 3-pole; Length: 1 m



Item No.: 756-5203/030-020

Sensor/Actuator cable; M8 socket; angled; M8 plug; straight; 3-pole; Length: 2 m



Item No.: 756-5202/030-010

Sensor/Actuator cable; M8 socket; straight; M8 plug; angled; 3-pole; Length: 1 m



Item No.: 756-5202/030-020

Sensor/Actuator cable; M8 socket; straight; M8 plug; angled; 3-pole; Length: 2 m



Item No.: 756-5201/030-010

Sensor/Actuator cable; M8 socket; straight; M8 plug; straight; 3-pole; Length: 1 m



Item No.: 756-5201/030-020

Sensor/Actuator cable; M8 socket; straight; M8 plug; straight; 3-pole; Length: 2 m