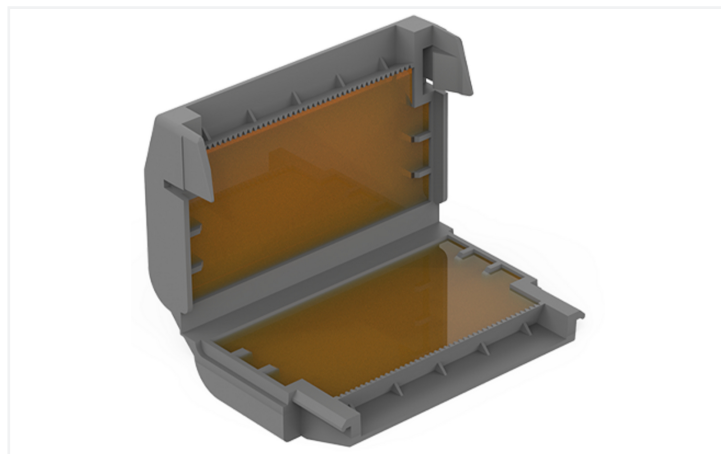


## Data Sheet | Item Number: 207-1433

Gelbox; Branch; for cables; with gel; 221 Series; max. 6 mm<sup>2</sup> connectors; without splicing connectors; Size 3; gray

<https://www.wago.com/207-1433>



Color: ■ gray

### Application Examples

- Bathroom installation (DIN VDE 0100-701)
- Washing facilities/irrigation systems
- Farms and garden centers (DIN VDE 0100-0705)
- Swimming pool areas (DIN VDE 0100-702)
- Parking lot lighting
- Charging stations and lighting systems in ports

### Note on Packaging Unit (PU) and Subpackaging Unit (SPU):

If you order a full PU, you will receive our eco-friendly, sustainable cardboard blisters packed in a shelf-ready box.

If you order a quantity smaller than a full PU, you will receive the eco-friendly, sustainable cardboard blisters without a shelf-ready box.

Please refer to the system description for the splicing connectors that can be used.

### Your Benefits:

- Easy, fast and safe to use
- Can be used immediately and accessed again later
- Silicon-free
- Label-free
- Suitable for indefinite storage
- The complete system, which consists of gelboxes and WAGO splicing connectors, has been VDE-tested and IPX8-certified.

### Connection data

#### Connection 1

|                |                |
|----------------|----------------|
| Actuation type | Locking system |
|----------------|----------------|

### Physical data

|        |                        |
|--------|------------------------|
| Width  | 57 mm / 2.244 inches   |
| Height | 21.3 mm / 0.839 inches |
| Depth  | 40.1 mm / 1.579 inches |

### Mechanical data

|                 |   |
|-----------------|---|
| Design          | Size 3                                    |
| Mounting type   | Flying leads                              |
| Protection type | IPX8                                      |
| Suitable        | for 6 mm <sup>2</sup> splicing connectors |

### Material data

|                      |  |
|----------------------|--|
| Note (material data) | <a href="#">Information on material specifications can be found here</a> |
| Color                | gray   |
| Housing material     | Polypropylene  |
| Fire load            | 0 MJ   |
| Weight               | 35.4 g   |

### Environmental requirements

|                                 |                |
|---------------------------------|----------------|
| Ambient temperature (operation) | -55 ... +85 °C |
| Ambient temperature (storage)   | 0 ... +40 °C   |

### Commercial data

|                       |               |
|-----------------------|---------------|
| ETIM 9.0              | EC001170      |
| ETIM 8.0              | EC001170      |
| PU (SPU)              | 24 (2) pcs    |
| Packaging type        | Box           |
| Country of origin     | IT            |
| GTIN                  | 4055144097306 |
| Customs tariff number | 85389099990   |

### Environmental Product Compliance

|                        |                         |
|------------------------|-------------------------|
| RoHS Compliance Status | Compliant, No Exemption |
|------------------------|-------------------------|

### Approvals / Certificates

#### General approvals



| Approval                                     | Standard | Certificate Name |
|--|----------|------------------|
| VDE<br>VDE Prüf- und Zertifizierungsinstitut | EN 60669 | 400051938        |

#### Declarations of conformity and manufacturer's declarations

| Approval   | Standard | Certificate Name |
|--|----------|------------------|
| EU-Declaration of Conformity<br>WAGO GmbH & Co. KG | -        | -                |
| UK-Declaration of Conformity<br>WAGO GmbH & Co. KG | -        | -                |

Downloads

Environmental Product Compliance

Compliance Search

Environmental Product Compliance 207-1433



Documentation

System Description

|   |                   |  |
|---|-------------------|--|
| System Description 207 Series Gel boxes | pdf<br>1156.45 KB |  |
| System Description 207 Series Gel boxes | pdf<br>1191.37 KB |  |

Additional Information

|                      |                   |  |
|----------------------|-------------------|--|
| Certificate          | pdf<br>2308.76 KB |  |
| DLG Test Report 7438 | pdf<br>1455.46 KB |  |

Bid Text

|          |                  |  |
|----------|------------------|--|
| 207-1433 | xml<br>3.58 KB   |  |
| 207-1433 | docx<br>20.42 KB |  |

CAD/CAE-Data

CAD data

|                       |  |
|-----------------------|--|
| 2D/3D Models 207-1433 |  |
|-----------------------|--|

Installation Notes

Installation



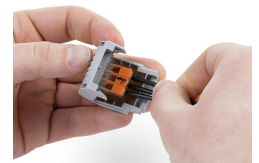
Open the Gelbox at the side latches.



Place the wired connector in the Gelbox.



Place the wired connector in the Gelbox.



Close the Gelbox.



Close latch securely.



Re-accessible:

- Open the Gelbox.
- Remove the gel.
- Rewire with new components.



Lift the flap and pull the cover perforation forward.



Press in the perforation on the sides.



Tear off the cover from the perforation.



As a counter display: Bend the rear flap at the fold, straighten it and fix it in the cardboard cut-out



If the flap is not required, tear off from the perforation.