

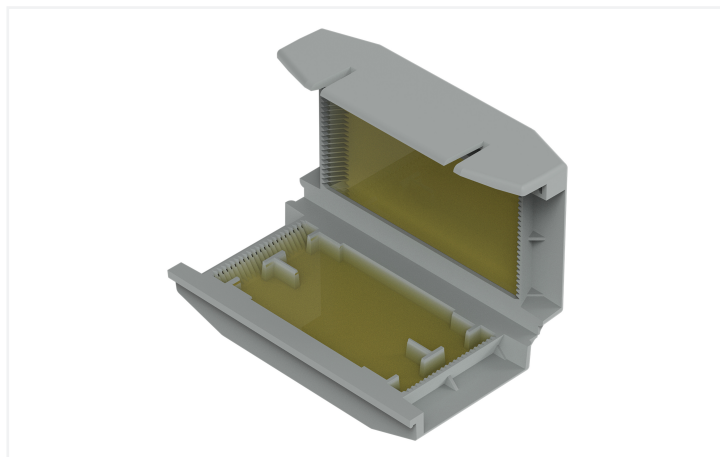
## Data Sheet | Item Number: 207-1372

Gelbox; inline connection; for cables; with gel; 221 Series; max. 4 mm<sup>2</sup> connectors; without splicing connectors; Size 1; gray

<https://www.wago.com/207-1372>



Color: ■ gray



### Application Examples

- Bathroom installation
- Washing facilities/irrigation systems
- Parking lot lighting
- Farms and garden centers
- Swimming pool areas
- Charging stations and lighting systems in ports

### Note on Packaging Unit (PU) and Subpackaging Unit (SPU):

If you order a full PU, you will receive our eco-friendly, sustainable cardboard blisters packed in a shelf-ready box.

If you order a quantity smaller than a full PU, you will receive the eco-friendly, sustainable cardboard blisters without a shelf-ready box.

Please refer to the system description for the splicing connectors that can be used.

### Your benefits:

- Easy, fast and safe to use
- Can be used immediately and accessed again later
- Silicon-free
- Label-free
- Suitable for indefinite storage
- The complete system consisting of WAGO's gelboxes and splicing connectors has been VDE-tested and IPX8-certified.

## Connection data

### Connection 1

Actuation type	Locking system
----------------	----------------

## Physical data

Width	32.7 mm / 1.26 inches
Height	17.8 mm / 0.669 inches
Depth	56.9 mm / 2.205 inches

## Mechanical data

Design	Size 1
Mounting type	Flying leads
Protection type	IPX8
Suitable	for 4 mm <sup>2</sup> inline splicing connectors

## Material data

Note (material data)	<a href="#">Information on material specifications can be found here</a>
Color	gray
Housing material	Polypropylene
Fire load	0 MJ
Weight	19.8 g

## Environmental requirements

Ambient temperature (operation)	-55 ... +85 °C
Ambient temperature (storage)	0 ... +40 °C

## Commercial data

ETIM 9.0	EC001170
ETIM 8.0	EC001170
PU (SPU)	28 (4) pcs
Packaging type	Box
Country of origin	DE
GTIN	4066966349962
Customs tariff number	85389099990

## Environmental Product Compliance

RoHS Compliance Status	Compliant, No Exemption
------------------------	-------------------------

## Approvals / Certificates

### General approvals



Approval	Standard	Certificate Name
VDE VDE Prüf- und Zertifizierungsinstitut	EN 60998	40051938

## Downloads

### Environmental Product Compliance

#### Compliance Search

Environmental Product Compliance 207-1372



## Documentation

### System Description

System Description 207 Series Gel boxes pdf 1156.45 KB

System Description 207 Series Gel boxes pdf 1191.37 KB

### Additional Information

Certificate pdf 2308.76 KB

DLG Test Report 7438 pdf 1455.46 KB

## CAD/CAE-Data

### CAD data

2D/3D Models 207-1372



## Installation Notes

### Installation



Open the Gelbox at the side latches.



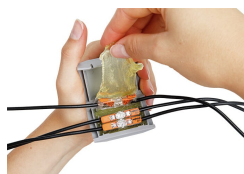
Place the wired connector in the Gelbox.



Close the Gelbox.



Close latch securely.



Re-accessible:  
Open the Gelbox, remove the gel, open the connector and rewire with new components.

Application



For low voltage applications > 50 V, use the Gelbox in a junction box.

Connecting a path light.



Lift the flap and pull the cover perforation forward.



Press in the perforation on the sides.



Tear off the cover from the perforation.



As a counter display: Bend the rear flap at the fold, straighten it and fix it in the cardboard cut-out



If the flap is not required, tear off from the perforation.