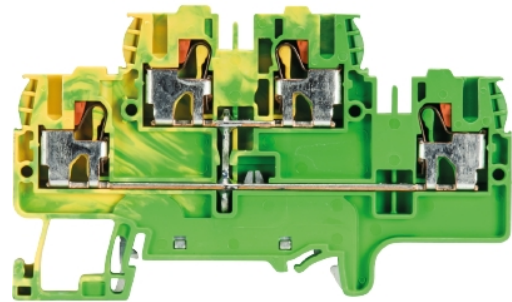


## Data sheet

Commercial Art.No.: 56.203.8955.0

earth terminal WTP 2,5/4 E PE

Ground terminal with push in connection for mounting on TS 35, nominal cross section: 2,5 mm<sup>2</sup>, width: 5 mm, color: Green-yellow



Commercial Art.No.	56.203.8955.0
EAN	4049088186424
Order Unit	100

certificates / approvals



## Technical data

### general

nominal cross section	4 mm <sup>2</sup>
color	green/yellow
number of levels	2
number of clamp positions per level	2
width/grid dimension	5 mm
insulating housing	PA666
flammability class of insulation material acc. with UL94	V0
mounting method	DIN rail (top hat rail)

### technical data

rated voltage	500 V
rated impulse voltage	6 kV
pollution degree	3
closing plate required	yes
type of insulation material	thermoplastic
length	82 mm
width	5 mm

### connection data

connection type	plug-in connection
connection type 1	plug-in connection
minimum cross section solid	0.2 mm <sup>2</sup>

maximum cross section solid	4 mm <sup>2</sup>
minimum cross section fine stranded	0.2 mm <sup>2</sup>
maximum cross section fine stranded	4 mm <sup>2</sup>
minimum cross section stranded	0.2 mm <sup>2</sup>
maximum cross section stranded	4 mm <sup>2</sup>
minumum conductor cross section (flex., stranded) with cable end sleeve	0.2 mm <sup>2</sup>
maximum conductor cross section (flex., stranded) with cable end sleeve	4 mm <sup>2</sup>
wire strip length	11 mm

**technical data UL/CSA**

cross section UL	24-12 AWG
voltage UL	600 V
cross section CSA	24-12 AWG
voltage CSA	600 V

**classification**

ECLASS 11	
ECLASS 8.1	27141120
ETIM 9.0	EC000897
ETIM 8.0	EC000897
ETIM 7.0	EC000897
ETIM 6.0	EC000897
ETIM 5.0	EC000897
ETIM 4.0	EC000897
ETIM 3.0	EC000897

**product compliance**

ROHS conformity status	compliant
REACH-SVHC conformity status	compliant

**Accessories**

Commercial Art.No.:	Article-type description:	Description:
Z7.280.6227.0	jumper bar IVBWK 2,5- 2	Cross connector, insulated for DIN rail terminal blocks type WKF..., 2 - pole
Z7.280.6327.0	jumper bar IVBWK 2,5- 3	Cross connector, insulated for DIN rail terminal blocks type WKF..., 3 - pole
Z7.280.6427.0	jumper bar IVBWK 2,5- 4	Cross connector, insulated for DIN rail terminal blocks type WKF..., 4 - pole
Z7.280.6527.0	jumper bar IVBWK 2,5- 5	Cross connector, insulated for DIN rail terminal blocks type WKF..., 5 - pole
Z7.280.6627.0	jumper bar IVBWK 2,5- 6	Cross connector, insulated for DIN rail terminal blocks type WKF..., 6 - pole
Z7.280.6727.0	jumper bar IVBWK 2,5- 7	Cross connector, insulated for DIN rail terminal blocks type WKF..., 7 - pole
Z7.280.6827.0	jumper bar IVBWK 2,5- 8	Cross connector, insulated for DIN rail terminal blocks type WKF..., 8 - pole
Z7.280.6927.0	jumper bar IVBWK 2,5- 9	Cross connector, insulated for DIN rail terminal blocks type WKF..., 9 - pole

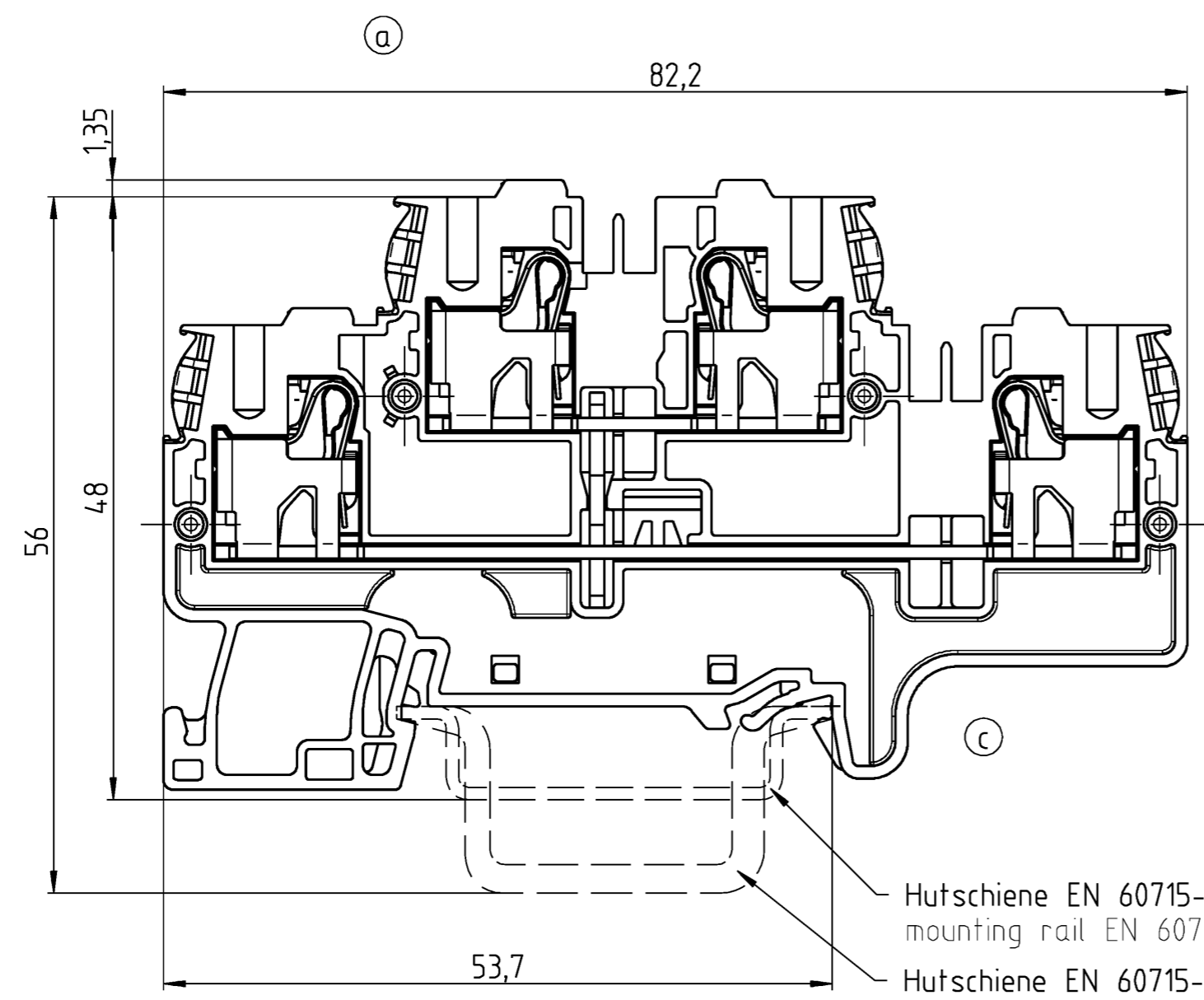
Z7.280.7027.0	jumper bar IVBWKF 2,5- 10	Cross connector, insulated for DIN rail terminal blocks type WKF..., 10 - pole
07.312.7355.0	end plate APFN 2,5 E/35	End plate for DIN rail terminal blocks type WKFN 2,5 E..., color: grey
07.312.7455.0	partition TWFN 2,5 E/35	Partition for DIN rail terminal blocks type WKFN 2,5 E..., color: grey
Z7.280.7127.0	jumper bar IVBWKF 2,5- 11	Cross connector, insulated for DIN rail terminal blocks type WKF..., 11 - pole
Z7.280.7227.0	jumper bar IVBWKF 2,5- 12	Cross connector, insulated for DIN rail terminal blocks type WKF..., 12 - pole
Z7.280.8027.0	jumper bar IVBWKF 2,5- 20	Cross connector, insulated for DIN rail terminal blocks type WKF..., 20 - pole
04.344.2355.8	warning cover AD WTP 2,5	Cover with warning symbol for DIN rail terminal blocks type WTP 2,5, color yellow
05.564.3755.0	wire entry guides LEL 2,5/1 white	Wire entry guides for wires with a nominal cross section of 0.13mm <sup>2</sup> -0.20mm <sup>2</sup> , color: white
04.242.5053.0	marking tag strips 9705 A / 5 / 10	Marking tag strips for DIN rail terminal blocks type 9700 A / 5..., 10 tags per strip, color: white, unmarked, markable with Wieplot plotter-system
98.300.1000.0	mounting rail TS 35x7,5 PERF 15mm - l:2000mm	Mounting rail TS 35, slotted, size 7,5 mm, length 2 m, material steel. galv. zinc-plated and passivated

A  
Weitergabe sowie Vervielfältigung dieses Dokuments, Verwertung und Mitteilung seines Inhalts sind verboten, soweit nicht ausdrücklich gestattet. The reproduction, distribution and utilization of this document as well as the communication of its contents to others without express authorization is prohibited.

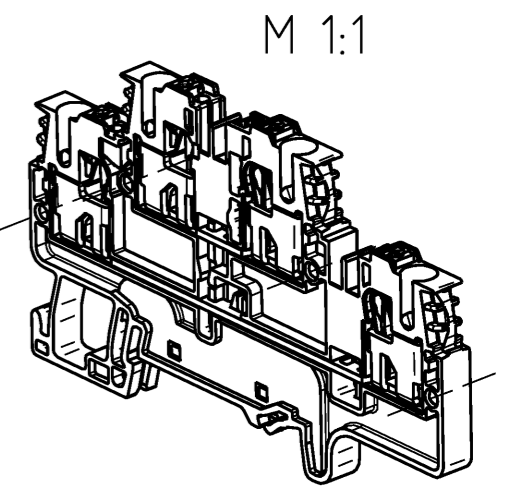
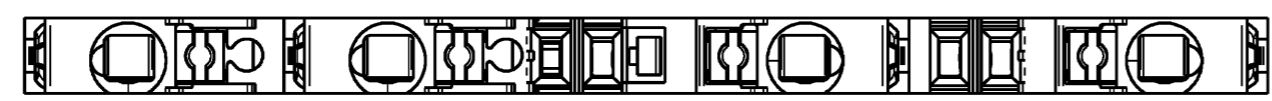
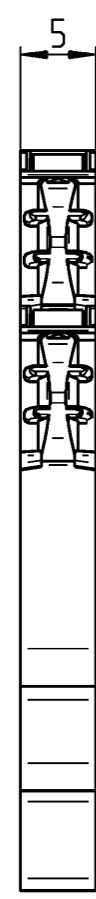
B  
These dimensions will be especially checked at delivery  
Only inspection dimensions  
With /E marked dimensions are only valid for internal use

D  
Diese Maße werden bei Abnahme besonders geprüft  
Ausschließlich Prüfmaße  
Mit /E gekennzeichnete Maße sind nur für interne Zwecke gültig

F



Hutschiene EN 60715-35x7,5  
mounting rail EN 60715-35x7,5  
Hutschiene EN 60715-35x15  
mounting rail EN 60715-35x15



Tolerierung Size ISO 14405 (E) / Tolerance system Size ISO 14405 (E). (This ISO-standard describes the envelope principle. According to the envelope principle the deviations of form and parallelism are limited by the size tolerances).		ja/yes <input checked="" type="checkbox"/> Stoffverbots- und Deklarationsliste nach WN 5020.010 ist einzuhalten. Conformity with Wieland document WN 5020.010 e (list of prohibited / declarable hazardous substances) to be declared!	
Freitoleranz nach General tolerance		CAD - Zeichnung, keine manuellen Änderungen CAD - drawing, no manual modifications allowed	1. Verwendung: First Use: -
		Blatt: Sheet: 1 von of 1	
		Zeichnung Nr. / Drawing No.	
		56.203.8955.0 01K c	
		Maße in mm / Dimensions are in mm	
c	22.08.2017 /	Vol.	mm <sup>3</sup> Dfl./Srf. mm <sup>2</sup>
b	20.04.2015 /	Ersatz für / Replacement for:	
a	12.11.2014 /	Type	Benennung/Title
Index	Datum / Blatt Date / Sheet	wieland www.wieland-electric.com	WTP 2,5/4 E PE GROUND_TB Schutzleiter-Etagenklemme Push In Terminal
Änderung / Revision			