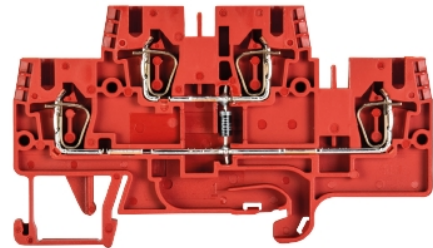


Data sheet

Commercial Art.No.: 56.703.8255.5

multi-tier terminal WKFN 2,5 E/35/GO

Duo Feed-through terminal with tension spring connection for mounting on TS 35,
nominal cross section: 2.5 mm², width: 5 mm, color: red



Commercial Art.No.	56.703.8255.5
EAN	4015573748057
Order Unit	100

certificates / approvals



Technical data

general

nominal cross section	2.5 mm ²
color	red
number of levels	2
number of clamp positions per level	2
width/grid dimension	5 mm
insulating housing	PA666
flammability class of insulation material acc. with UL94	V0
mounting method	DIN rail (top hat rail) 35/7.5 mm
terminal blocks for electrical installations	yes
type of component	diode

technical data

rated current	1 A
rated voltage	500 V
pollution degree	3
closing plate required	yes
type of insulation material	thermoplastic
length	82.2 mm

connection data

connection type 1	spring clamp connection
connection type 2	spring clamp connection
minimum cross section solid	0.14 mm ²
maximum cross section solid	4 mm ²
minimum cross section fine stranded	0.14 mm ²
maximum cross section fine stranded	2.5 mm ²
wire strip length	11 mm

technical data UL/CSA

cross section UL	22-12 AWG
current factory wiring	1 A
current field wiring	1 A
cross section CSA	22-12 AWG
voltage CSA	600 V
current CSA	20 A

classification

ECLASS 11	
ECLASS 8.1	27141127
ETIM 9.0	EC000903
ETIM 8.0	EC000903
ETIM 7.0	EC000903
ETIM 6.0	EC000903
ETIM 5.0	EC000903
ETIM 4.0	EC000903
ETIM 3.0	EC000903

product compliance

ROHS conformity status	compliant
REACH-SVHC conformity status	compliant

Accessories

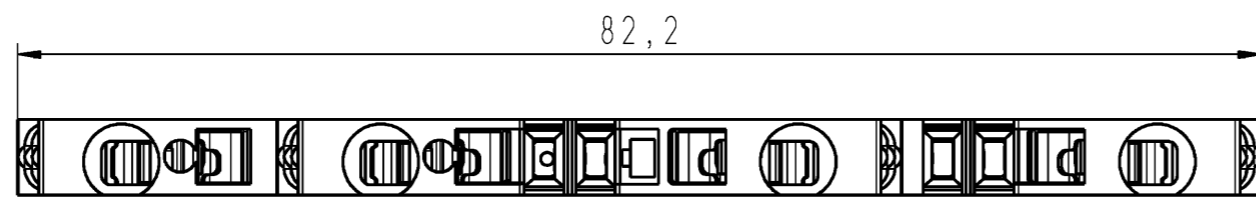
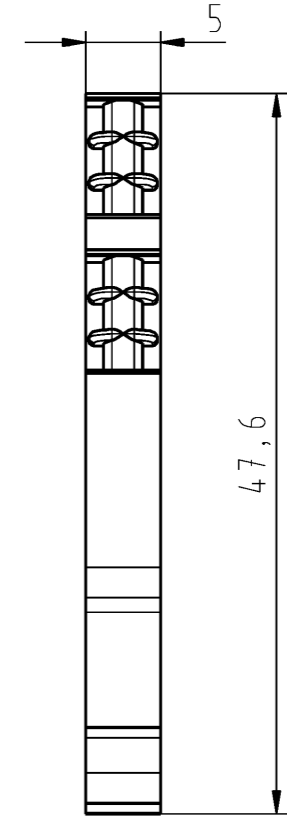
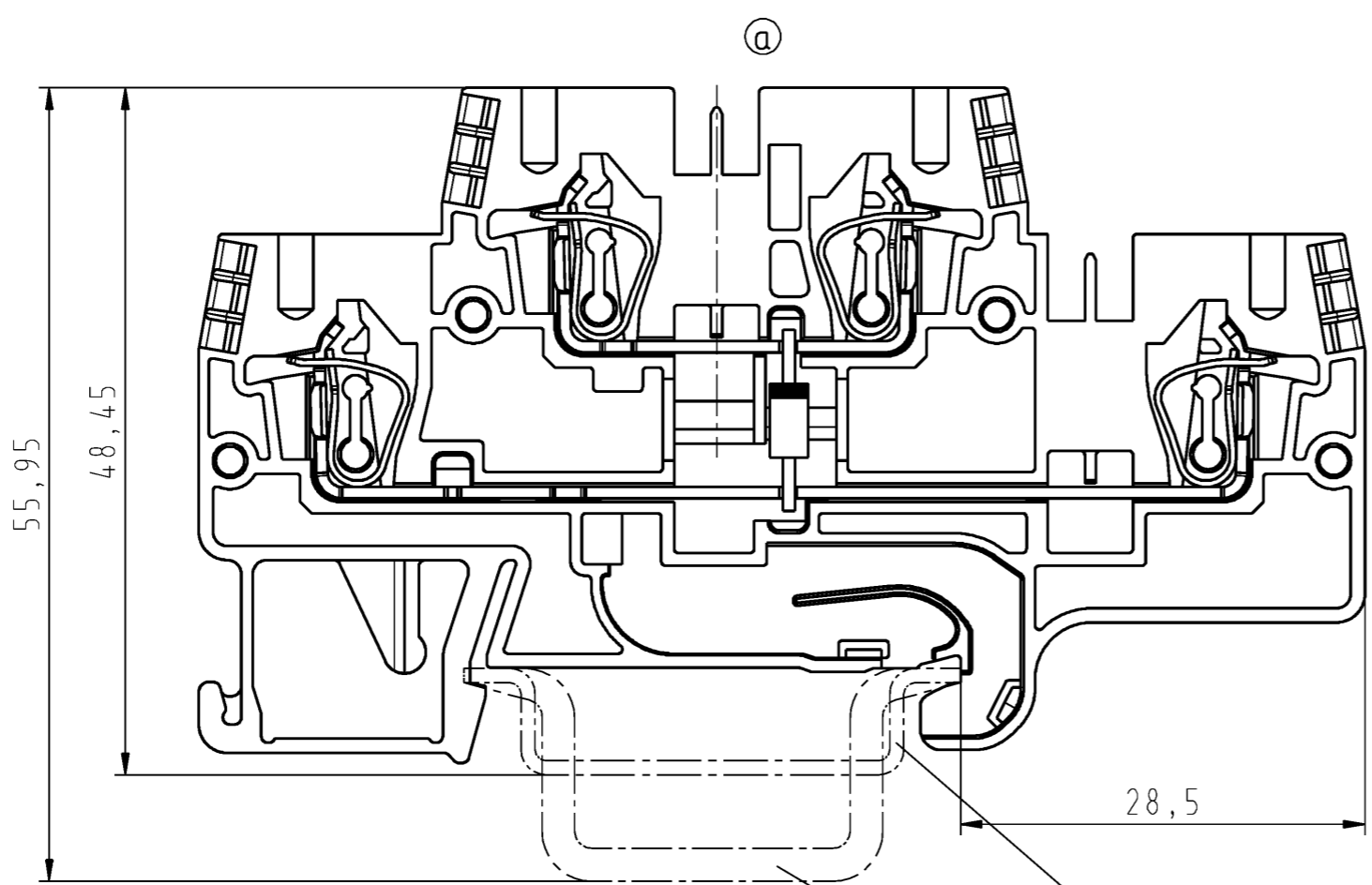
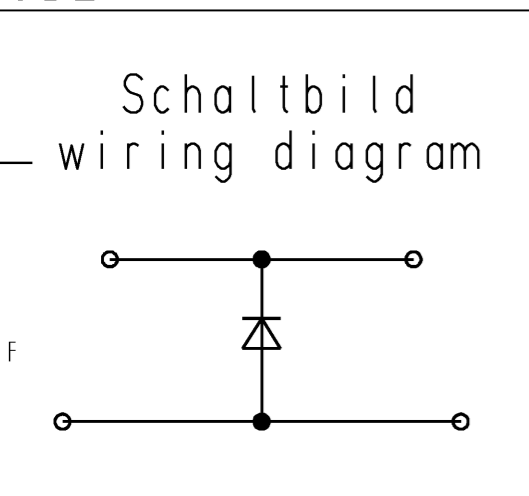
Commercial Art.No.:	Article-type description:	Description:
Z7.280.6227.0	jumper bar IVBWK 2,5- 2	Cross connector, insulated for DIN rail terminal blocks type WKF..., 2 - pole
Z7.280.6327.0	jumper bar IVBWK 2,5- 3	Cross connector, insulated for DIN rail terminal blocks type WKF..., 3 - pole
Z7.280.6427.0	jumper bar IVBWK 2,5- 4	Cross connector, insulated for DIN rail terminal blocks type WKF..., 4 - pole
Z7.280.6527.0	jumper bar IVBWK 2,5- 5	Cross connector, insulated for DIN rail terminal blocks type WKF..., 5 - pole
Z7.280.6627.0	jumper bar IVBWK 2,5- 6	Cross connector, insulated for DIN rail terminal blocks type WKF..., 6 - pole
Z7.280.6727.0	jumper bar IVBWK 2,5- 7	Cross connector, insulated for DIN rail terminal blocks type WKF..., 7 - pole
Z7.280.6827.0	jumper bar IVBWK 2,5- 8	Cross connector, insulated for DIN rail terminal blocks type WKF..., 8 - pole
Z7.280.6927.0	jumper bar IVBWK 2,5- 9	Cross connector, insulated for DIN rail terminal blocks type WKF..., 9 - pole
Z7.280.7027.0	jumper bar IVBWK 2,5- 10	Cross connector, insulated for DIN rail terminal blocks type WKF..., 10 - pole
07.312.7355.0	end plate APFN 2,5 E/35	End plate for DIN rail terminal blocks type WKFN 2,5 E..., color: grey
07.312.7455.0	partition TWFN 2,5 E/35	Partition for DIN rail terminal blocks type WKFN 2,5 E..., color: grey
Z7.280.7127.0	jumper bar IVBWK 2,5- 11	Cross connector, insulated for DIN rail terminal blocks type WKF..., 11 - pole
Z7.280.7227.0	jumper bar IVBWK 2,5- 12	Cross connector, insulated for DIN rail terminal blocks type WKF..., 12 - pole

Z7.280.8027.0	jumper bar IVBWK 2,5- 20	Cross connector, insulated for DIN rail terminal blocks type WKF..., 20 - pole
98.300.1000.0	mounting rail TS 35x7,5 PERF 15mm - l:2000mm	Mounting rail TS 35, slotted, size 7,5 mm, length 2 m, material steel. galv. zinc-plated and passivated

A
 Weitergabe sowie Vervielfältigung dieses Dokuments, Verwertung und Mitteilung seines Inhalts sind verboten, soweit nicht ausdrücklich gestattet. The reproduction, distribution and utilization of this document as well as the communication of its contents to others without express authorization is prohibited.

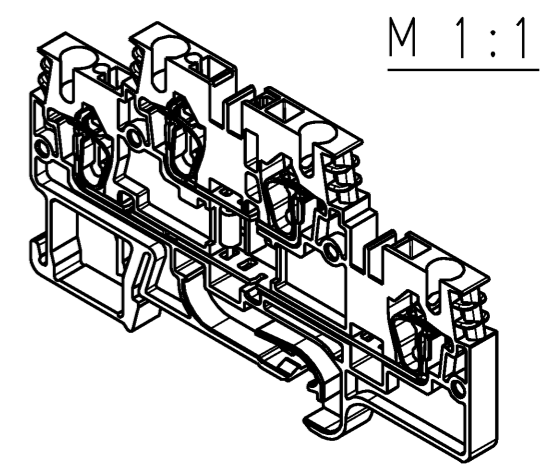
B
 These dimensions will be especially checked at delivery
 Only inspection dimensions
 With /E marked dimensions are only valid for internal use

D
 Diese Maße werden bei Abnahme besonders geprüft
 Ausschließlich Prüfmaße
 Mit /E gekennzeichnete Maße sind nur für interne Zwecke gültig



Hutschiene EN 60715-35x7,5
 mounting rail EN 60715-35x7,5

Hutschiene EN 60715-35x15
 mounting rail EN 60715-35x15



Weitere Daten siehe Katalog
 further data see catalog

Tolerierung Size ISO 14405 (E) / Tolerance system Size ISO 14405 (E). (This ISO-standard describes the envelope principle. According to the envelope principle the deviations of form and parallelism are limited by the size tolerances).		ja/yes <input checked="" type="checkbox"/> Stoffverbots- und Deklarationsliste nach WN 5020.010 ist einzuhalten. Conformity with Wieland document WN 5020.010 e (list of prohibited / declarable hazardous substances) to be declared!	
Freitoleranz nach General tolerance		CAD - Zeichnung, keine manuellen Änderungen CAD - drawing, no manual modifications allowed	
1 Verwendung: First Use:		Blatt: 1 von 1 Sheet: 1 of 1	
Werkstoff / Material		Zeichnung Nr. / Drawing No.	
Tag/Date		Name	
gezeichnet drawn		07.11.2006 Schmitt J.	
geprüft checked			
Normgepr. Stand. check			
Maße in mm / Dimensions are in mm		56.703.8255.5 01K a	
Vol. mm ³ / fl./Srf. mm ²		Ersatz für / Replacement for:	
a 25.07.2017 / Index Datum / Blatt Date / Sheet		Type Benennung/Title	
www.wieland-electric.com		WKFN 2,5 E/35 GO	
Änderung / Revision		ETAGENKLEMME mit Silizium Diode/with silicon diode 1N4007 Multi-tier terminal block	