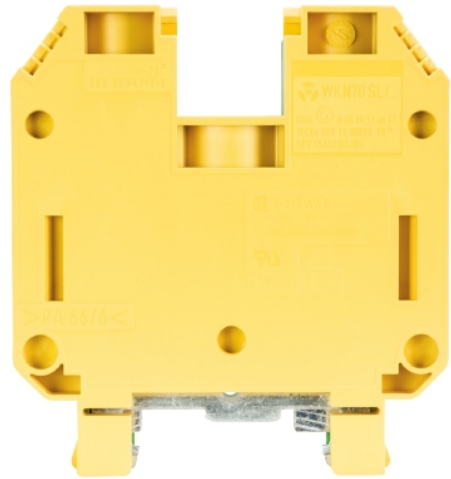


Data sheet

Commercial Art.No.: 57.570.9055.0

earth terminal WKN 70 SL

Ground terminal with Screw connection for mounting on TS 35, nominal cross section: 70 mm², width: 24 mm, color: Green-yellow



Commercial Art.No.	57.570.9055.0
EAN	4015573662407
Order Unit	20

certificates / approvals



CAN-Ex

ATEX



SEV-Ex



Technical data

general

nominal cross section	70 mm ²
color	green/yellow
number of levels	1
number of clamp positions per level	2
width/grid dimension	24 mm
insulating housing	PA666
flammability class of insulation material acc. with UL94	V0
explosion-tested version "Ex e"	yes
mounting method	DIN rail (top hat rail)/G-rail
terminal blocks for electrical installations	no

technical data

rated voltage	800 V
rated impulse voltage	8 kV
pollution degree	3
closing plate required	no
type of insulation material	thermoplastic
length	75.2 mm

connection data

connection type 1	screw connection
connection type 2	screw connection

minimum cross section fine stranded	10 mm ²
maximum cross section fine stranded	70 mm ²
minimum cross section stranded	16 mm ²
maximum cross section stranded	95 mm ²
wire strip length	24 mm
torque conductor mounting	6 Nm
torque rail mounting	6 Nm

technical data UL/CSA

cross section UL	6-2/0 AWG
voltage UL	600 V
cross section CSA	6-2/0 AWG
voltage CSA	600 V

classification

ECLASS 11	
ECLASS 8.1	27141141
ETIM 9.0	EC000901
ETIM 8.0	EC000901
ETIM 7.0	EC000901
ETIM 6.0	EC000901
ETIM 5.0	EC000901
ETIM 4.0	EC000901
ETIM 3.0	EC000901

product compliance

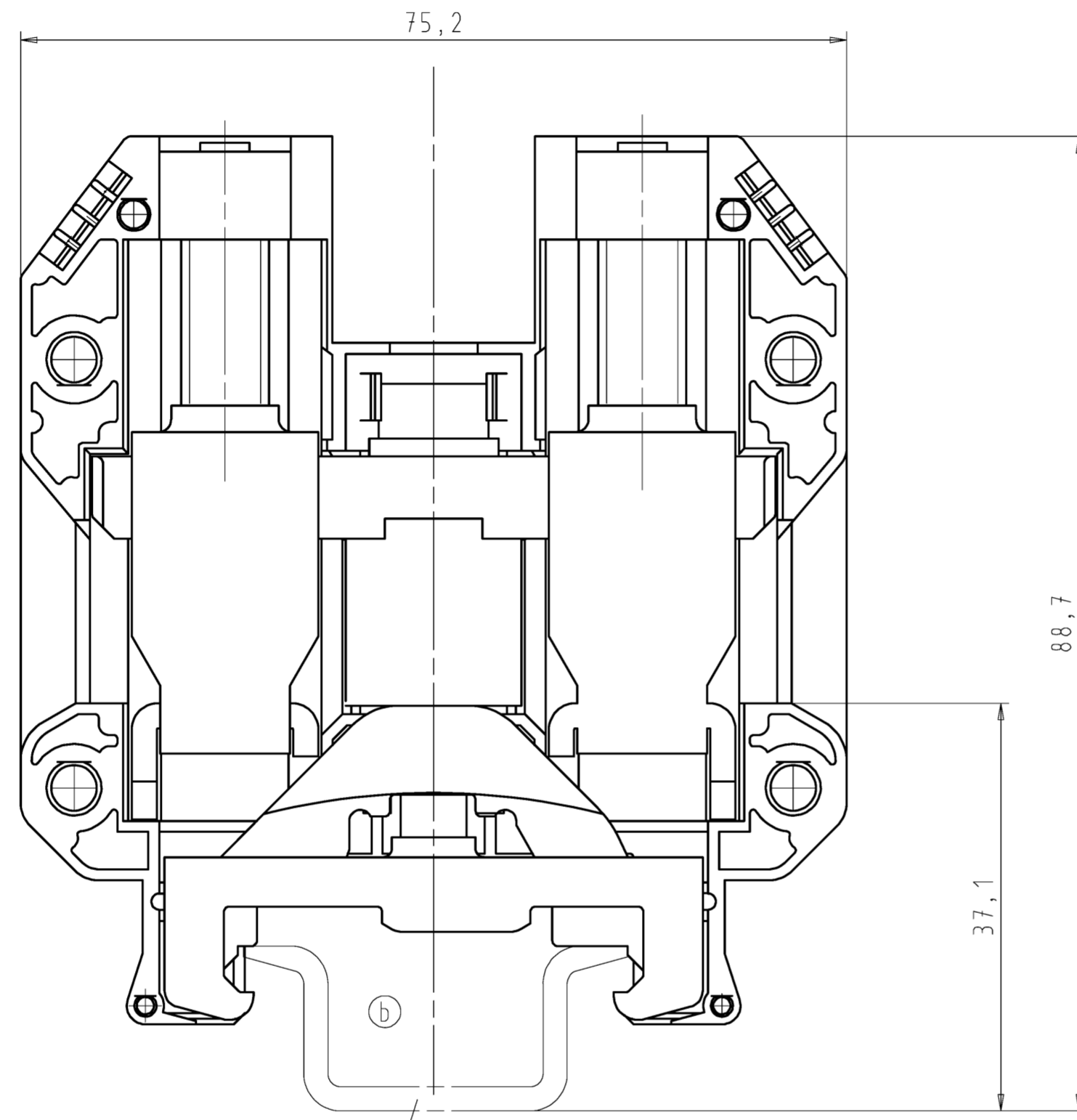
ROHS conformity status	compliant/exempted
ROHS exceptions	III-6(c)
REACH-SVHC conformity status	Duty-To-Declare
REACH-SVHC substances	Lead
REACH-SVHC CAS numbers	7439-92-1

Accessories

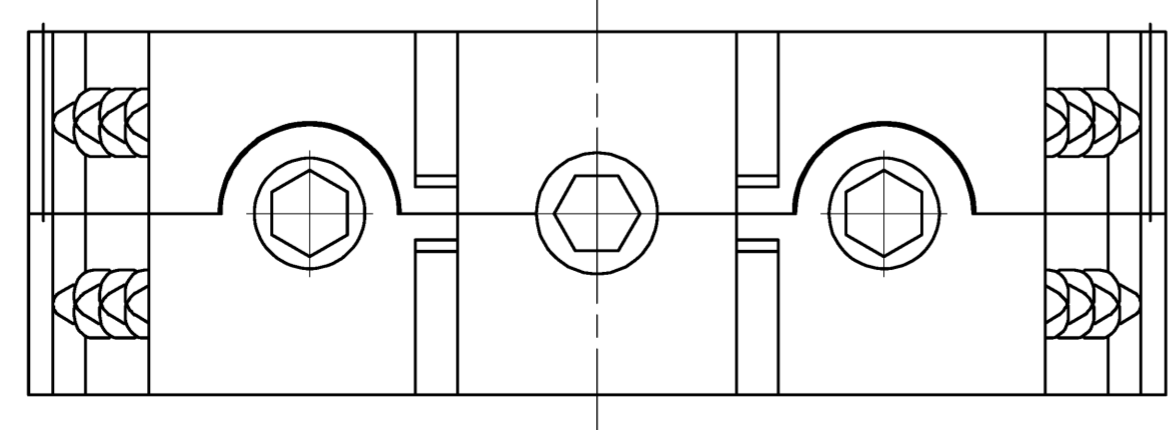
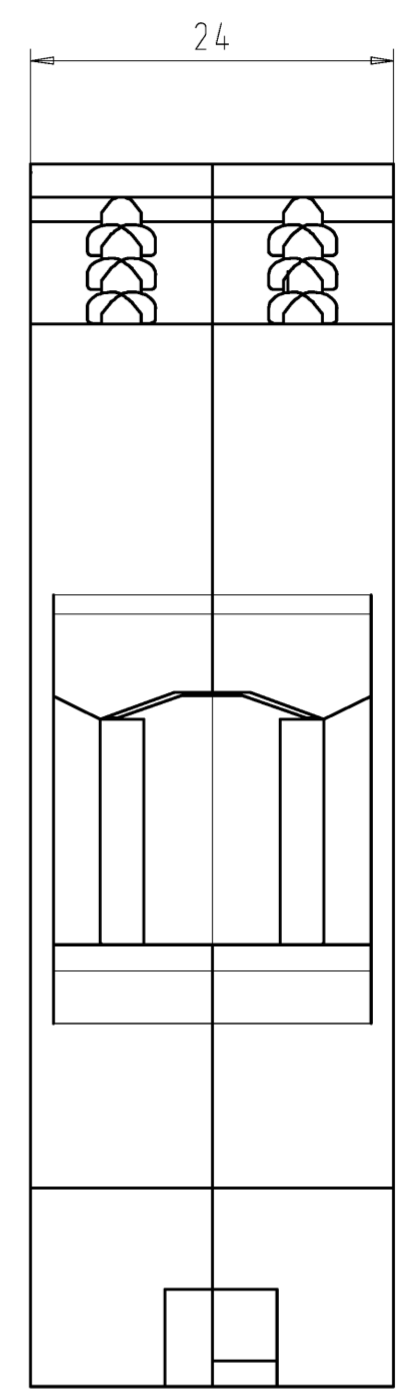
Commercial Art.No.:	Article-type description:	Description:
04.242.6053.0	marking tag strips 9705 A / 6 / 10	Marking tag strips for DIN rail terminal blocks type 9700 A / 6..., 10 tags per strip, color: white, unmarked, markable with Wieplot plotter-system

These dimensions will be especially checked at delivery
 Only inspection dimensions
 With /E marked dimensions are only valid for internal use

Diese Maße werden bei Abnahme besonders geprüft
 Ausschließlich Prüfmaße
 Mit /E gekennzeichnete Maße sind nur für interne Zwecke gültig



Hutschiene EN 60715 Cu -35x15
 mounting rail EN 60715 Cu -35x15



Weitere Daten siehe Katalog
 further data see catalog

Teilenummer part number	Typ type
57.570.9055.0	WKN 70 SL

Tolerierung nach DIN 7167/Tolerance system acc. to DIN 7167. (This DIN-standard describes the envelope principle. According to the envelope principle the deviations of form and parallelism are limited by the size tolerances).		ja/yes <input checked="" type="checkbox"/> Stoffverbot/- und Deklarationsliste nach UJ-TQM-05/03 ist einzuhalten. (Conformity with Wieland document UJ-TQM-05/03 [list of prohibited / declarable hazardous substances] to be declared!)	
Freitoleranz nach General tolerance	-	CAD - Zeichnung, keine manuellen Änderungen CAD - drawing, no manual modifications allowed	1. Verwendung: First Use:
		Blatt: Sheet:	1 von 1 of
		Zeichnung Nr./Drawing No.	Index
		57.570.9055.0 01K	b
Maße in mm/Dimensions are in mm			
		Ersatz für/Replacement for: -	
b	02.06.2015/	wieland	Typ WKN 70 SL/U
a	28.07.2008/		
Index	Datum / Blatt Date / Sheet	Benennung/Title SCHUTZLEITERKLEMME	
Änderung/Revision		earth terminal	

Weitergabe sowie Vervielfältigung dieses Dokuments, Verwertung und Mitteilung seines Inhalts sind verboten, soweit nicht ausdrücklich gestattet.
 The reproduction, distribution and utilization of this document as well as the communication of its contents to others without express authorization is prohibited.