

Data sheet

Commercial Art.No.: 57.904.5755.0

fuse terminal WK 4/THSI 5 GL 250U /V0

Fuse terminal block with screw connection for mounting on TS 35 and TS 32, nominal cross section 4 mm², width 6 mm, color gray



Commercial Art.No.	57.904.5755.0
EAN	4015573528338
Order Unit	50

certificates / approvals



Technical data

general

nominal cross section	4 mm ²
color	grey
number of levels	1
width/grid dimension	8 mm
insulating housing	PA666
flammability class of insulation material acc. with UL94	V0
mounting method	DIN rail (top hat rail)/G-rail
terminal blocks for electrical installations	no
fuse insert	G-fuse 5x20 mm

technical data

rated current	6.3 A
rated voltage	250 V
rated impulse voltage	8 kV
pollution degree	3
closing plate required	no
type of insulation material	thermoplastic
length	77.2 mm

connection data

connection type 1	screw connection
connection type 2	screw connection

minimum cross section solid	0.5 mm ²
maximum cross section solid	6 mm ²
minimum cross section fine stranded	0.5 mm ²
maximum cross section fine stranded	4 mm ²
wire strip length	8 mm
torque conductor mounting	0.5 Nm

technical data UL/CSA

cross section UL	22-10 AWG
voltage UL	250 V
current factory wiring	15 A
current field wiring	15 A
cross section CSA	22-10 AWG
voltage CSA	250 V
current CSA	6.3 A

additional data

remark to rated voltage	note max power loss
remark to rated current	note max power loss
defect indicator	glow lamp
voltage type for defect indication	AC/DC
minimum operating voltage of defective display	110 V
maximum operating voltage of defective display	250 V

classification

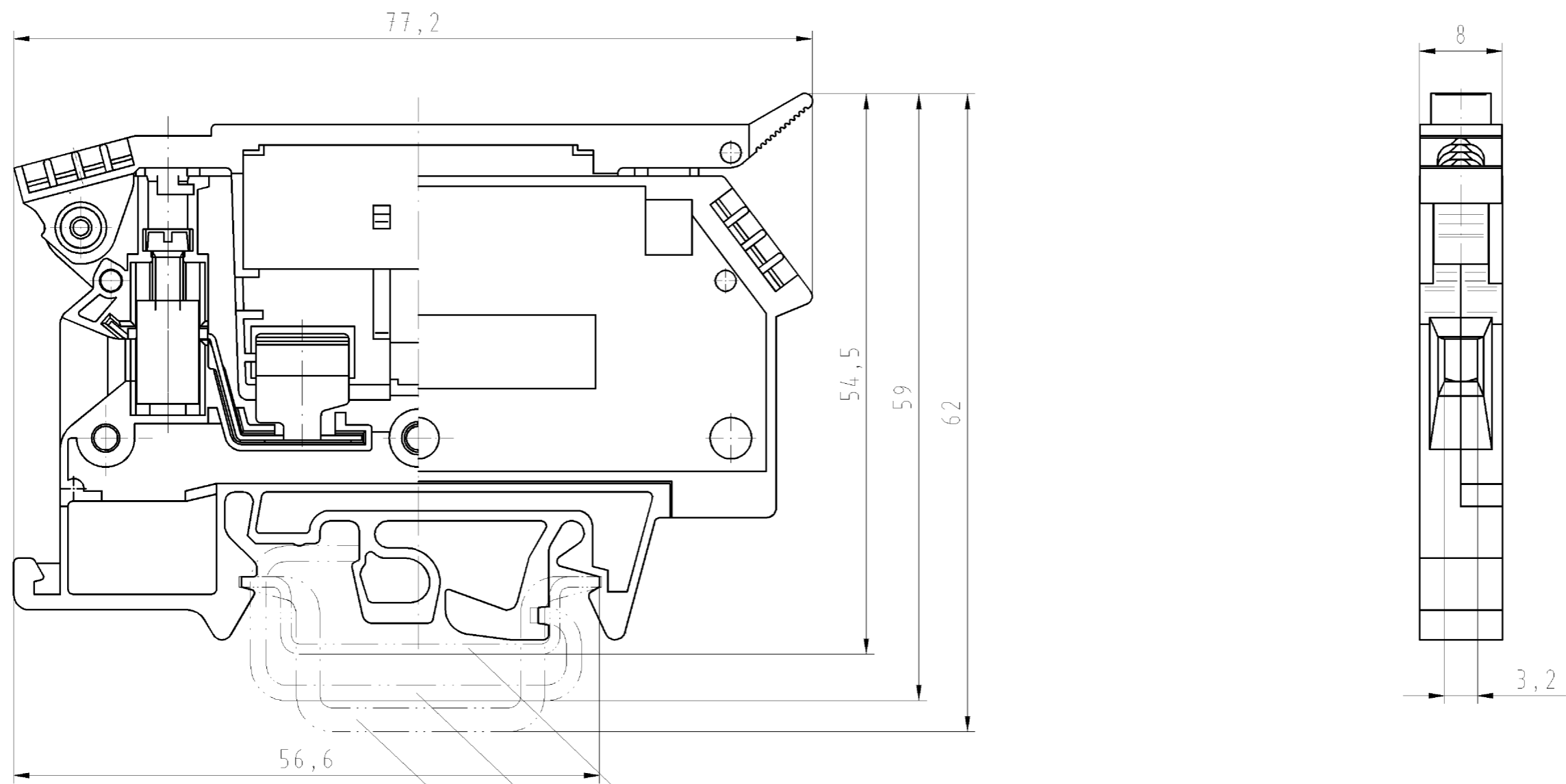
ECLASS 11	
ECLASS 8.1	27141116
ETIM 9.0	EC000899
ETIM 8.0	EC000899
ETIM 7.0	EC000899
ETIM 6.0	EC000899
ETIM 5.0	EC000899
ETIM 4.0	EC000899
ETIM 3.0	EC000899

product compliance

ROHS conformity status	compliant/exempted
ROHS exceptions	III-6(c)
REACH-SVHC conformity status	Duty-To-Declare
REACH-SVHC substances	Lead
REACH-SVHC CAS numbers	7439-92-1

Weitergabe sowie Vervielfältigung dieses Dokuments, Verwertung und Mitteilung seines Inhalts sind verboten, soweit nicht ausdrücklich gestattet.
 The reproduction, distribution and utilization of this document as well as the communication of its contents to others without express authorization is prohibited.

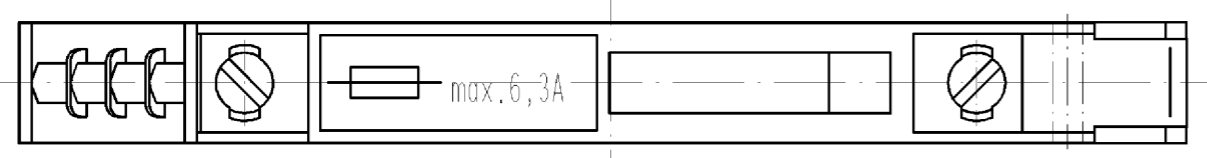
1
2
3
4
5
6
7
8
9
10
11
12
13
14
15
16
17
18
19
20
M1
M2
M3
L
G
1.1
2.1
1.1



○ Diese Maße werden bei Abnahme besonders geprüft
 ○ Ausschließlich Prüfmaße
 ○ Mit AE gekennzeichnete Maße sind nur für interne Zwecke gültig

- Hutschiene EN 60715-35x7,5
mounting rail EN 60715-35x7,5
- G-Schiene EN 60715-G 32
g-rail EN 60715-G 32
- Hutschiene EN 60715-35x15
mounting rail EN 60715-35x15

Teile.-Nr./part-nr.	Farbe/colour	Typ/type
57.904.5355.0	grau/grey	WK4/THS15...U
57.904.5455.0	grau/grey	WK4/THS15 LED 12 U
57.904.5555.0	grau/grey	WK4/THS15 LED 24 U
57.904.5655.0	grau/grey	WK4/THS15 LED 60 U
57.904.5755.0	grau/grey	WK4/THS15 GL 250 U
57.904.5855.0	grau/grey	WK4/THS15 GL 500 U



Weitere Daten siehe Katalog
 further data see catalog

Freitoleranz nach DIN -		CAD - Zeichnung, keine manuellen Änderungen			1. Verwendung: -		Bl.: 1 von 1	
	/	Maßstab	2003	Tag	Name	Zeichnung Nr.		Index
	/	2:1	Entworfen	22.04.	Lunz S.	T 57.904.5355.0 01K		
	/		Geprüft	-	-	Ersatz für: -		
	/		Normgepr.	-	-			
Buchstabe		Datum / Blatt		Änderung		Benennung		
						SICHERUNGSKLEMME		
						fuse terminal		



Typ
siehe
Tabelle