

## Data sheet

Commercial Art.No.: 83.041.0769.1

mobile Router WIENET LTE WR V3 SL 5-PORT WIFI

wienet LTE v3 Router, metal housing, Interface: 5x Ethernet 10/100 Mbit/s, 1xUSB, 2xDI, 1xDO, 1xSD holder, 2x SIM, Wi-Fi 802.11 b/g/n, Power supply: 10-60 V DC, Configuration: Web server, VPN: openVPN, IPsec, L2TP, PPTP, GRE, EasyVPN, Network: DHCP, NAT, PAT, VRRP, DynDNS client, VLAN, QoS, DMVPN, PPPoE Bridge, Dial-In, NTP client-server, IGMP, BGP, OSPF, RIP, SMTP, SMTPS, Backup routes, Control and Diagnostic: SMS, SNMP v1/v2c/v3, Statuses



Commercial Art.No.	83.041.0769.1
EAN	4049088328428
Order Unit	1

## Technical data

### Allgemein

mounting method	DIN rail (top hat rail)
degree of protection (IP)	IP30
housing material	aluminum
port 1	5x Ethernet
port 2	WIFI
ethernet	yes
Fast Ethernet	yes
Gigabit Ethernet	no
switchable profiles	4
LED status indication	PWR, USR, DAT, IN0, IN1, OUT, Ethernet

### supply circuit

voltage type	DC
operating voltage min.	10 V
operating voltage max.	60 V
power consumption max.	< 4 W

### dimensions

depth	97 mm
width	55 mm
height	125 mm
weight	375 g

### classification

ECLASS 11	
-----------	--

ECLASS 8.1	19170103
ETIM 9.0	EC001478
ETIM 8.0	EC001478
ETIM 7.0	EC001478
ETIM 6.0	EC001478
ETIM 5.0	EC001478

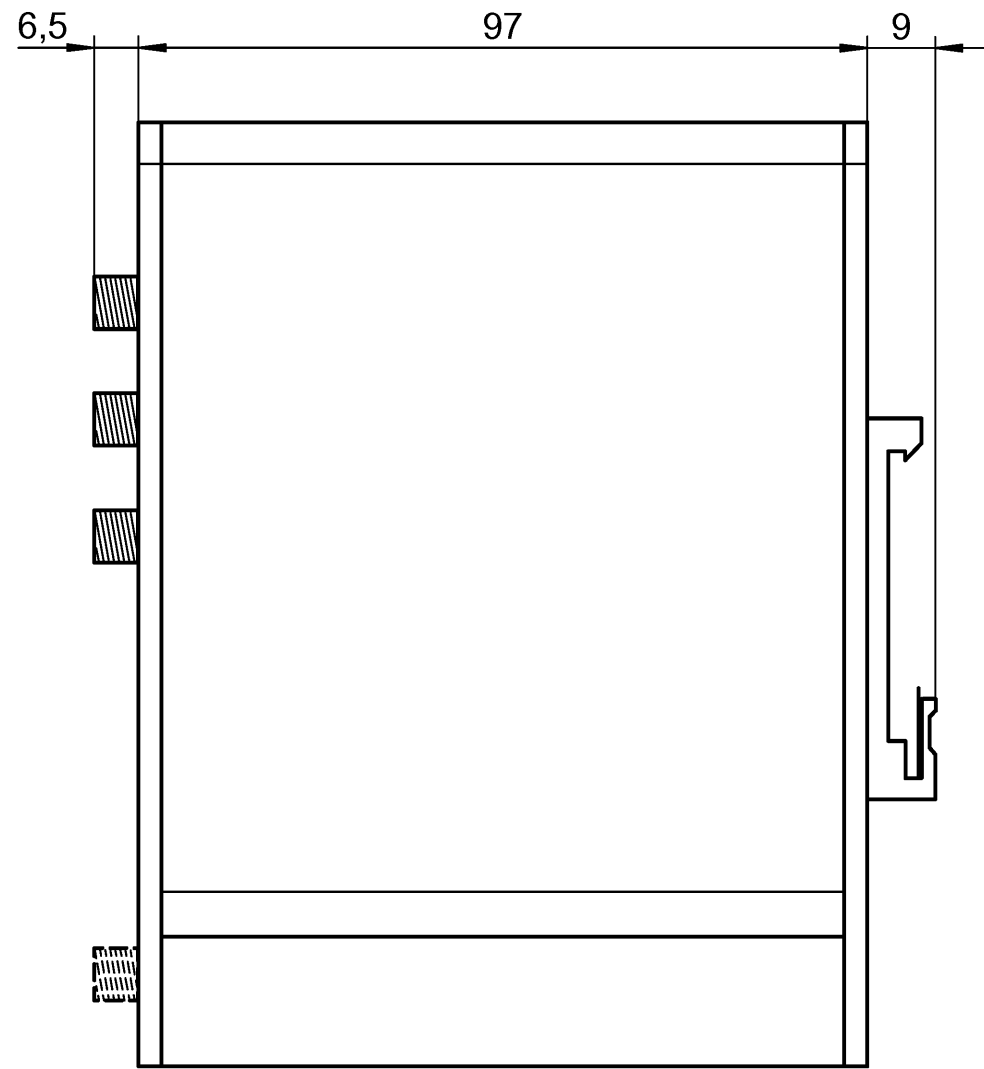
**product compliance**

ROHS conformity status	compliant
REACH-SVHC conformity status	compliant

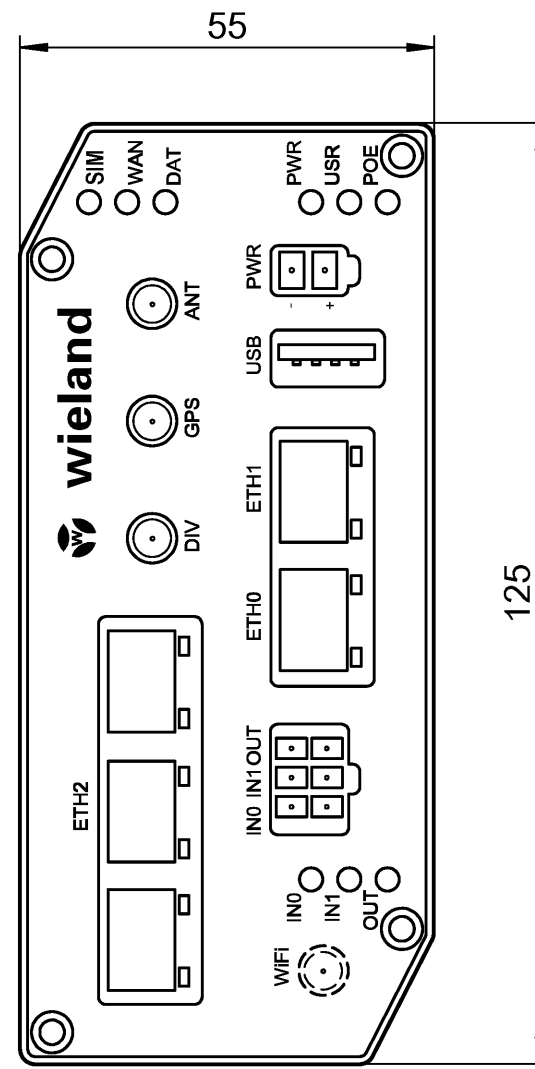
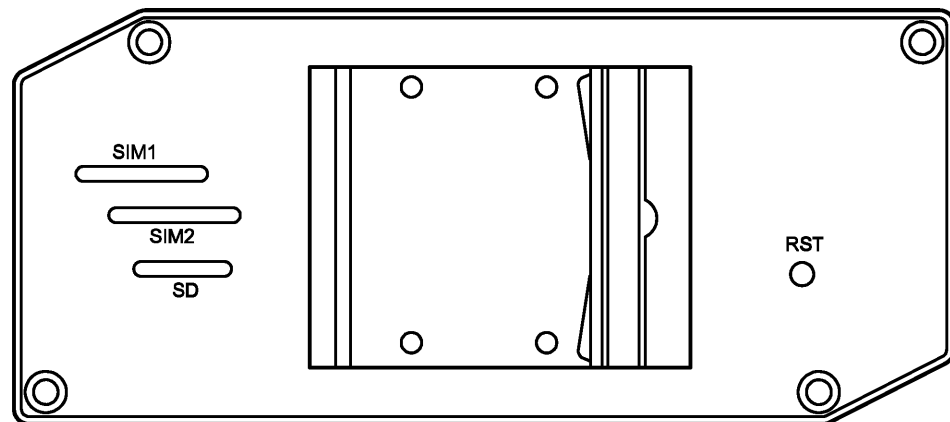
**Accessories**

Commercial Art.No.:	Article-type description:	Description:
F0.000.0031.8	adapter MPI-ETH Adapter ACCON-NetLink-PRO compact	compact communication adapter to connect PC with S7-200/300/400 over TCP/IP. Up to 32 concurrent MPI- and PROFIBUS connections possible, automatic detecting of TCP rate (10/100 Mbit/s), Power supply 24 V DC extern.
F0.000.0036.1	antenna WIENET ANTENNE 15018 MAGNETFUSS	wienet Magnetic base for LTE antenna
F0.000.0036.2	antenna WIENET ANTENNE 15018A ANTENNENSTAB	wienet LTE antenna, end without magnetic base
F0.000.0037.4	antenna WIENET ANTENNE 15854 WIFI MAGNET ANT.	"wienet Wireless magnetic base. WLAN / WIFI / Bluetooth / Zigbee Frequency range: WLAN / WiFi: 2.4 GHz Gain: 4.8 dBi Polarization: Vertical Resistance: 50 Ohm WIFI connector: SMA / M-RP Temperature range: -40 to 85 ° C Cable Length: 2500 mm Cable: RG 174 Dimensions: 223 x 29 mm"
F0.000.0037.5	antenna WIENET ANTENNE 15874V2 WIFI DACH ANT.	wienet omni-roof antenna - External antenna WLAN / WiFi Frequency range: 2.4GHz / 5 GHz (WLAN) Profit: max. 7dBi connector: 1x RP-SMA
F0.000.0035.1	antenna WIENET ANTENNE 15863V2 DACH ANT.	wienet omni-roof antenna - Outdoor antenna, Frequency range: GSM/GPRS/EDGE/UMTS/LTE/5G/LoRaWAN/NB-IoT, Profits: max. 7dBi, Connector: 1xSMA / M, Cable length: 5m, Dimensions: 82x48x48mm, incl. bracket (pole and wall mounting)
F0.000.0035.2	antenna WIENET ANTENNE 15869V2 FAHRZEUG ANT.	"wienet Car Antenna v2 - 5dBi external antenna Frequency ranges: GSM / GPRS / EDGE / UMTS / LTE Supports MiMo and Diversity Profit: max. 5dBi Connector: 2x SMA / M 2 x Cable: 0.3m Dimensions: height 82mm, diameter 176mm Color: Black Roof installation"
F0.000.0037.6	antenna WIENET ANTENNE 15862V2 PANEL ANT.	"wienet panel antenna v2 - 5dBi external antenna Frequency ranges: GSM / GPRS / EDGE / UMTS / LTE MiMo and Diversity Antenna (lightweight microwave effect) Profit: max. 5dBi Connector: 2x SMA / M Cable length: 5m Dimensions: approx 155x155x75mm incl. Bracket (mast, wall and table mounting)"
F0.000.0037.7	power supply unit 15094 12V NETZTEIL V3	wienet wall plug transformer for V3-Router 12 V DC
78.999.4000.0	patch-cables MOD ZBH RJ45 0,25 m	
78.999.4100.0	patch-cables MOD ZBH RJ45 0,5 m	
78.999.4200.0	patch-cables MOD ZBH RJ45 1,0 m	
78.999.4300.0	patch-cables MOD ZBH RJ45 2,0 m	
78.999.4400.0	patch-cables MOD ZBH RJ45 3,0 m	
78.999.4500.0	patch-cables MOD ZBH RJ45 5,0 m	
78.999.4600.0	patch-cables MOD ZBH RJ45 7,5 m	
78.999.4700.0	patch-cables MOD ZBH RJ45 10 m	

ZD.000.0020.5	VPN-license WIENET VPN V3 - S	"Single licence WIENET VPN V3 - Single license for another VPN client on the WIENET V3 VPN portal - Can be used on a WIENET VPN router, a WIENET IIoT gateway, a PC or a mobile device - Term of the certificate 20 years"
ZD.000.0021.5	VPN-license WIENET VPN V3 - 10	"10 licences WIENET VPN V3 - 10 licenses for another VPN clients on the WIENET V3 VPN portal - Can be used on a WIENET VPN router, a WIENET IIoT gateway, a PC or a mobile device - Term of the certificate 20 years"
ZD.000.0022.5	VPN-license WIENET VPN V3 - 25	"25 licences WIENET VPN V3 - 25 licenses for another VPN clients on the WIENET V3 VPN portal - Can be used on a WIENET VPN router, a WIENET IIoT gateway, a PC or a mobile device - Term of the certificate 20 years"
ZD.000.0023.5	VPN-license WIENET VPN V3 - 50	"50 licences WIENET VPN V3 - 50 licenses for another VPN clients on the WIENET V3 VPN portal - Can be used on a WIENET VPN router, a WIENET IIoT gateway, a PC or a mobile device - Term of the certificate 20 years"
ZD.000.0024.5	VPN-license WIENET VPN V3 -100	"100 licences WIENET VPN V3 - 100 licenses for another VPN clients on the WIENET V3 VPN portal - Can be used on a WIENET VPN router, a WIENET IIoT gateway, a PC or a mobile device - Term of the certificate 20 years"



Rückseite / backside



Teile-Nr. / Part-No.	Typ / Type
83.041.0709.1	WR V3 SL 5-Port
83.041.0769.1	WR V3 SL 5-Port WIFI

Weitere Angaben siehe KATALOG oder eKatalog. Additional data see CATALOG or eCatalog.		www.wieland-electric.com eshop.wieland-electric.com	
ja/yes <input checked="" type="checkbox"/> Stoffverbots- und Deklarationsliste nach WN 5020.010 ist einzuhalten. Conformity with Wieland document WN 5020.010 e (list of prohibited / declarable hazardous substances) to be declared!			
Freitoleranz nach General tolerance	CAD-Zeichnung, keine manuellen Änderungen CAD drawing, no manual modifications allowed	1. Verwendung: First Use:	Blatt: Sheet:
	Werkstoff / Material	2016 gezeichnet drawn 28.01. geprüft checked Normgepr. Stand. check	Name Kötzner
	Maßstab/Scale	Zeichnung Nr. / Drawing No. <b>T 83.041.0709.1 01K</b>	
	Datei / File: 044331__01K.DCD	Maße in mm / Dimensions are in mm	
		Ersatz für / Replacement for:	
		Type	Benennung / Title Teilespezifikation / Component specification <b>WIENET LTE</b>
Index	Datum / Blatt Date / Sheet	www.wieland www.wieland-electric.com	
Änderung / Revision			

Weitergabe sowie Vervielfältigung dieses Dokuments, Verwertung und Mitteilung  
 seines Inhalts sind verboten, soweit nicht ausdrücklich gestattet.  
 The reproduction, distribution and utilization of this document as well as the  
 communication of its contents to others without express authorization is prohibited.

1  
2  
3  
4  
5  
6  
7  
8  
9  
10  
11  
12  
13  
14  
15  
16  
17  
18  
19  
20  
M1  
M2  
M3  
L  
G  
i  
11.1  
12.1  
1.1