

Data sheet

Commercial Art.No.: 83.041.0869.1

LAN-to-LAN Router WIENET LAN WR V3 SL 5-PORT WIFI

wienet LTE v3 Router, metal housing, Interface: 5x Ethernet 10/100 Mbit/s, 1xUSB, 2xDI, 1xDO, 1xSD holder, WI-FI 802.11 b/g/n, Power supply: 10-60 V DC, Configuration: Web server, VPN: openVPN, IPsec, L2TP, PPTP, GRE, EasyVPN, Network: DHCP, NAT, PAT, VRRP, DynDNS client, VLAN, QoS, DMVPN, PPPoE Bridge, Dial-In, NTP client-server, IGMP, BGP, OSPF, RIP, SMTP, SMTPS, Backup routes, Control and Diagnostic: SNMP v1/v2c/v3, Statuses



Commercial Art.No.	83.041.0869.1
EAN	4049088328442
Order Unit	1

Technical data

Allgemein

mounting method	DIN rail (top hat rail)
degree of protection (IP)	IP30
housing material	aluminum
port 1	5x Ethernet
port 2	WIFI
ethernet	yes
Fast Ethernet	yes
Gigabit Ethernet	no
switchable profiles	4

supply circuit

voltage type	DC
operating voltage min.	10 V
operating voltage max.	60 V
power consumption max.	5.5 W

dimensions

depth	80.5 mm
width	113.5 mm
height	42 mm
weight	375 g

classification

ECLASS 11	
-----------	--

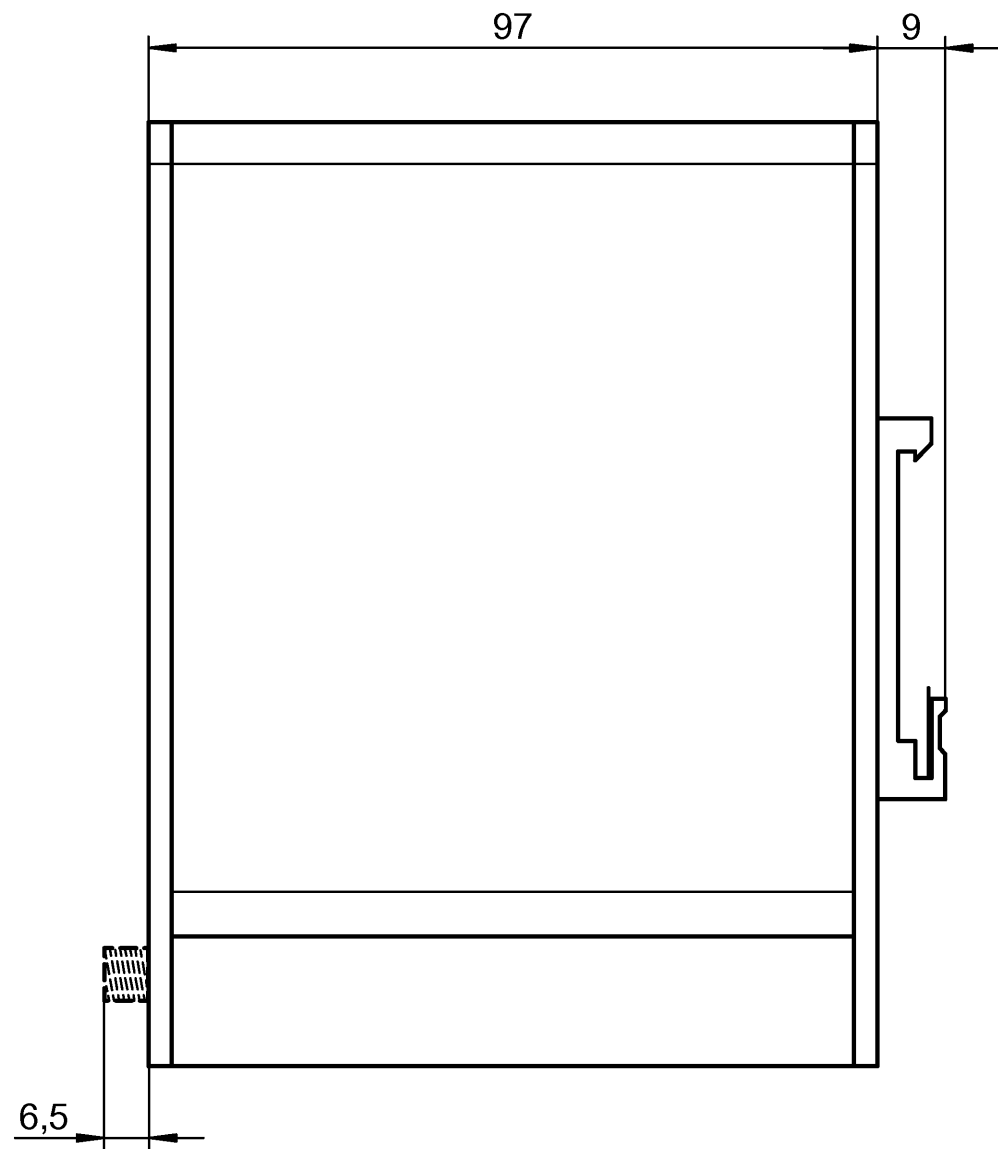
ECLASS 8.1	19170103
ETIM 9.0	EC001478
ETIM 8.0	EC001478
ETIM 7.0	EC001478
ETIM 6.0	EC001478
ETIM 5.0	EC001478

product compliance

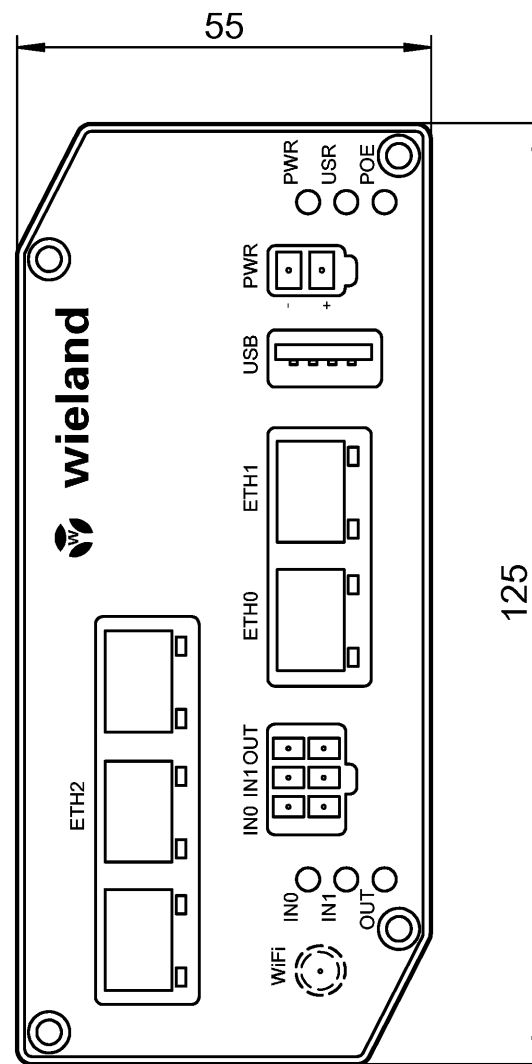
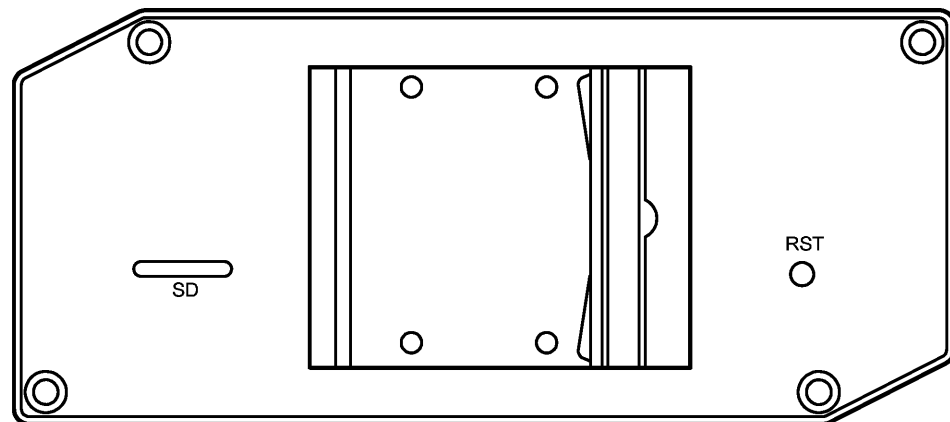
ROHS conformity status	compliant
REACH-SVHC conformity status	compliant

Accessories

Commercial Art.No.:	Article-type description:	Description:
F0.000.0031.8	adapter MPI-ETH Adapter ACCON-NetLink-PRO compact	compact communication adapter to connect PC with S7-200/300/400 over TCP/IP. Up to 32 concurrent MPI- and PROFIBUS connections possible, automatic detecting of TCP rate (10/100 Mbit/s), Power supply 24 V DC extern.
F0.000.0037.7	power supply unit 15094 12V NETZTEIL V3	wienet wall plug transformer for V3-Router 12 V DC
78.999.4000.0	patch-cables MOD ZBH RJ45 0,25 m	
78.999.4100.0	patch-cables MOD ZBH RJ45 0,5 m	
78.999.4200.0	patch-cables MOD ZBH RJ45 1,0 m	
78.999.4300.0	patch-cables MOD ZBH RJ45 2,0 m	
78.999.4400.0	patch-cables MOD ZBH RJ45 3,0 m	
78.999.4500.0	patch-cables MOD ZBH RJ45 5,0 m	
78.999.4600.0	patch-cables MOD ZBH RJ45 7,5 m	
78.999.4700.0	patch-cables MOD ZBH RJ45 10 m	
ZD.000.0020.5	VPN-license WIENET VPN V3 - S	"Single licence WIENET VPN V3 - Single license for another VPN client on the WIENET V3 VPN portal - Can be used on a WIENET VPN router, a WIENET IIoT gateway, a PC or a mobile device - Term of the certificate 20 years"
ZD.000.0021.5	VPN-license WIENET VPN V3 - 10	"10 licences WIENET VPN V3 - 10 licenses for another VPN clients on the WIENET V3 VPN portal - Can be used on a WIENET VPN router, a WIENET IIoT gateway, a PC or a mobile device - Term of the certificate 20 years"
ZD.000.0022.5	VPN-license WIENET VPN V3 - 25	"25 licences WIENET VPN V3 - 25 licenses for another VPN clients on the WIENET V3 VPN portal - Can be used on a WIENET VPN router, a WIENET IIoT gateway, a PC or a mobile device - Term of the certificate 20 years"
ZD.000.0023.5	VPN-license WIENET VPN V3 - 50	"50 licences WIENET VPN V3 - 50 licenses for another VPN clients on the WIENET V3 VPN portal - Can be used on a WIENET VPN router, a WIENET IIoT gateway, a PC or a mobile device - Term of the certificate 20 years"
ZD.000.0024.5	VPN-license WIENET VPN V3 - 100	"100 licences WIENET VPN V3 - 100 licenses for another VPN clients on the WIENET V3 VPN portal - Can be used on a WIENET VPN router, a WIENET IIoT gateway, a PC or a mobile device - Term of the certificate 20 years"



Rückseite / backside



Teile-Nr. / Part-No.	Typ / Type
83.041.0809.1	WR V3 SL 5-Port
83.041.0869.1	WR V3 SL 5-Port WIFI

Weitere Angaben siehe KATALOG oder eKatalog. Additional data see CATALOG or eCatalog.		www.wieland-electric.com eshop.wieland-electric.com	
ja/yes <input checked="" type="checkbox"/> Stoffverbots- und Deklarationsliste nach WN 5020.010 ist einzuhalten. Conformity with Wieland document WN 5020.010 e (list of prohibited / declarable hazardous substances) to be declared!			
Freitoleranz nach General tolerance	CAD-Zeichnung, keine manuellen Änderungen CAD drawing, no manual modifications allowed	1. Verwendung: First Use:	Blatt: Sheet:
	Werkstoff / Material	2016 gezeichnet drawn	Tag/Date 28.01.
	Maßstab/Scale	geprüft checked	Name Koetzner
		Normgepr. Stand. check	Zeichnung Nr. / Drawing No. T 83.041.0809.1 01K
	Datei / File: 044351_A01K.DCD	Ersatz für / Replacement for:	
		Type	Benennung / Title Teilespezifikation / Component specification
			WIENET LAN
26.03.20 Datum / Blatt Date / Sheet	wieland www.wieland-electric.com		
Änderung / Revision			