

## Data sheet

Commercial Art.No.: 93.422.0353.1

device connector BST14I2F S1 R S GN01

gesis® NV device connector, snap-in, housing material thickness: 0.5 - 1.5 mm, number of poles 2, model male, connection type spring clamp connection, rated voltage 50 V, rated current 3 A, color of coding/ contact carrier green



Commercial Art.No.	93.422.0353.1
EAN	4015573442566
Order Unit	1

certificates / approvals



## Technical data

### general

rated current	3 A
rated voltage	50 V
pollution degree	2
mechanical coding	yes
rated impulse voltage	0.8 kV
lockable	self-locking (unlocking by hand)
color of coding/ contact carrier	green
marking of poles	1+, 2-
color of separate adapter (if present)	black

### connection data

connection cross section solid mm <sup>2</sup> max.	0.75 mm <sup>2</sup>
connection cross section solid mm <sup>2</sup> min.	0.25 mm <sup>2</sup>
terminations per pole	1
wire strip length	9 mm

### model

model	male
connection type	spring clamp connection
angle of plug	straight
degree of protection (IP)	IP20
thickness of housings (electrical device)	0.5 mm

thickness of housings (electrical device)	1.5 mm
built-in component	snap-in

**material**

housing material	polyamide
halogen free	yes
contact material	CuBe
fire load	0.03 kWh/St
insulation components continuous temperature	100 °C
surface finish	gilt

**dimensions**

length	29.9 mm
width	19.6 mm
height	19.6 mm

**classification**

ECLASS 11	
ECLASS 8.1	27440602
ETIM 9.0	EC002566
ETIM 8.0	EC002566
ETIM 7.0	EC002566
ETIM 6.0	EC002566
ETIM 5.0	EC002566
ETIM 4.0	EC002566

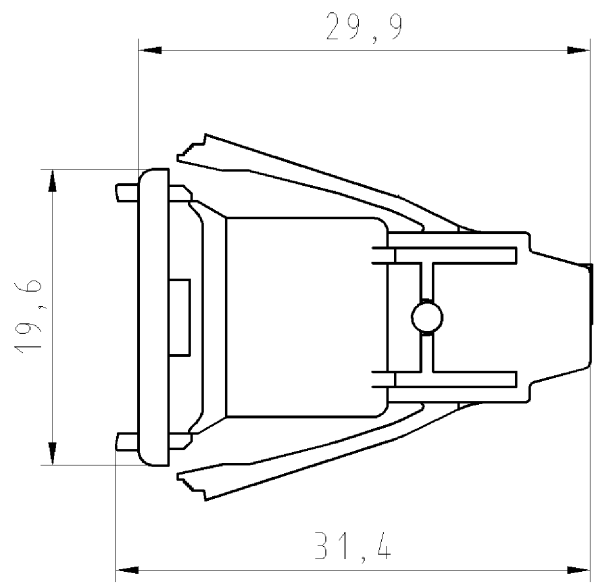
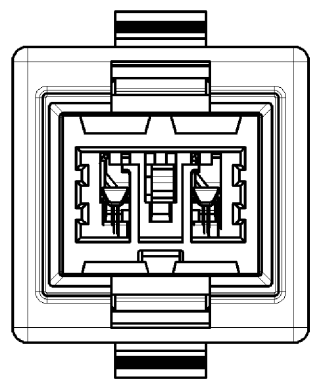
**product compliance**

ROHS conformity status	compliant
REACH-SVHC conformity status	compliant

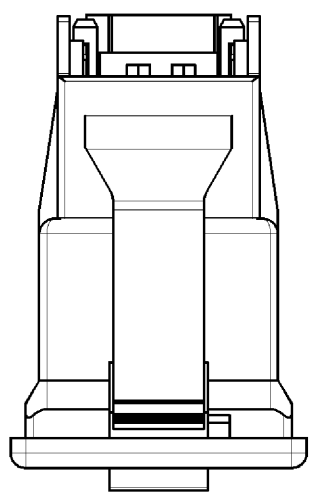
**Fits with**

Commercial Art.No.:	Article-type description:	Description:
93.421.0553.1	connector BST14I2F B1 ZR1 S MGN01	gegis® NV connector, number of poles 2, female, connection type spring clamp connection, rated voltage 50 V, rated current 3 A, cable diameter 5.5 - 6.5 mm, color of coding/ contact carrier green

These dimensions will be especially checked at delivery  
 Only inspection dimensions  
 With /E marked dimensions are only valid for internal use



Diese Maße werden bei Abnahme besonders geprüft  
 Ausschließlich Prüfmaße  
 Mit /E gekennzeichnete Maße sind nur für interne Zwecke gültig

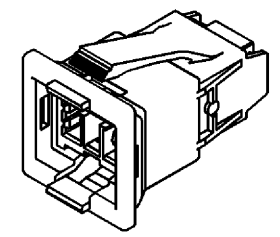
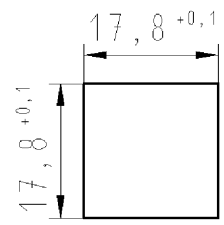


**Gehäuseausschnitt**

Blechdicke 0,5 - 1,5 mm

**Section of housing**

Material thickness 0,5 - 1,5 mm



M1:1

Weitere Daten siehe Katalog  
 further data see catalog

Weitergabe sowie Vervielfältigung dieses Dokuments, Verwertung und Mitteilung seines Inhalts sind verboten, soweit nicht ausdrücklich gestattet. Die Reproduktion, Distribution und Utilization of this document as well as the communication of its contents to others without express authorization is prohibited.

Teile-Nr. part-no.	Typ type	Farbe colour
93.422.0353.0	BST1412F S1 R W GN01	weiß /white
93.422.0353.1	BST1412F S1 R S GN01	schwarz/black

Tolerierung nach DIN 7167/Tolerance system acc. to DIN 7167. (This DIN-standard describes the envelope principle. According to the envelope principle the deviations of form and parallelism are limited by the size tolerances). ja/yes  Stoffverbots- und Deklarationsliste nach UU-TQM-05/03 ist einzuhalten. Conformity with Wieland document UU-TQM-05/03 (list of prohibited / declarable hazardous substances) to be declared!

Freitoleranz nach General tolerance CAD - Zeichnung, keine manuellen Änderungen CAD - drawing, no manual modifications allowed 1.Verwendung: - First Use: Blatt: 1 von 1 Sheet: 1 of 1

Werkstoff/Material		2006 Tag/Date	Name	Zeichnung Nr./Drawing No.		Index
Maßstab/Scale <b>2:1</b>		gezeichnet drawn	14.03.	Schmitt J.	<b>93.422.0353.1 01K</b>	
		geprüft checked	-	-		
		Normgepr. Stand. check	-	-		
Vol. mm <sup>3</sup> Off./Surf. mm <sup>2</sup>		Ersatz für/Replacement for: -		Maße in mm/Dimensions are in mm		
<b>wieland</b> Elektrische Verbindungen		Type	Benennung/Tittle			
		<b>STECKERTEIL</b> Federkraftanschluß, Snap in male connector, snap in, spring loaded				
Index	Datum / Blatt Date / Sheet					
Änderung/Revision						