

Data sheet

Commercial Art.No.: R1.100.0313.0

magnet switch set SMA 0313

safety switch and magnet, manipulation safe, round-shaped design, dimensions diameter x length: M30x32mm, normally open / normally closed contact, protection category: IP67, cable length: 3m



Commercial Art.No.	R1.100.0313.0
EAN	4049088014581
Order Unit	1

certificates / approvals



Technical data

general

suitable for safety functions	yes
housing material	plastic
number of protected contact energized outputs	2
type of electric connection	cable
cable length	3 m
construction type housing	cuboid
protected switch distance OFF	17 mm
cross-/short circuit identification possible	yes
degree of protection (IP)	IP67
type of actuation	magnet

safety parameters

category (ISO 13849-1)	4
PL (ISO 13849-1)	level e
SIL _{Cl} (IEC 62061)	3
HFT	1
T _M	20 a

output circuit

max. output current at protected output	200 mA
min. output current	5 mA
min. rated supply voltage at DC	5 V
max. rated supply voltage at DC	48 V

other

voltage type	DC
number of protected semiconductor outputs	0

type of switch output	other
-----------------------	-------

dimensions

diameter sensor	30 mm
length of sensor	32 mm

classification

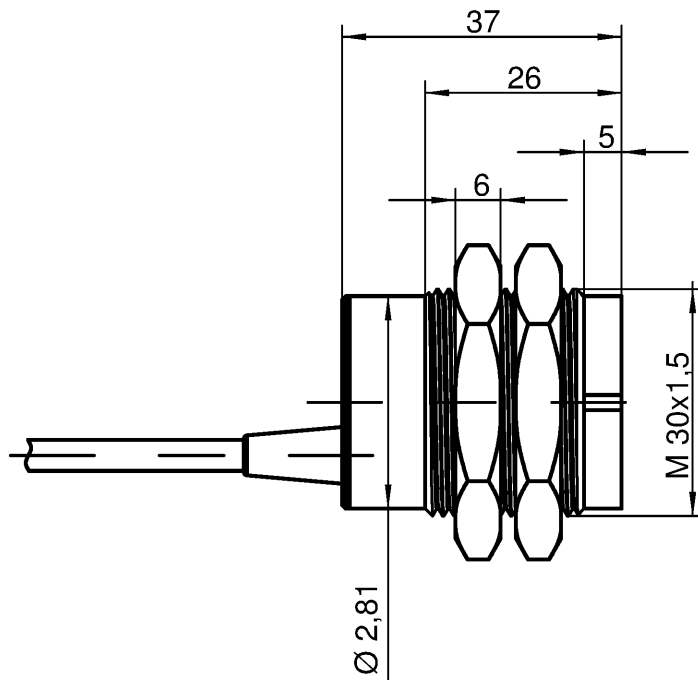
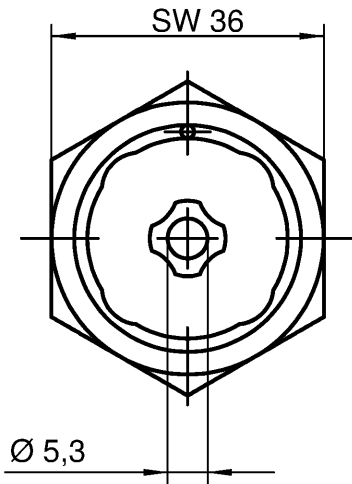
ECLASS 11	
ECLASS 8.1	27270105
ETIM 9.0	EC002544
ETIM 8.0	EC002544
ETIM 7.0	EC002544
ETIM 6.0	EC002544
ETIM 5.0	EC002544
ETIM 4.0	EC002544

product compliance

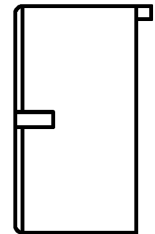
ROHS conformity status	compliant
REACH-SVHC conformity status	compliant

Accessories

Commercial Art.No.:	Article-type description:	Description:
R1.100.5004.0	connection cable M8 SMA 5004	M8 cable female, 4-pole, end cut off, cable length: 5m
R1.100.5005.0	connection cable M8 SMA 5005	M8 cable female, 4-pole, end cut off, cable length: 10m



Magnet /
magnet



Weitergabe sowie Vervielfältigung dieses Dokuments, Verwertung und Mitteilung seines Inhalts sind verboten, soweit nicht ausdrücklich gestattet. Die Reproduktion, Distribution und Utilization of this document as well as the communication of its contents to others without express authorization is prohibited.

Qu - PEE 12/92

Teile-Nr. / Part-No.
R1.100.0313.0
R1.100.0320.0
R1.100.0323.0
R1.100.0323.9
R1.100.0324.0

Weitere Angaben siehe KATALOG oder eKatalog.
Additional data see CATALOG or eCatalog.

www.wieland-electric.com
eshop.wieland-electric.com

ja/yes Stoffverbots- und Deklarationsliste nach WN 5020.010 ist einzuhalten.
Conformity with Wieland document WN 5020.010 e (list of prohibited / declarable hazardous substances) to be declared!

Freitoleranz nach General tolerance		CAD-Zeichnung, keine manuellen Änderungen CAD-Drawing, no manual modifications allowed			1. Verwendung: First Use:		Blatt: Sheet:	
		Werkstoff/ Material		2015	Tag/ Date	Name		
		Maßstab/Scale		gezeichnet drawn	26.05.	Kötzner		
				geprüft checked				
				Normgepr. Stand. check				
Datei/ File: 028701_A01K.DCD				Ersatz für/ Replacement for:				
Zeichnung Nr./ Drawing No. T R1.100.0313.0 01K		Maße in mm/Dimensions are in mm						
@ 11.04.16 Datum/ Blatt Date/ Sheet		 wieland www.wieland-electric.com		Type		Benennung/ Title		
Änderung/ Revision				Teilespezifikation / Component specification SMA Magnetschalter rund / Machine safety switch, round				