

## Data sheet

Commercial Art.No.: R1.100.0320.0

magnet switch set SMA 0320

safety switch and magnet, manipulation safe, round-shaped design, dimensions diameter x length: M30x32mm, normally open / normally open contact, protection category: IP67, M8-pigtail connection



Commercial Art.No.	R1.100.0320.0
EAN	4049088168710
Order Unit	1

certificates / approvals



## Technical data

### general

suitable for safety functions	yes
housing material	plastic
number of protected contact energized outputs	2
type of electric connection	connector M8
construction type housing	cuboid
cross-/short circuit identification possible	yes
degree of protection (IP)	IP67
type of actuation	magnet

### output circuit

max. output current at protected output	200 mA
min. output current	5 mA
min. rated supply voltage at DC	5 V
max. rated supply voltage at DC	48 V

### other

voltage type	DC
number of protected semiconductor outputs	0
type of switch output	other

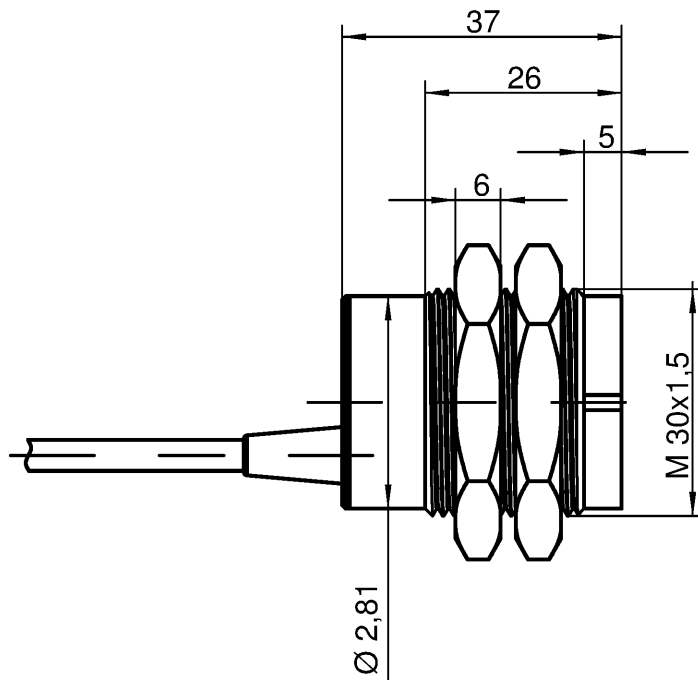
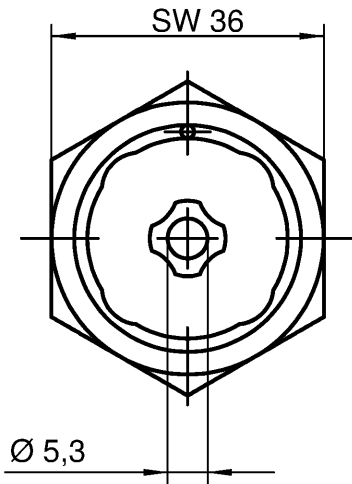
### classification

ECLASS 11	
ECLASS 8.1	27270105
ETIM 9.0	EC002544
ETIM 8.0	EC002544
ETIM 7.0	EC002544
ETIM 6.0	EC002544
ETIM 5.0	EC002544

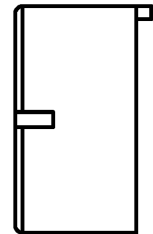
ETIM 4.0	EC002544
----------	----------

**product compliance**

ROHS conformity status	compliant
REACH-SVHC conformity status	compliant



Magnet /  
magnet



Weitergabe sowie Vervielfältigung dieses Dokuments, Verwertung und Mitteilung seines Inhalts sind verboten, soweit nicht ausdrücklich gestattet. Die Reproduktion, Distribution und Utilization of this document as well as the communication of its contents to others without express authorization is prohibited.



Qu - PEE 12/92

Teile-Nr. / Part-No.
R1.100.0313.0
R1.100.0320.0
R1.100.0323.0
R1.100.0323.9
R1.100.0324.0

Weitere Angaben siehe KATALOG oder eKatalog.  
Additional data see CATALOG or eCatalog.

[www.wieland-electric.com](http://www.wieland-electric.com)  
[eshop.wieland-electric.com](http://eshop.wieland-electric.com)

ja/yes  Stoffverbots- und Deklarationsliste nach WN 5020.010 ist einzuhalten.  
Conformity with Wieland document WN 5020.010 e (list of prohibited / declarable hazardous substances) to be declared!

Freitoleranz nach General tolerance		CAD-Zeichnung, keine manuellen Änderungen CAD-Drawing, no manual modifications allowed			1. Verwendung: First Use:		Blatt: Sheet:		
 Maßstab/Scale		Werkstoff/ Material		2015	Tag/ Date	Name		Zeichnung Nr./ Drawing No.	
				gezeichnet drawn	26.05.	Kötzner		T R1.100.0313.0 01K	
				geprüft checked					
				Normgepr. Stand. check				Maße in mm/Dimensions are in mm	
		Datei/ File: 028701_A01K.DCD			Ersatz für/ Replacement for:				
@ 11.04.16 Datum/ Blatt Date/ Sheet		 <b>wieland</b> <a href="http://www.wieland-electric.com">www.wieland-electric.com</a>		Type		Benennung/ Title			
Änderung/ Revision						Teilespezifikation / Component specification SMA Magnetschalter rund / Machine safety switch, round			