

Data sheet

Commercial Art.No.: R1.100.3110.0

magnet SMA 3110

Magnet, Block (NC/NO)



| | |
|--------------------|---------------|
| Commercial Art.No. | R1.100.3110.0 |
| EAN | 4049088088742 |
| Order Unit | 5 |

certificates / approvals



Technical data

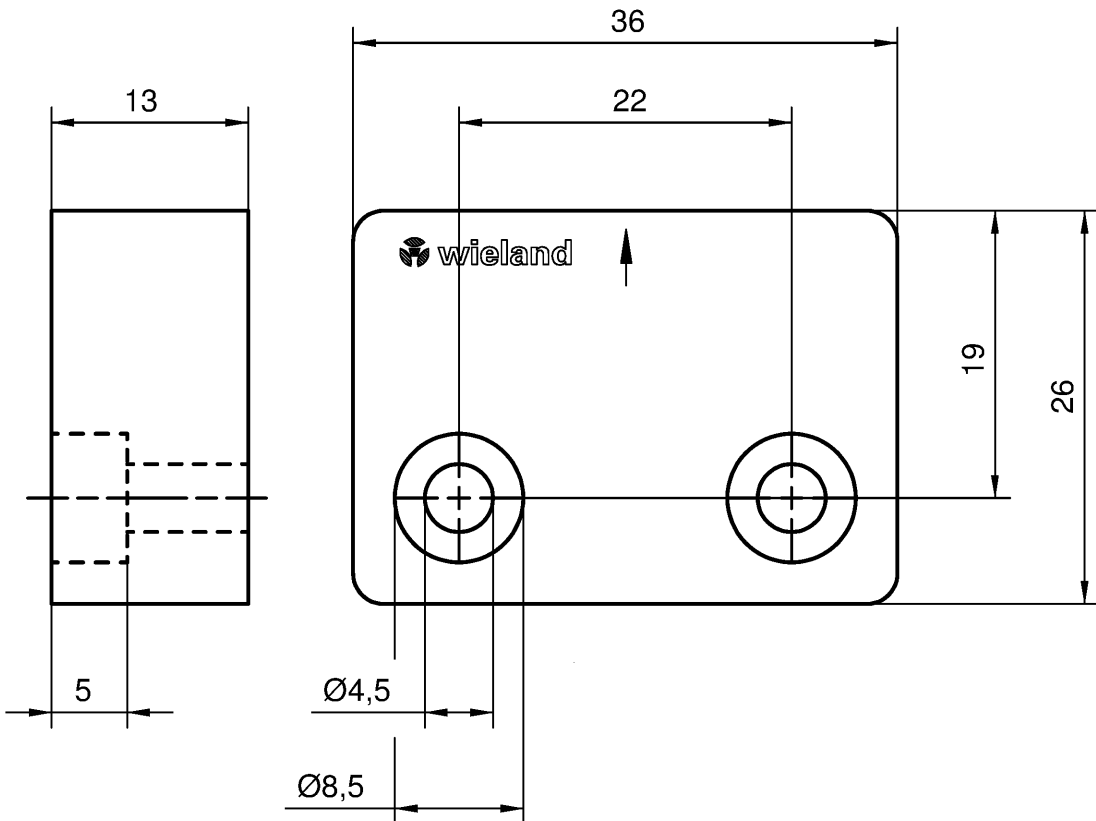
classification

| | |
|------------|----------|
| ECLASS 11 | |
| ECLASS 8.1 | 27270105 |
| ETIM 9.0 | EC002544 |
| ETIM 8.0 | EC002544 |
| ETIM 7.0 | EC002544 |
| ETIM 6.0 | EC002544 |
| ETIM 5.0 | EC002544 |
| ETIM 3.0 | EC001855 |

product compliance

| | |
|------------------------------|-----------|
| ROHS conformity status | compliant |
| REACH-SVHC conformity status | compliant |

Weitergabe sowie Vervielfältigung dieses Dokuments, Verwertung und Mitteilung
 seines Inhalts sind verboten, soweit nicht ausdrücklich gestattet.
 The reproduction, distribution and utilization of this document as well as the
 communication of its contents to others without express authorization is prohibited.



Qu - PEE 12/92

Weitere Angaben siehe KATALOG oder eKatalog.
 Additional data see CATALOG or eCatalog.

www.wieland-electric.com
eshop.wieland-electric.com

| |
|----------------------|
| Teile Nr. / Part No. |
| R1.100.3110.0 |
| R1.100.3120.0 |

ja/yes Stoffverbots- und Deklarationsliste nach WN 5020.010 ist einzuhalten.
 Conformity with Wieland document WN 5020.010 e (list of prohibited / declarable hazardous substances) to be declared!

| | | | | | | | | | |
|----------------------------------------|--|-------------------------------------------------------------------------------------------|--|---------------------------|------------------------------|---------------------------------|------------------|-------------------------------------------------|--|
| Freitoleranz nach General tolerance | | CAD-Zeichnung, keine manuellen Änderungen CAD-Drawing, no manual modifications allowed | | | 1. Verwendung: First Use: | | Blatt: Sheet: | | |
| | | Werkstoff/ Material | | 2014 | Tag/ Date | Name | | Zeichnung Nr./ Drawing No. | |
| | | Maßstab/Scale | | gezeichnet drawn | 29.10. | Kötzner | | T R1.100.3110.0 01K | |
| Datei/ File: 042111__01K.DCD | | Ersatz für/ Replacement for: | | Normgepr. Stand. check | | Maße in mm/Dimensions are in mm | | | |
| Index | | Datum/ Blatt Date/ Sheet | | Type | | Benennung/ Title | | Teilespezifikation / Component specification | |
| Änderung/ Revision | | www.wieland-electric.com | | | | | | Magnet quaderförmig / Magnet prismatic | |

A
1
2
3
4
5
6
7
8
9
10
11
12
13
14
15
16
17
18
19
20
M1
M2
M3
L
G
i
11.1
12.1
1.1