

Data sheet

Commercial Art.No.: R1.190.1640.0

SPS-analog input module SP-SAC4-C

samosPRO analog module, 4 safe inputs 0-20mA, Pluggable push-in-terminals



Commercial Art.No.	R1.190.1640.0
EAN	4049088464393
Order Unit	1

certificates / approvals



Technical data

general

SIL according to IEC 61508	3
in-/outputs configurable	yes

connection data

type of electric connection	spring clamp connection
-----------------------------	-------------------------

safety parameters

category (ISO 13849-1)	4
PL (ISO 13849-1)	level e
SIL _{CL} (IEC 62061)	3
HFT	1
DC	94.1 %
MTTF _d	309 a
T _M	20 a

other

suitable for safety functions	yes
type of supply voltage	DC
type of voltage (input voltage)	

control circuit

number of inputs	4
------------------	---

supply circuit

Nennspannung DC	24 V
min. supply voltage at DC	16.8 V
max. supply voltage at DC	30 V

dimensions

depth	121 mm
width	22.5 mm
height	96.5 mm

classification

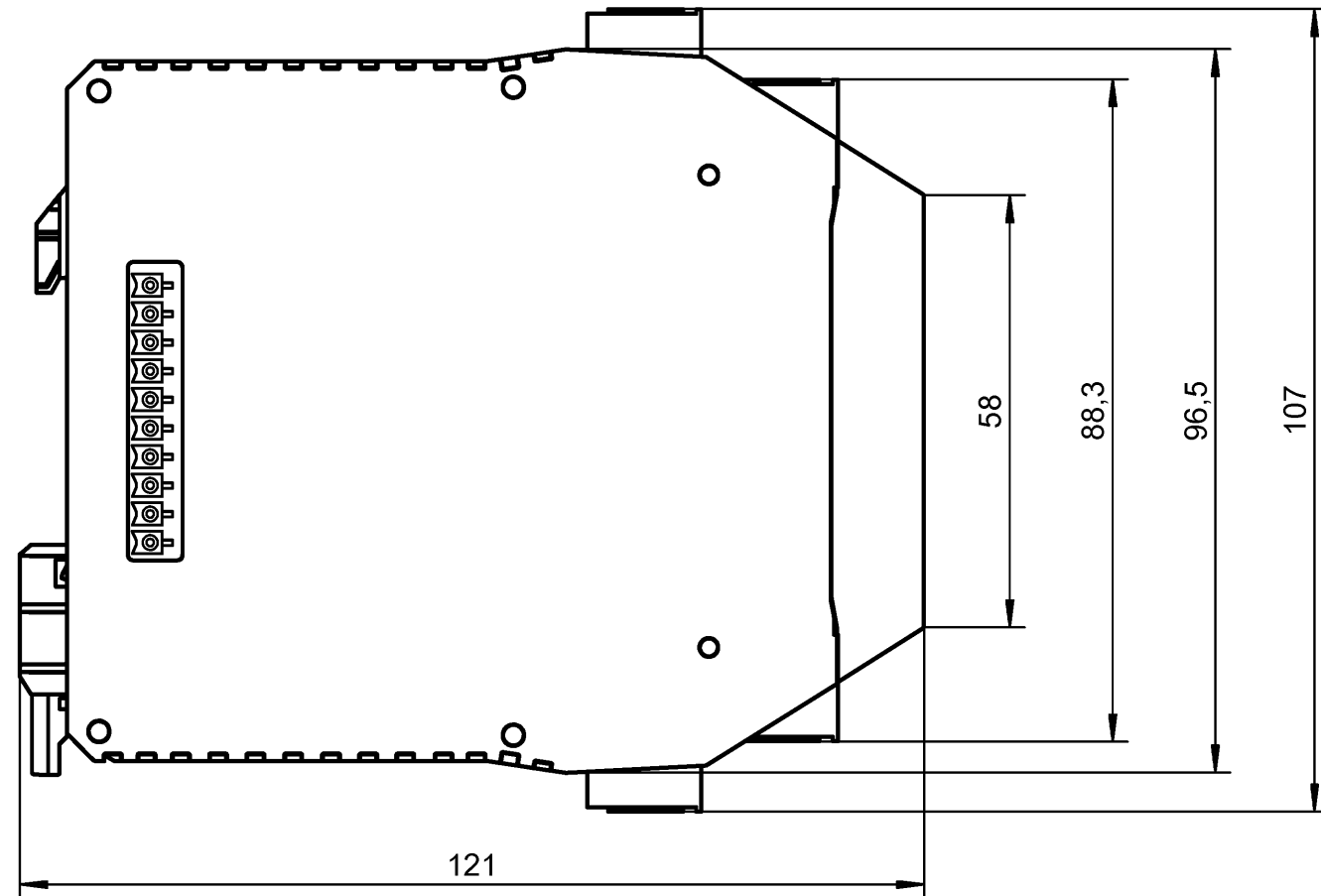
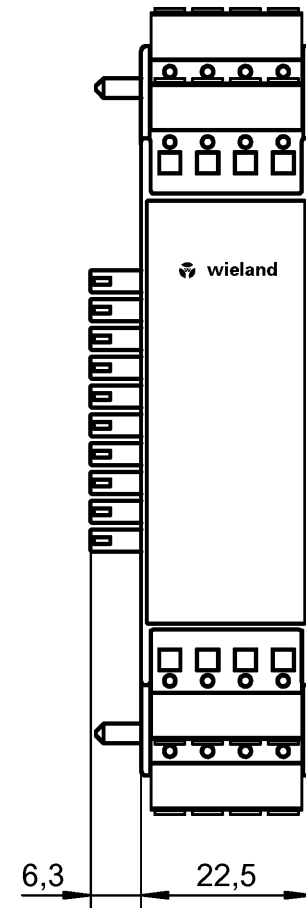
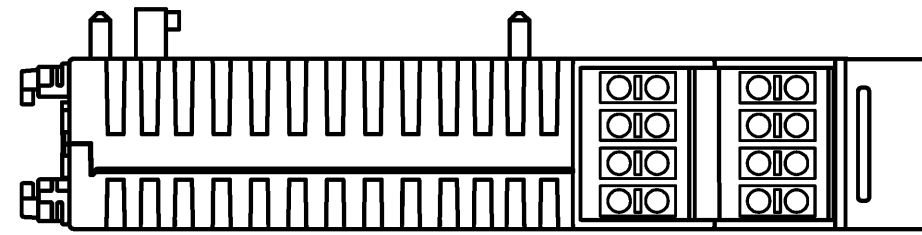
ECLASS 11	
ECLASS 8.1	27242202
ETIM 9.0	EC001421
ETIM 8.0	
ETIM 7.0	
ETIM 6.0	
ETIM 5.0	EC001421
ETIM 4.0	EC001421

product compliance

ROHS conformity status	compliant/exempted
ROHS exceptions	III-6(c); III-7(c)I
REACH-SVHC conformity status	Duty-To-Declare
REACH-SVHC substances	1,6,7,8,9,14,15,16,17,17,18,18-Dodecachloropentacyclo[12.2.1.16,9.02,13.05,10]octadeca-7,15-diene; Lead
REACH-SVHC CAS numbers	13560-89-9; 7439-92-1

Accessories

Commercial Art.No.:	Article-type description:	Description:
99.208.9999.9	PCB connector SAFETY SCHRAUBKL.SET	
99.209.9999.9	safety plug set push in SAFETY PUSH IN SET	
R1.190.1010.0	samosPRO SP-CABLE-USB1	samosPRO-USB cable for SP-COP, 1,8 m
56.202.8055.0	initiator terminal WTP 1,5 I/O-3	Initiator terminal with push in connection for mounting on TS 35,nominal cross section: 1,5 mm ² ,Width: 3,5 mm,Color: grey



Teile-Nr. / Part-No.	Typ / Type
R1.190.1620.0	SP-SAR4-C
R1.190.1640.0	SP-SAC4-C
R1.190.1660.0	SP-SACR22-C

Weitere Angaben siehe KATALOG oder eKatalog. Additional data see CATALOG or eCatalog.		www.wieland-electric.com eshop.wieland-electric.com	
ja/yes <input checked="" type="checkbox"/> Stoffverbots- und Deklarationsliste nach WN 5020.010 ist einzuhalten. Conformity with Wieland document WN 5020.010 e (list of prohibited / declarable hazardous substances) to be declared!			
Freitoleranz nach General tolerance	CAD-Zeichnung, keine manuellen Änderungen CAD drawing, no manual modifications allowed	1. Verwendung: First Use:	Blatt: Sheet:
	Werkstoff / Material	2019 gezeichnet drawn 28.03. geprüft checked Normgepr. Stand. check	Name Koetzner
	Maßstab/Scale	Zeichnung Nr. / Drawing No. T R1.190.1620.0 /01K	
	Maßstab/Scale	Maße in mm / Dimensions are in mm	
	Index	Datei / File: 046371_/R1.190.1620.0_01K.DCD	
	Datum / Blatt Date / Sheet	Ersatz für / Replacement for:	Type
	Änderung / Revision	Benennung / Title Teilespezifikation / Component specification Federkraftsteckblockklemme samosPRO Analogmodul	
 www.wieland-electric.com			

1
2
3
4
5
6
7
8
9
10
11
12
13
14
15
16
17
18
19
20
M1
M2
M3
L
G
i
11.1
12.1
1.1