

## Data sheet

Commercial Art.No.: R1.200.1102.0

emergency stop complete SNH 1102

E-Stop button (SNH 0100, 1 NC (contact-break-detection))



Commercial Art.No.	R1.200.1102.0
EAN	4049088044373
Order Unit	1

certificates / approvals



## Technical data

### technical data

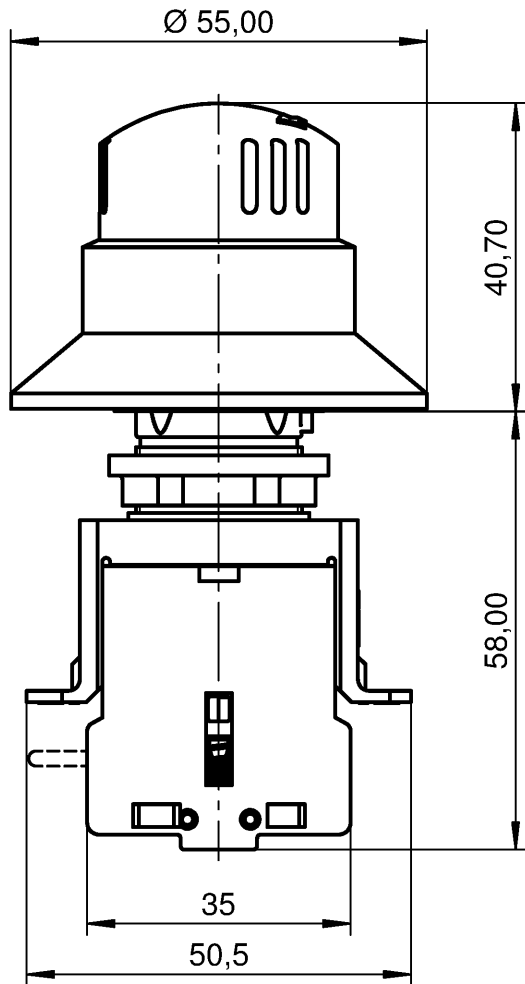
hole diameter	22.3 mm
rated insulation voltage Ui	600 V
unlocking method	turn unlatching mechanism
housing material	plastic
surface finish	AgNi
with lighting	no
utility category	3 A (AC-15 at 250V AC) / 10 A (DC-13 at 24V DC)
max. conductor cross section	2.5 mm <sup>2</sup>
degree of protection (IP)	IP65
connection type auxiliary circuit	screw connection
connection type conductor	screw connection
number of contacts as normally closed contact	1
number of contacts as normally open contact	0
min. switching voltage	5 V
min. ambient temperature	-30 °C
max. ambient temperature	70 °C
switching principle contact elements	slow action switch
min. switching current	1 mA
B10d-value	250000
illumination connection	no
fall-off protection	yes

### dimensions

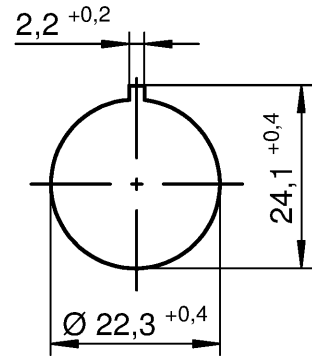
build in depth	62 mm
----------------	-------

### classification

ECLASS 11	
ECLASS 8.1	27371244
ETIM 9.0	EC002034
ETIM 8.0	EC002034
ETIM 7.0	EC002034
ETIM 6.0	EC002034
ETIM 5.0	EC002034
ETIM 4.0	EC002034
ETIM 3.0	EC002034



Bohrung für Einbau /  
Cut-out dimensions



Qu - PEE 12/92

Teile-Nr. / Part-No.	Typ / Type	Kontaktblock / contact block		Betätiger / actuator
R1.200.1101.0	SNH1101	R1.200.0001.0	+	R1.200.0100.0
R1.200.1102.0	SNH1102	R1.200.0002.0	+	R1.200.0100.0
R1.200.1111.0	SNH1111	R1.200.0011.0	+	R1.200.0100.0
R1.200.1112.0	SNH1112	R1.200.0012.0	+	R1.200.0100.0
R1.200.1121.0	SNH1121	R1.200.0021.0	+	R1.200.0100.0
R1.200.1122.0	SNH1122	R1.200.0022.0	+	R1.200.0100.0
R1.200.1131.0	SNH1131	R1.200.0031.0	+	R1.200.0100.0
R1.200.1132.0	SNH1132	R1.200.0032.0	+	R1.200.0100.0
R1.200.1143.0	SNH1143	R1.200.0043.0	+	R1.200.0100.0

Weitere Angaben siehe KATALOG oder eKatalog.  
Additional data see CATALOG or eCatalog.

[www.wieland-electric.com](http://www.wieland-electric.com)  
[eshop.wieland-electric.com](http://eshop.wieland-electric.com)

ja/yes  Stoffverbots- und Deklarationsliste nach WN 5020.010 ist einzuhalten.

Conformity with Wieland document WN 5020.010 e (list of prohibited / declarable hazardous substances) to be declared!

Freitoleranz nach  
General tolerance

CAD-Zeichnung, keine manuellen Änderungen  
CAD-Drawing, no manual modifications allowed

1. Verwendung:  
First Use:

Blatt:  
Sheet:



Werkstoff/ Material

2015

Tag/ Date

Name

Zeichnung Nr./ Drawing No.

Maßstab/Scale

gezeichnet  
drawn

23.03.

Kötzner

**T R1.200.1101.0 01K**

geprüft  
checked

Normgepr.  
Stand. check

Maße in mm/Dimensions are in mm

Datei/ File: 029821\_\_01K.DCD

Ersatz für/ Replacement for:



**wieland**

[www.wieland-electric.com](http://www.wieland-electric.com)

Type

Benennung/ Title

Teilespezifikation /  
Component specification

Set Kontaktblock + Betätiger  
set contact block + actuator

Index Datum/ Blatt  
Date/ Sheet

Änderung/ Revision