

## Data sheet

Commercial Art.No.: R1.320.3010.0

safety switch SMS 3010

Safety switch with separated actuator, 10 N, 1 NC contact



Commercial Art.No.	R1.320.3010.0
EAN	4049088135446
Order Unit	1

certificates / approvals



## Technical data

### mechanical data

drawing force	30 N
min. ambient temperature	-30 °C
max. ambient temperature	80 °C
mechanical life	10 <sup>6</sup> switching cycles
connection type	screw connection
max. conductor cross section (flex., stranded)	0.5 mm <sup>2</sup>
max. conductor cross section (flex., stranded)	1.5 mm <sup>2</sup>
weight	0.15 kg
degree of protection (IP)	IP65

### classification

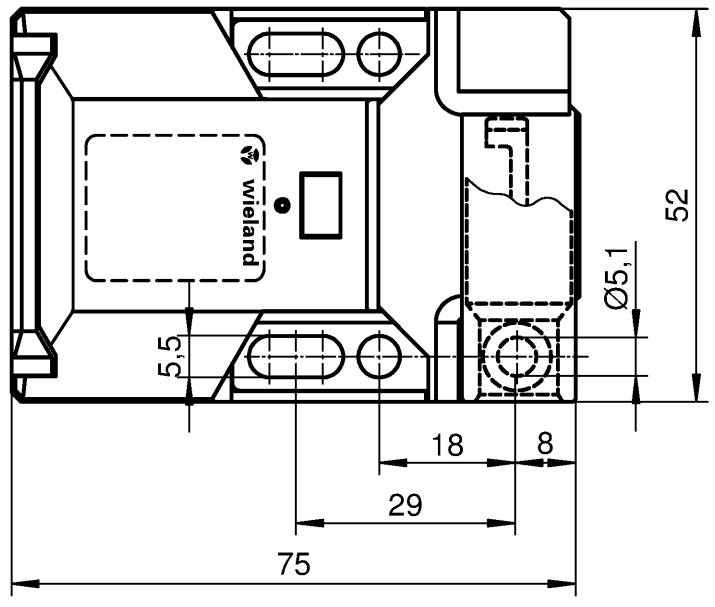
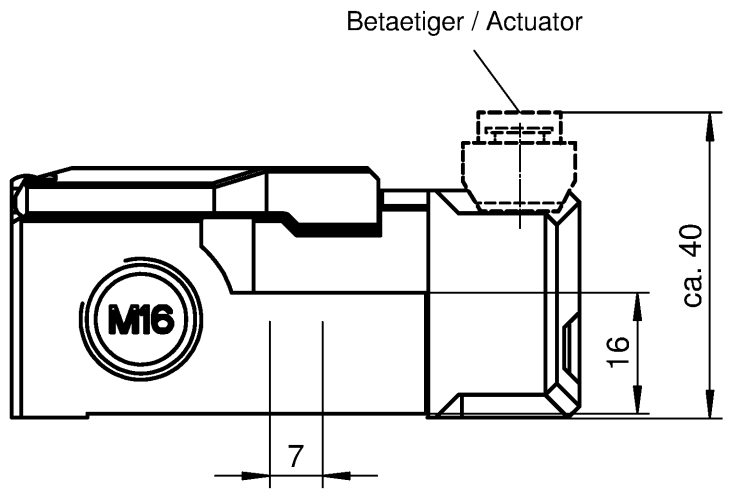
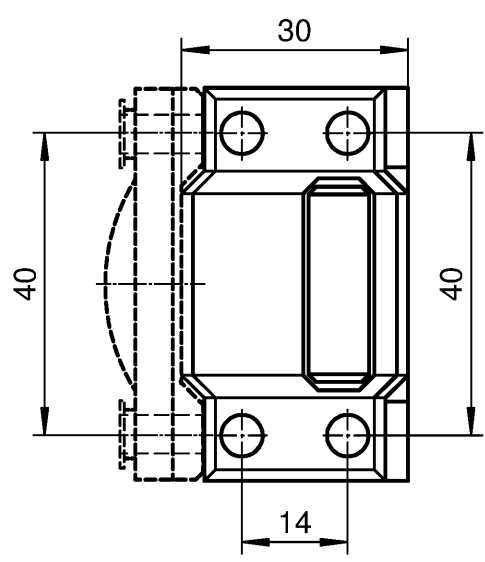
ECLASS 11	
ECLASS 8.1	27270610
ETIM 9.0	EC002592
ETIM 8.0	EC002592
ETIM 7.0	EC002592
ETIM 6.0	EC002592
ETIM 5.0	EC002592
ETIM 4.0	EC002592

### product compliance

ROHS conformity status	compliant
------------------------	-----------

REACH-SVHC conformity status	compliant
------------------------------	-----------

Qu - PEE 12/92





Weitergabe sowie Vervielfältigung dieses Dokuments, Verwertung und Mitteilung seines Inhalts sind verboten, soweit nicht ausdrücklich gestattet. Die reproduction, distribution and utilization of this document as well as the communication of its contents to others without express authorization is prohibited.

Teile-Nr. / Part.-No.
R1.320.3010.0
R1.320.3110.0
R1.320.3210.0

Weitere Angaben siehe KATALOG oder eKatalog.  
Additional data see CATALOG or eCatalog.

[www.wieland-electric.com](http://www.wieland-electric.com)  
[eshop.wieland-electric.com](http://eshop.wieland-electric.com)

ja/yes  Stoffverbots- und Deklarationsliste nach WN 5020.010 ist einzuhalten.  
Conformity with Wieland document WN 5020.010 e (list of prohibited / declarable hazardous substances) to be declared!

Freitoleranz nach General tolerance		CAD-Zeichnung, keine manuellen Änderungen CAD-Drawing, no manual modifications allowed			1. Verwendung: First Use:		Blatt: Sheet:		
 Maßstab/Scale		Werkstoff/ Material		2015	Tag/ Date	Name		Zeichnung Nr./ Drawing No.	
				gezeichnet drawn	10.03.	Kötzner		T R1.320.3010.0 01K	
				geprüft checked					
				Normgepr. Stand. check				Maße in mm/Dimensions are in mm	
		Datei/ File: 037611__01K.DCD			Ersatz für/ Replacement for:				
		 <b>wieland</b> www.wieland-electric.com		Type		Benennung/ Title		Teilespezifikation / Component specification	
Index				Datum/ Blatt Date/ Sheet					
Änderung/ Revision									

A  
1  
2  
3  
4  
5  
6  
7  
8  
9  
10  
11  
12  
13  
14  
15  
16  
17  
18  
19  
20  
M1  
M2  
M3  
L  
G  
i  
11.1  
12.1  
1.1