

## Data sheet

Commercial Art.No.: R1.340.5130.0

safety switch SLS 5130

Position switch, plastic plunger, snap-action contact, 2 NC contacts, screw connection



Commercial Art.No.	R1.340.5130.0
EAN	4049088426919
Order Unit	1

certificates / approvals



## Technical data

### general

ambient temperature min.	-30 °C
ambient temperature max.	75 °C
storage temperature / transport min.	-40 °C
storage temperature / transport max.	80 °C
housing material	thermoplastic GV (UL94-V0)
cover material	thermoplastic GV (UL94-V0)
weight	60 g
width	31 mm
height	74 mm
depth	30.3 mm
suitable for safety functions	yes

### mechanical data

contact type	-
mechanical life time	10 x 10 <sup>6</sup>
connection type	screw connection
cable entry	1 x M20x1.5
installation position	operator definable
degree of protection (IP)	IP66/IP67
type of excitation	plunger
actuating force max.	≤ 30 N
actuating force min.	≥ 10 N
pollution degree	3

device class	category 3 (MC3+CC2+SC1) IEC/EN 60947-1
actuating speed	0,06 m/min < V <30 m/min
bounce time	< 3 ms
changeover time	< 8 ms
operating cycles	3600 1/h
number of contacts as normally closed contact	2
maximum conductor cross section (flex., stranded) with cable end sleeve	1.5 mm <sup>2</sup>
minumum conductor cross section (flex., stranded) with cable end sleeve	0.34 mm <sup>2</sup>

**electrical data**

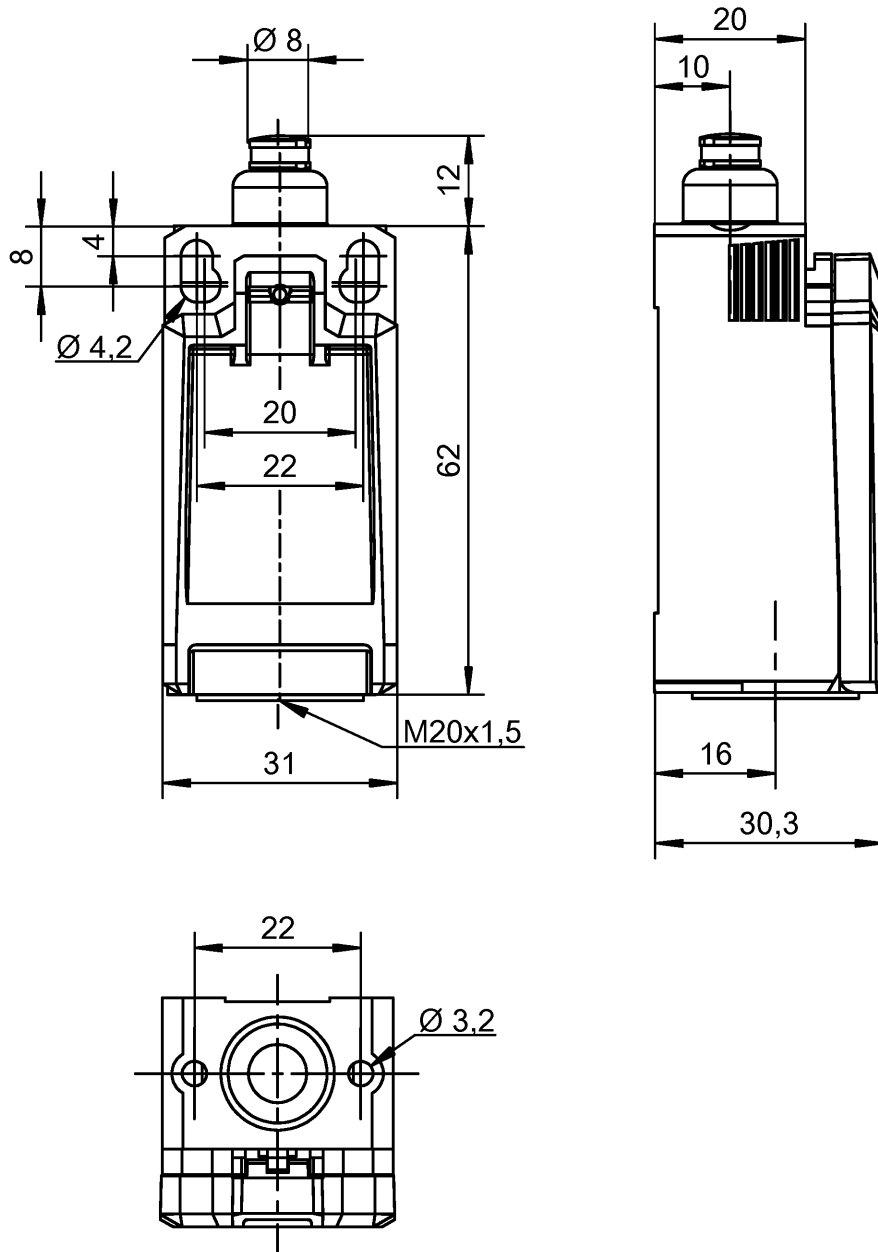
protection class	II
operating voltage	240V AC / 24 V DC
rated frequency min.	50 Hz
rated frequency max.	60 Hz
isolation voltage	400 V
rated impulse voltage	4 kV
utility category	AC-15: 230V/1,5A; DC-13: 24V/4A
short-circuit protective device	safety fuse 4 A Klasse gG, enamel integral < 100 A <sup>2</sup> s
thermal current	5 A
min. switching current	1 mA
conditional short-circuit current	400 A
contact resistance	25 mOhm
type of electric connection	cable
B10d NC	20 x 10 <sup>6</sup>
B10d NO	1 x 10 <sup>6</sup>

**classification**

ECLASS 11	
ECLASS 8.1	27270601
ETIM 9.0	EC000030
ETIM 8.0	
ETIM 7.0	
ETIM 6.0	
ETIM 5.0	EC000030
ETIM 4.0	EC000030
ETIM 3.0	EC000030

**product compliance**

ROHS conformity status	compliant
REACH-SVHC conformity status	compliant



Qu - PEE 12/92

Teile-Nr. / Part No.	Typ / Type
R1.340.5150.0	SLS 5150
R1.340.5130.0	SLS 5130

Weitere Angaben siehe KATALOG oder eKatalog.  
Additional data see CATALOG or eCatalog.

[www.wieland-electric.com](http://www.wieland-electric.com)  
[eshop.wieland-electric.com](http://eshop.wieland-electric.com)

ja/yes  Stoffverbots- und Deklarationsliste nach WN 5020.010 ist einzuhalten.  
Conformity with Wieland document WN 5020.010 e (list of prohibited / declarable hazardous substances) to be declared!

Freitoleranz nach  
General tolerance

CAD-Zeichnung, keine manuellen Änderungen  
CAD-Drawing, no manual modifications allowed

1. Verwendung:  
First Use:

Blatt:  
Sheet:

	Werkstoff/ Material	2017	Tag/ Date	Name	Zeichnung Nr./ Drawing No. <b>T R1.340.5150.0 01K</b>
		gezeichnet drawn	25.10.	Koetzner	
Maßstab/Scale		geprüft checked			Maße in mm/Dimensions are in mm
		Normgepr. Stand. check			
Datei/ File: 045661_01K/R1.340.5150.0.DCD		Ersatz für/ Replacement for:			
 www.wieland-electric.com		Type	Benennung/ Title Teilespezifikation / Component specification Sicherheitschalter SLS / safety switch SLS		
Index	Datum/ Blatt Date/ Sheet				
Änderung/ Revision					