

Data sheet

Commercial Art.No.: R1.340.6530.0

safety switch SLS 6530

Position switch, plastic roll, snap-action contact, 2 NC contacts, screw connection



| | |
|--------------------|---------------|
| Commercial Art.No. | R1.340.6530.0 |
| EAN | 4049088426995 |
| Order Unit | 1 |

certificates / approvals



Technical data

general

| | |
|--------------------------------------|----------------------------|
| ambient temperature min. | -30 °C |
| ambient temperature max. | 75 °C |
| storage temperature / transport min. | -40 °C |
| storage temperature / transport max. | 80 °C |
| housing material | thermoplastic GV (UL94-V0) |
| cover material | thermoplastic GV (UL94-V0) |
| weight | 60 g |
| width | 31 mm |
| height | 74 mm |
| depth | 30.3 mm |
| suitable for safety functions | yes |

mechanical data

| | |
|---------------------------|-----------------------------------------|
| mechanical life time | 10 x 10 ⁶ |
| connection type | screw connection |
| cable entry | 1 x M20x1.5 |
| installation position | operator definable |
| degree of protection (IP) | IP66/IP67 |
| type of excitation | plunger |
| actuating force max. | ≤ 30 N |
| actuating force min. | ≥ 10 N |
| pollution degree | 3 |
| device class | category 3 (MC3+CC2+SC1) IEC/EN 60947-1 |

| | |
|-------------------------------------------------------------------------|--------------------------|
| actuating speed | 0,06 m/min < V <30 m/min |
| bounce time | < 3 ms |
| changeover time | < 8 ms |
| operating cycles | 3600 1/h |
| number of contacts as normally closed contact | 2 |
| maximum conductor cross section (flex., stranded) with cable end sleeve | 1.5 mm ² |
| minumum conductor cross section (flex., stranded) with cable end sleeve | 0.34 mm ² |

electrical data

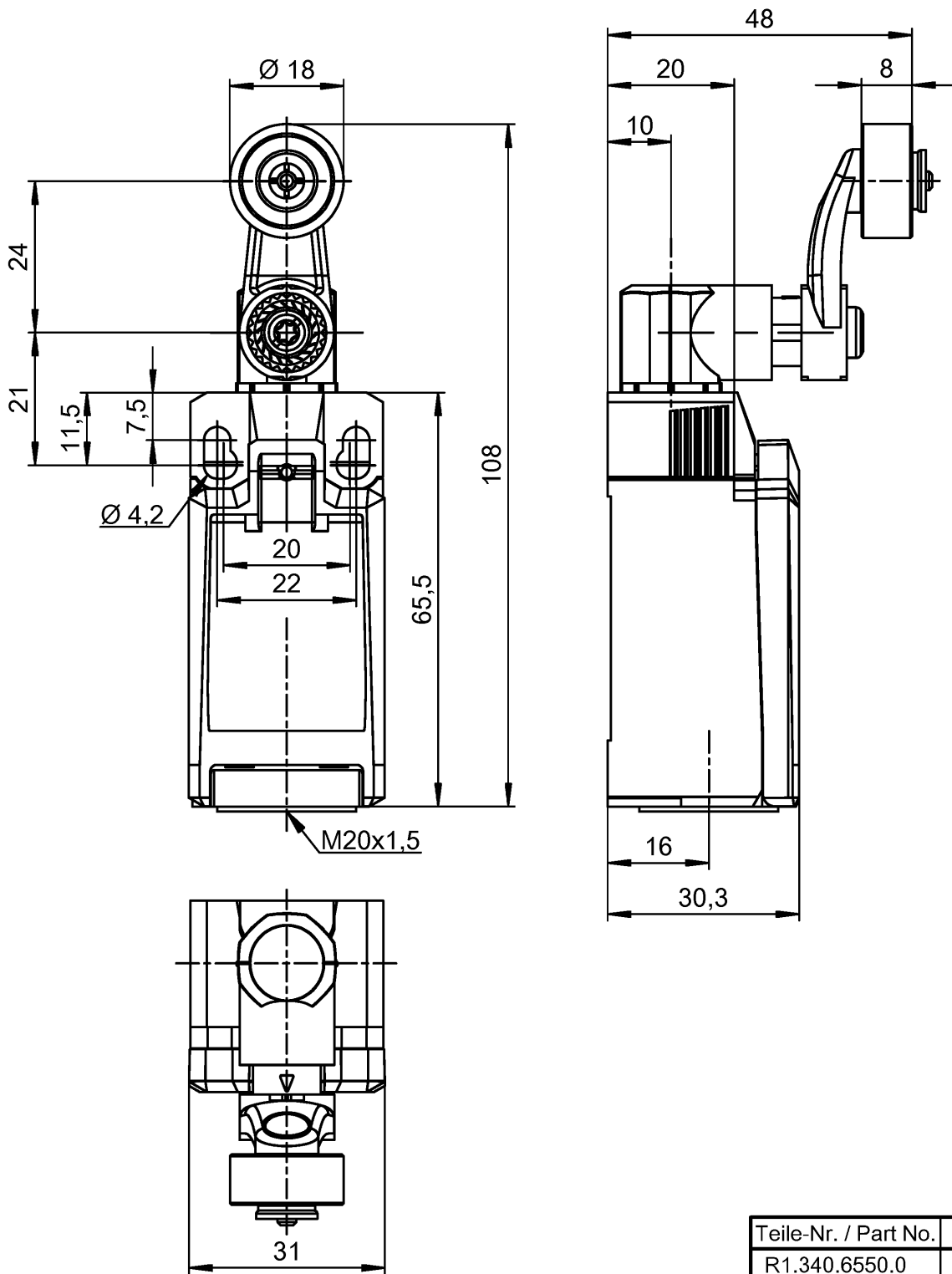
| | |
|-----------------------------------|-------------------------------------------------------------------|
| protection class | II |
| operating voltage | 240V AC / 24 V DC |
| rated frequency min. | 50 Hz |
| rated frequency max. | 60 Hz |
| isolation voltage | 400 V |
| rated impulse voltage | 4 kV |
| utility category | AC-15: 230V/1,5A; DC-13: 24V/4A |
| short-circuit protective device | safety fuse 4 A Klasse gG, enamel integral < 100 A ² s |
| thermal current | 5 A |
| min. switching current | 1 mA |
| conditional short-circuit current | 400 A |
| contact resistance | 25 mOhm |
| type of electric connection | cable |
| B10d NC | 20 x 10 ⁶ |
| B10d NO | 1 x 10 ⁶ |

classification

| | |
|------------|----------|
| ECLASS 11 | |
| ECLASS 8.1 | 27270601 |
| ETIM 9.0 | EC000030 |
| ETIM 8.0 | |
| ETIM 7.0 | |
| ETIM 6.0 | |
| ETIM 5.0 | EC000030 |
| ETIM 4.0 | EC000030 |
| ETIM 3.0 | EC000030 |

product compliance

| | |
|------------------------------|-----------|
| ROHS conformity status | compliant |
| REACH-SVHC conformity status | compliant |





Qu - PEE 12/92

| Teile-Nr. / Part No. | Typ / Type |
|----------------------|------------|
| R1.340.6550.0 | SLS 6550 |
| R1.340.6530.0 | SLS 6530 |

Weitere Angaben siehe KATALOG oder eKatalog.
Additional data see CATALOG or eCatalog.

www.wieland-electric.com
eshop.wieland-electric.com

ja/yes Stoffverbots- und Deklarationsliste nach WN 5020.010 ist einzuhalten.
Conformity with Wieland document WN 5020.010 e (list of prohibited / declarable hazardous substances) to be declared!

| | | | | | | | | | |
|------------------------------------------------------------------------------------------------------|-----------------------------|------------------------------------------------------------------------------------------------------------------------------------------------------------------------------|--|------------------------------|------------------------------|--------------------------------------------------------------------------------------------------|------------------|---------------------------------------------------------------|--|
| Freitoleranz nach General tolerance | | CAD-Zeichnung, keine manuellen Änderungen CAD-Drawing, no manual modifications allowed | | | 1. Verwendung: First Use: | | Blatt: Sheet: | | |
|  Maßstab/Scale | | Werkstoff/ Material | | 2017 | Tag/ Date | Name | | Zeichnung Nr./ Drawing No. | |
| | | | | gezeichnet drawn | 25.10. | Koetzner | | T R1.340.6550.0 01K Maße in mm/Dimensions are in mm | |
| | | | | geprüft checked | | | | | |
| | | | | Normgepr. Stand. check | | | | | |
| Datei/ File: 045661_01K/R1.340.6550.0.DCD | | | | Ersatz für/ Replacement for: | | | | | |
| | | | | Type | | Benennung/ Title | | | |
| | | | | | | Teilespezifikation / Component specification Sicherheitschalter SLS / safety switch SLS | | | |
| Index | Datum/ Blatt Date/ Sheet |  wieland www.wieland-electric.com | | | | | | | |
| Änderung/ Revision | | | | | | | | | |