

Data sheet

Commercial Art.No.: R1.450.9250.0

shaft coupling SAFE HTL ENCODER COUP-SHAFT-58S-S-10-10

Shaft coupling, Solid shaft, Size 58mm , Stainless-Steel, shaft diameter 10mm to 10mm



Commercial Art.No.	R1.450.9250.0
EAN	4049088521980
Order Unit	1

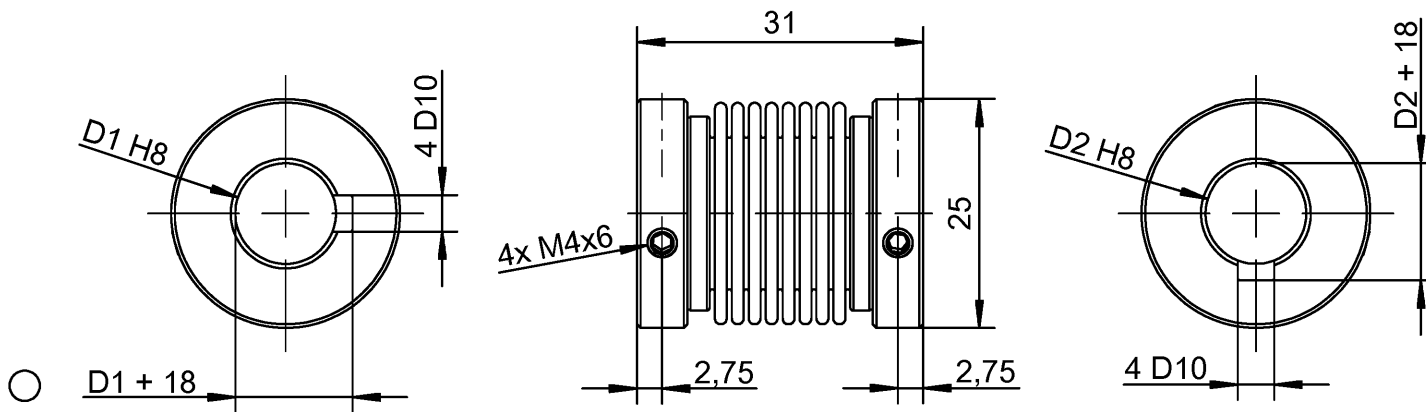
Technical data

classification

ECLASS 11	27272591
ECLASS 8.1	27279106
ETIM 9.0	EC011694
ETIM 8.0	
ETIM 7.0	
ETIM 6.0	
ETIM 5.0	EC011694
ETIM 4.0	EC011694
ETIM 3.0	EC011694

product compliance

ROHS conformity status	compliant
REACH-SVHC conformity status	compliant



Qu - PEE 12/92

Teile-Nr. / Part No.	Typ / Type	D1	D2
R1.450.9250.0	COUP-SHAFT-58S-10-10	10mm	10mm
R1.450.9251.0	COUP-SHAFT-90S-11-11	11mm	11mm

Weitere Angaben siehe KATALOG oder eKatalog.
Additional data see CATALOG or eCatalog.

www.wieland-electric.com
eshop.wieland-electric.com

ja/yes Stoffverbots- und Deklarationsliste nach WN 5020.010 ist einzuhalten.
Conformity with Wieland document WN 5020.010 e (list of prohibited / declarable hazardous substances) to be declared!

Freitoleranz nach General tolerance	CAD-Zeichnung, keine manuellen Änderungen CAD-Drawing, no manual modifications allowed	1. Verwendung: First Use:	Blatt: Sheet:
--	---	------------------------------	------------------

	Werkstoff/ Material	2018	Tag/ Date	Name	Zeichnung Nr./ Drawing No. T R1.450.9250.0 01K
		gezeichnet drawn	13.12.	Koetzner	
Maßstab/Scale		geprüft checked			Maße in mm/Dimensions are in mm
		Normgepr. Stand. check			
Datei/ File: 046231_01K/R1.450.9250.0.DCD		Ersatz für/ Replacement for:			
		Type	Benennung/ Title Teilespezifikation / Component specification SENC - Zubehoer / Accessories		
Index	Datum/ Blatt Date/ Sheet				
Änderung/ Revision					