

Data sheet

Commercial Art.No.: R1.450.9335.0

encoder cable SAFE HTL ENCODER CABLE-M23CKW-PUR-150

Encoder cable, 15 m, Head A:M23, 12 pins, Clockwise connector, Counter- Clockwise wiring, Cable:PUR, shielded, M23, 12 pins, Counter-Clockwise wiring, Head B: free end



| | |
|--------------------|---------------|
| Commercial Art.No. | R1.450.9335.0 |
| EAN | 4049088522079 |
| Order Unit | 1 |

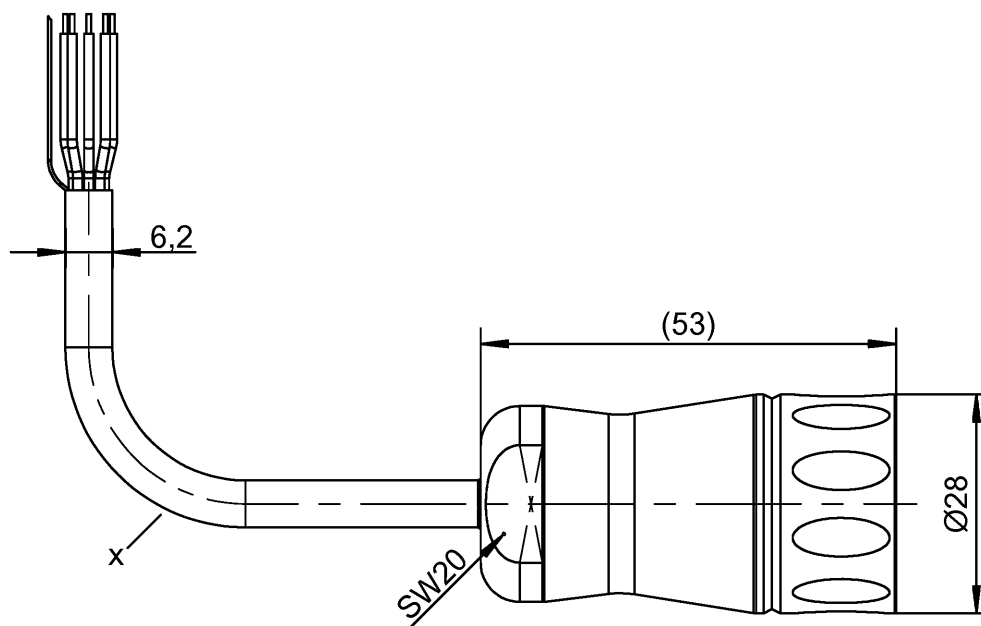
Technical data

classification

| | |
|------------|----------|
| ECLASS 11 | |
| ECLASS 8.1 | 27249205 |
| ETIM 9.0 | EC000237 |
| ETIM 8.0 | |
| ETIM 7.0 | |
| ETIM 6.0 | |
| ETIM 5.0 | EC000237 |
| ETIM 4.0 | EC000237 |

product compliance

| | |
|------------------------------|-----------|
| ROHS conformity status | compliant |
| REACH-SVHC conformity status | compliant |





Qu - PEE 12/92

| Teile-Nr. / Part No. | Typ / Type | X= Laenge / Length |
|----------------------|----------------------|--------------------|
| R1.450.9310.0 | CABLE-M23CKW-PUR-015 | 1,5m |
| R1.450.9314.0 | CABLE-M23CKW-PUR-030 | 3m |
| R1.450.9320.0 | CABLE-M23CKW-PUR-050 | 5m |
| R1.450.9324.0 | CABLE-M23CKW-PUR-070 | 7m |
| R1.450.9330.0 | CABLE-M23CKW-PUR-100 | 10m |
| R1.450.9335.0 | CABLE-M23CKW-PUR-150 | 15m |
| R1.450.9340.0 | CABLE-M23CKW-PUR-200 | 20m |

Weitere Angaben siehe KATALOG oder eKatalog.
Additional data see CATALOG or eCatalog.

www.wieland-electric.com
eshop.wieland-electric.com

ja/yes Stoffverbots- und Deklarationsliste nach WN 5020.010 ist einzuhalten.
Conformity with Wieland document WN 5020.010 e (list of prohibited / declarable hazardous substances) to be declared!

| | | | | | | | | | |
|--|--|---|--|--|------------------------------|------------------|------------------|---|--|
| Freitoleranz nach General tolerance | | CAD-Zeichnung, keine manuellen Änderungen CAD-Drawing, no manual modifications allowed | | | 1. Verwendung: First Use: | | Blatt: Sheet: | | |
|  Maßstab/Scale | | Werkstoff/ Material | | 2018 | Tag/ Date | Name | | Zeichnung Nr./ Drawing No. | |
| | | | | gezeichnet drawn | 13.12. | Koetzner | | T R1.450.9310.0 01K Maße in mm/Dimensions are in mm | |
| | | | | geprüft checked | | | | | |
| | | | | Normgepr. Stand. check | | | | | |
| Datei/ File: 046231_01K/R1.450.9310.0.DCD | | | | Ersatz für/ Replacement for: | | | | | |
| | | | | Type | | Benennung/ Title | | Teilespezifikation / Component specification | |
| Index | | Datum/ Blatt Date/ Sheet | |  wieland www.wieland-electric.com | | | | SENC - Zubehoer / Accessories | |
| Änderung/ Revision | | | | | | | | | |