

Data sheet

Commercial Art.No.: Z7.255.8627.0

jumper bar IVB WKN 6 TK-6

Jumper comp, insulated for DIN rail terminal blocks type 9700/WK 6/WKN 6 TK/WK 4 THSI, 6-pole



Commercial Art.No.	Z7.255.8627.0
EAN	4015573153769
Order Unit	10

Technical data

general

color	yellow
modular spacing	8 mm
number of bridged clamps	6
mounting method	screwable
insulated	yes
model	cross connector

accessories

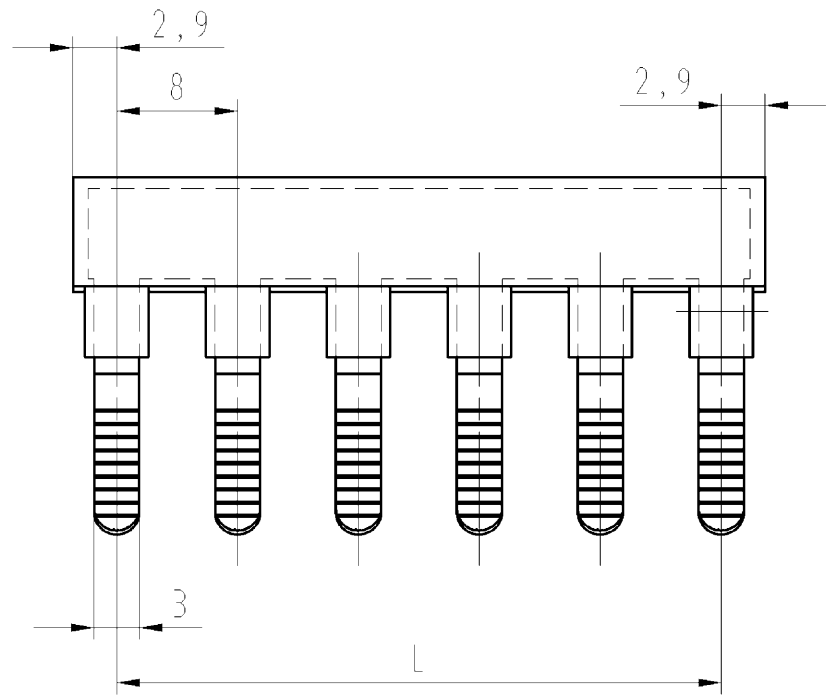
rated current	41 A
mounting method	screwable
insulated	yes
color	yellow
number of bridged clamps	6
modular spacing	8 mm

classification

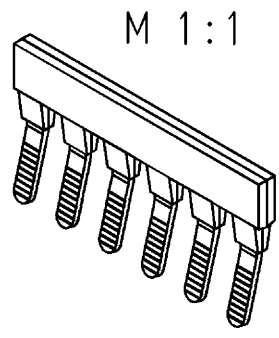
ECLASS 11	
ECLASS 8.1	27141140
ETIM 9.0	EC000489
ETIM 8.0	EC000489
ETIM 7.0	EC000489
ETIM 6.0	EC000489
ETIM 5.0	EC000489
ETIM 4.0	EC000489
ETIM 3.0	EC000489

product compliance

ROHS conformity status	compliant
REACH-SVHC conformity status	compliant



6-polig dargestellt
6-pole pictured



Teile - Nr. part - no.	Polzahl pole	L
Z7.255.8227.0	2	1x8= 8
Z7.255.8327.0	3	2x8=16
Z7.255.8427.0	4	3x8=24
Z7.255.8527.0	5	4x8=32
Z7.255.8627.0	6	5x8=40
Z7.255.8727.0	7	6x8=48
Z7.255.8827.0	8	7x8=56
Z7.255.8927.0	9	8x8=64
Z7.255.9027.0	10	9x8=72
Z7.255.9127.0	11	10x8=80
Z7.255.9227.0	12	11x8=88

These dimensions will be especially checked at delivery
Only inspection dimensions
With /E marked dimensions are only valid for internal use

Diese Maße werden bei Abnahme besonders geprüft
Ausschließlich Prüfmaße
Mit /E gekennzeichnete Maße sind nur für interne Zwecke gültig

Tolerierung Size ISO 14405(☐)/Tolerance system Size ISO 14405(☐).
(This ISO-standard describes the envelope principle. According to the envelope principle the deviations of form and parallelism are limited by the size tolerances).

ja/yes Stoffverbots- und Deklarationsliste nach UU-TQM-05/03 ist einzuhalten.
Conformity with Wieland document UU-TQM-05/03 (list of prohibited / declarable hazardous substances) to be declared!

Freitoleranz nach DIN ISO 2768 T1 m CAD - Zeichnung, keine manuellen Änderungen I.Verwendung: - Blatt: 1 von 1
General tolerance CAD - drawing, no manual modifications allowed First Use: Sheet: 1 of 1

Werkstoff/Material		2013 Tag/Date	Name	Zeichnung Nr./Drawing No.	Index
		gezeichnet drawn	13.09. Treschan		
		geprüft checked	-		
Vol. mm ³ Oil./Surf. mm ²		Ersatz für/Replacement for: -		Maße in mm/Dimensions are in mm	
		Type	Benennung/Tittle		
		ISOL_VERBINDUNGSSTEG			
		insulated jumper bar			
		für/for WK6, WKN6TK, 9700A /B, WK4THSI			
Index	Datum / Blatt Date / Sheet				
Änderung/Revision					

Weitergabe sowie Vervielfältigung dieses Dokuments, Verwertung und Mitteilung seines Inhalts sind verboten, soweit nicht ausdrücklich gestattet. Die Reproduktion, Distribution und Utilization of this document as well as the communication of its contents to others without express authorization is prohibited.

Z72558227001K_2 CADWKS028 Treschan 2013-09-13 11:45:35 1.000