

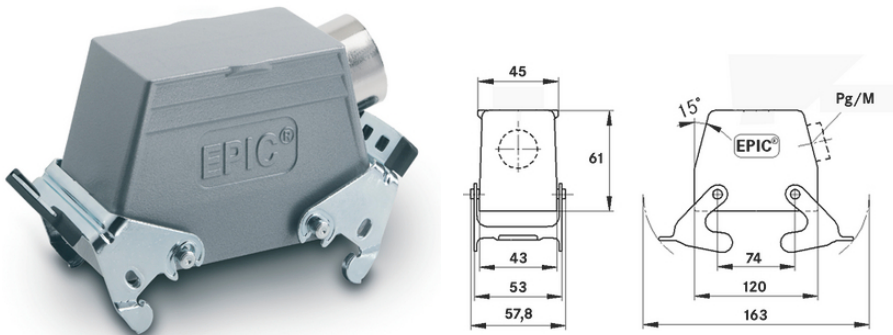
## EPIC® H-B 24 TSB

Housing design H-B. The industry standard.

The robust metal housing with 2 double levers, a side cable entry and a neck is suitable for use in investment construction.

### Info

Non-slip ridges for comfortable disconnecting  
 For connection with counterpart with integrated cover  
 Protection rating UL50E tested



Supplementary automation components from Lapp



Mechanical and plant engineering



Mechanical resistance



Robust



Waterproof

### Benefits

Ideal for many applications due to a wide range of housings and inserts  
 Double lever version with 2 levers for increased safety

### Application range

Plant engineering  
 Light & sound technology  
 Plastics industry

Last Update (10.11.2024)

©2024 Lapp Group - Technical changes reserved

Product Management [www.lappkabel.de](http://www.lappkabel.de)

You can find the current technical data in the corresponding data sheet.

PN 0456 / 02\_03.16

## EPIC® H-B 24 TSB

### Product features

Hood, low version  
Dual levers  
Side cable entry  
Versions with neck

### Technical Data

Classification ETIM 5:	ETIM 5.0 Class-ID: EC000437 ETIM 5.0 Class-Description: Housing for industrial connectors
Classification ETIM 6:	ETIM 6.0 Class-ID: EC000437 ETIM 6.0 Class-Description: Housing for industrial connectors
Material:	Housing: powder-coated aluminium alloy, grey Lever: zinc-plated steel Sealing: NBR
Protection rating:	IP 65 (latched) NEMA 250, UL50E: 12, 4 (latched)
VDE-tested:	Certified production control: VDE-REG. no.: B437 UL-tested: UL File Number: E75770
Temperature range:	-40 °C to +100 °C, short-term up to +125 °C

### Note

Photographs and graphics are not to scale and do not represent detailed images of the respective products.  
Prices are net prices without VAT and surcharges. Sale to business customers only.

**EPIC® H-B 24 TSB**

Article number	Article description	M	PG	Neck	Packaging unit
H-B housing: hood (side cable entry, double lever)					
10114000	H-B 24 TSB 21	-	21	yes	5
10124000	H-B 24 TSB 29	-	29	yes	5
19114000	H-B 24 TSB M25	25	-	yes	5
19124000	H-B 24 TSB M32	32	-	yes	5

Last Update (10.11.2024)

©2024 Lapp Group - Technical changes reserved

Product Management [www.lappkabel.de](http://www.lappkabel.de)

You can find the current technical data in the corresponding data sheet.

PN 0456 / 02\_03.16