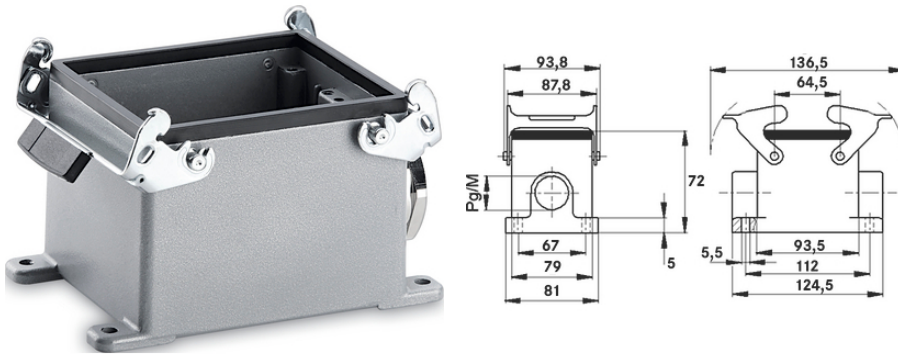


EPIC® H-B 32 SGR

Housing design H-B for 2 inserts.

The base housing, 2 double levers and a cable entry form the connector housing, which is ideal for use in control systems.



Benefits

Two inserts in one housing. With two levers for high safety

M40 housing extension on M50 with SKINTOP 53112083 possible (clamping range 27 - 35 mm)

Application range

Plant engineering
Control engineering
Plastics industry

Product features

Surface-mount base
Dual levers
1 cable entry

Technical Data

Classification ETIM 5:

ETIM 5.0 Class-ID: EC000437

ETIM 5.0 Class-Description: Housing for industrial connectors

Classification ETIM 6:

ETIM 6.0 Class-ID: EC000437

ETIM 6.0 Class-Description: Housing for industrial connectors

Material:

Housing: powder-coated aluminium alloy, grey

Lever: zinc-plated steel

Sealing: NBR

Protection rating:

IP 65 (latched)

Temperature range:

-40°C to +100°C, short-term up to +125°C

Note

Photographs and graphics are not to scale and do not represent detailed images of the respective products.

Last Update (24.10.2024)

©2024 Lapp Group - Technical changes reserved

Product Management www.lappkabel.de

You can find the current technical data in the corresponding data sheet.

PN 0456 / 02_03.16

EPIC® H-B 32 SGR

Prices are net prices without VAT and surcharges. Sale to business customers only.



EPIC® H-B 32 SGR

Article number	Article description	M	PG	Packaging unit
H-B housing: surface-mount base (1 cable entry, double lever)				
10137000	H-B 32 SGR 29	-	29	5
19137000	H-B 32 SGR M32	32	-	5
19146400	H-B 32 SGR M40	40	-	5

Last Update (24.10.2024)

©2024 Lapp Group - Technical changes reserved

Product Management www.lappkabel.de

You can find the current technical data in the corresponding data sheet.

PN 0456 / 02_03_16