

Data sheet

Art.No.: 96.072.6353.1

device connector RST20I7S S1 M02V SW

RST® CLASSIC device connector, modular, straight, M32, number of poles 7, model male, connection type screw connection, rated voltage 250 V / 400 V, rated current 20 A, color of coding/ contact carrier black



Art.No.	96.072.6353.1
EAN	4049088553998
Order Unit	1

certificates / approvals



RINA



Technical data

general

rated current	20 A
rated voltage	250 V / 400 V
pollution degree	3
rated impulse voltage	4 kV
continuity resistor	0.65 mOhm
lockable	self-locking (unlocking by tool)
color of coding/ contact carrier	black
Pole codification	1, 2, 3, 4/N, 5, 6, PE

connection data

connection cross section solid mm ² max.	2.5 mm ²
connection cross section solid mm ² min.	0.2 mm ²
connection cross section fine stranded mm ² max.	2.5 mm ²
connection cross section fine stranded mm ² min.	0.2 mm ²
terminations per pole	1
wire strip length	8 mm

technical data UL

connection cross section stranded AWG min.	20 AWG
--	--------

model

model	male
connection type	screw connection
connecting thread metric	M32

angle of plug	straight
degree of protection (IP)	IP66/68 (3m;2h) /IP69
thickness of housings (electrical device)	0.5 mm
thickness of housings (electrical device)	7 mm

material

housing material	polyamide
halogen free	yes
contact material	CuZn
fire load	0 kWh/St
insulation components continuous temperature	100 °C
surface finish	silver-plated

dimensions

length	49.3 mm
width	40 mm
height	40 mm

note

note	wires with 2.5 mm ² only without ferrules; positioning realised with flattened thread; 3 poles max. 20A, 4 poles max. 5A
------	---

classification

ECLASS 11	
ECLASS 8.1	27440602
ETIM 9.0	EC002566
ETIM 8.0	EC002566
ETIM 7.0	EC002566
ETIM 6.0	EC002566
ETIM 5.0	EC002566
ETIM 4.0	EC002566

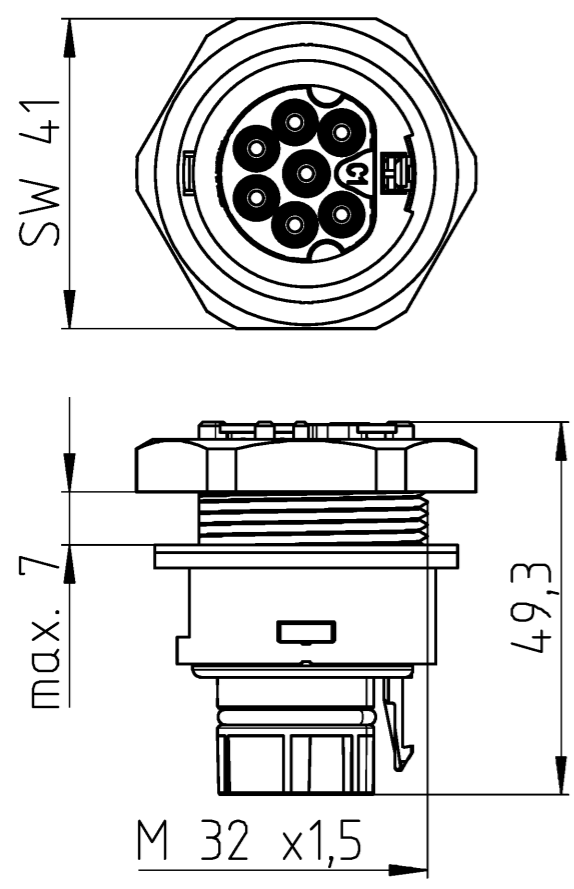
product compliance

ROHS conformity status	compliant/exempted
ROHS exceptions	III-6(c)
REACH-SVHC conformity status	Duty-To-Declare
REACH-SVHC substances	Lead
REACH-SVHC CAS numbers	7439-92-1

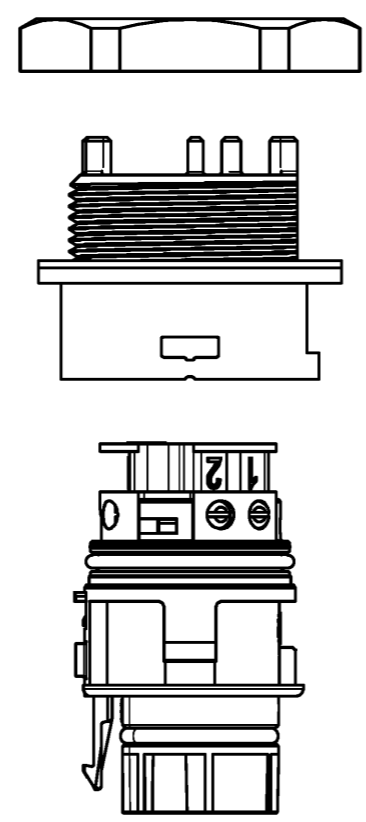
A
 Weitergabe sowie Vervielfältigung dieses Dokuments, Verwertung und Mitteilung seines Inhalts sind verboten, soweit nicht ausdrücklich gestattet.
 The reproduction, distribution and utilization of this document as well as the communication of its contents to others without express authorization is prohibited.

B
 These dimensions will be especially checked at delivery
 Only inspection dimensions
 With /E gekennzeichnete Maße sind nur für interne Zwecke gültig.

C
 Diese Maße werden bei Abnahme besonders geprüft
 Ausschließlich Prüfmaße
 Mit /E gekennzeichnete Maße sind nur für interne Zwecke gültig.

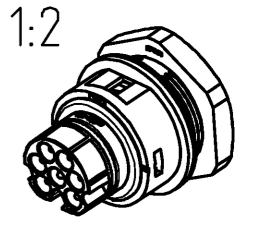


3
 Auslieferungszustand
 delivered condition



4
 * = mit Kontaktabdichtung/with contact seal

● Polverschluss/pole cap



Bestellnummer order number	Typ type	Farbe colour	Kodierung coding
96.072.6353.1	RST2017S S1 M02V SW	schwarz black	
* 9L.072.6353.1	RST2017S 21 M02V SW		
96.072.6353.9	RST2017S S1 M02V BL07	lichtblau light blue	
* 9L.072.6353.9	RST2017S 21 M02V BL07		
96.062.6353.6	RST2016S S1 M02V TB04	türkisblau turquoise blue	
* 9L.062.6353.6	RST2016S 21 M02V TB04		
96.072.6353.6	RST2017S S1 M02V TB04		
* 9L.072.6353.6	RST2017S 21 M02V TB04		

Weitere Daten siehe KATALOG oder eKATALOG.
 Additional data see CATALOG or eKATALOG.

www.wieland-electric.com
 eshop.wieland-electric.com

Öffnungsmassbild siehe 96.071.6353.1 14K
 opening dimension see 96.071.6353.1 14K

Tolerierung Size ISO 14405 © / Tolerance system Size ISO 14405 ©. (This ISO-standard describes the envelope principle. According to the envelope principle the deviations of form and parallelism are limited by the size tolerances).		ja/yes <input checked="" type="checkbox"/> Stoffverbots- und Deklarationsliste nach WN 5020.010 ist einzuhalten. Conformity with Wieland document WN 5020.010 e (list of prohibited / declarable hazardous substances) to be declared!	
Freitoleranz nach General tolerance	CAD - Zeichnung, keine manuellen Änderungen CAD - drawing, no manual modifications allowed	1 Verwendung: First Use:	Blatt: Sheet: 1 von 1 of 1
Werkstoff / Material	Tag/Date	Name	Zeichnung Nr. / Drawing No.
gezeichnet drawn	24.10.2019	Dütsch T.	T 96.072.6353.1 13K
geprüft checked			
Normgepr. Stand. check			
Vol. mm ³ Dfl./Srf. mm ²	Ersatz für / Replacement for:		
www.wieland-electric.com		Type	Benennung/Title
Index Datum / Blatt Date / Sheet		ST_SCHRAUB ohne Drahtschutz Male, screw connection without wire protection	
Änderung / Revision			