

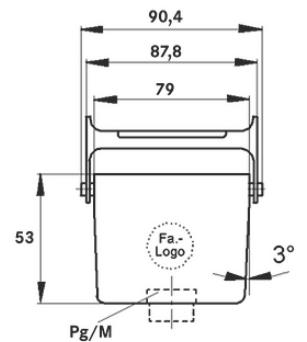
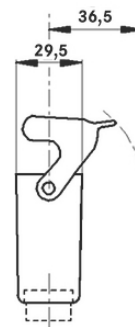
EPIC® H-A 16 TBF-LB

These connectors are attractive because of their compact housing.

The robust compact metal housing is ideal for use in control systems or electronic laboratories.

Info

Protection rating UL50E tested



Mechanical and plant engineering



Mechanical resistance



Robust



Waterproof

Benefits

Small and compact, for applications with high number of contacts

Application range

Machine and equipment manufacturing
Control engineering
Electronic laboratory

Product features

Cable coupler hood, low version
Single lever
Straight cable entry
Versions with / without neck

Last Update (28.10.2024)

©2024 Lapp Group - Technical changes reserved

Product Management www.lappkabel.de

You can find the current technical data in the corresponding data sheet.

PN 0456 / 02_03.16

EPIC® H-A 16 TBF-LB

Technical Data

Classification ETIM 5:	ETIM 5.0 Class-ID: EC000437 ETIM 5.0 Class-Description: Housing for industrial connectors
Classification ETIM 6:	ETIM 6.0 Class-ID: EC000437 ETIM 6.0 Class-Description: Housing for industrial connectors
Material:	Housing: aluminium alloy, grey Lever: zinc-plated steel Sealing: NBR
Protection rating:	IP 65 (latched) NEMA 250, UL50E: 12, 4 (latched)
VDE-tested:	Certified production control: VDE-REG. no.: B437 UL-tested: UL File Number: E75770
Temperature range:	-40°C to +100°C, short-term up to +125°C

Note

Photographs and graphics are not to scale and do not represent detailed images of the respective products. Prices are net prices without VAT and surcharges. Sale to business customers only.

EPIC® H-A 16 TBF-LB

Article number	Article description	M	PG	Neck	Packaging unit
H-A housing: cable coupler hood (straight cable entry, single lever)					
10563000	H-A 16 TBF-LB 16	-	16	yes	5
19563000	H-A 16 TBF-LB M20	20	-	-	5
19563200	H-A 16 TBF-LB M25	25	-	-	5

Last Update (28.10.2024)

©2024 Lapp Group - Technical changes reserved

Product Management www.lappkabel.de

You can find the current technical data in the corresponding data sheet.
PN 0456 / 02_03_16