


22260347	DATA SHEET	
Valid from: 21.12.2023	AB-C4-M12MS-(L*)PUR-M8FS	

Description

- Sensor / actuator cable, 4-pins, PUR halogen-free, black grey RAL 7021
- Straight M12-plug on straight M8-jack



General characteristics

Number of pins	4
Ambient temperature	-40 to +80 °C (cable, fixed installation) -25 to +80 °C (cable, movable installation)
Degree of protection	IP 65 / IP 67 / IP 68
Coding	A-standard
Tightening torque	0,4 Nm (M12-connector) 0,2 Nm (M8-connector)

Variants

Material	Description	Length (L*) [m]	Configuration
22260347	AB-C4-M12MS-0.3PUR-M8FS	0.3	Straight - straight
22260349	AB-C4-M12MS-0.6PUR-M8FS	0.6	Straight - straight
22260350	AB-C4-M12MS-1.0PUR-M8FS	1	Straight - straight
22260348	AB-C4-M12MS-2.0PUR-M8FS	2	Straight - straight
22260924	AB-C4-M12MS-5,0PUR-M8FS	5	Straight - straight
22262232	AB-C4-M12MS-10,0PUR-M8FS	10	Straight - straight

Additional note

Data sheet also valid for variant lengths. Other lengths on request.

Electrical properties


Rated voltage	60 V DC / 48 V AC
Rated current at 40 °C	4 A
Over voltage category	II
Pollution degree	3

Mechanical properties

Plug & jack

Inflammability class according to UL 94	HB
Contact, material	CuSn
Contact surface, material	Ni / Au
Contact carrier, material	TPU GF
Knurl, material	Zinc diecasting, nickel-plated
Handle, material	TPU, flame retardant, self-extinguishing
Seal, material	NBR

Creator: THLE3/PDP Released: IVSE1/PDP	Document: DB22260347EN Version: 05	Page 1 of 3
---	---------------------------------------	-------------

22260347	DATA SHEET	
Valid from: 21.12.2023	AB-C4-M12MS-(L*)PUR-M8FS	


Line

Cable construction	4x AWG24/32
Conductor diameter including isolation	1.17 mm ±0.02 mm
Cable outer diameter	4.4 mm ±0.15 mm
Core identification	Brown, White, Blue, Black
Sheath colour	Black grey, similar to RAL 7021
Bending radius	44 mm
Number of bending cycle	10 000 000
Traveling distance	10 m
Travel speed	3 m/s
Acceleration	5 m/s ²
Cable weight	23 kg/km
Outer coating, material	PUR
Wire insulation, material	PP
Flame resistance	Acc. UL 758/1581 FT2DIN EN 60332-2-2 (20 s)
Halogen-free	Acc. DIN VDE 0472 part 815

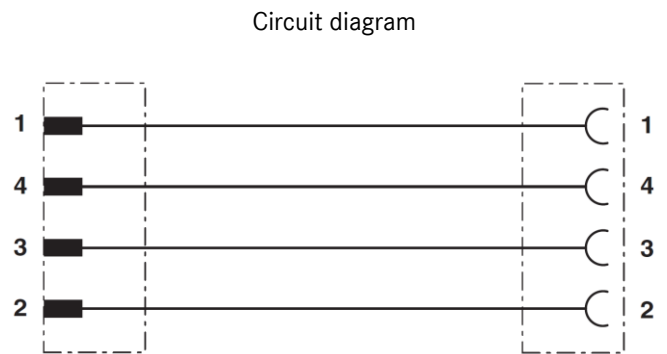
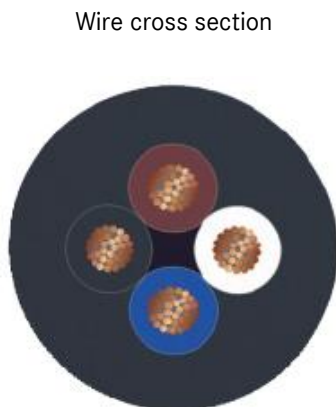
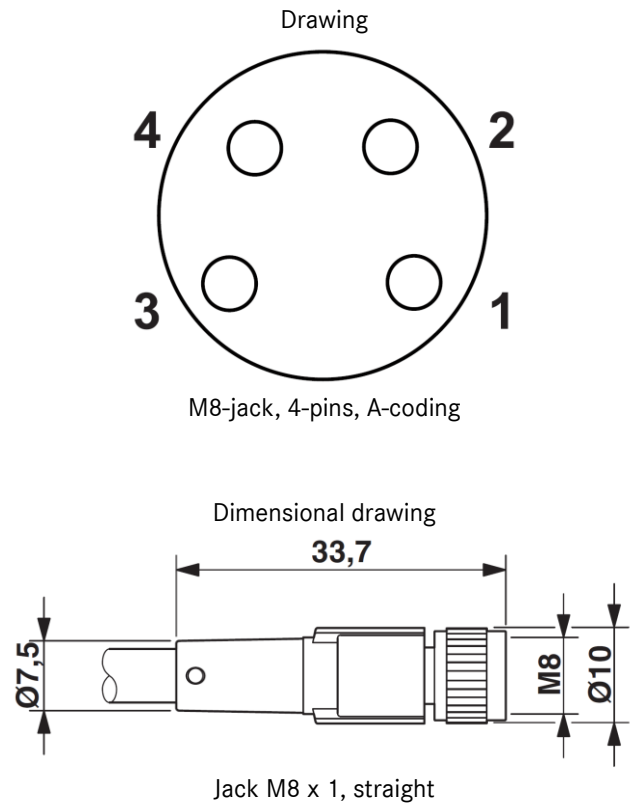
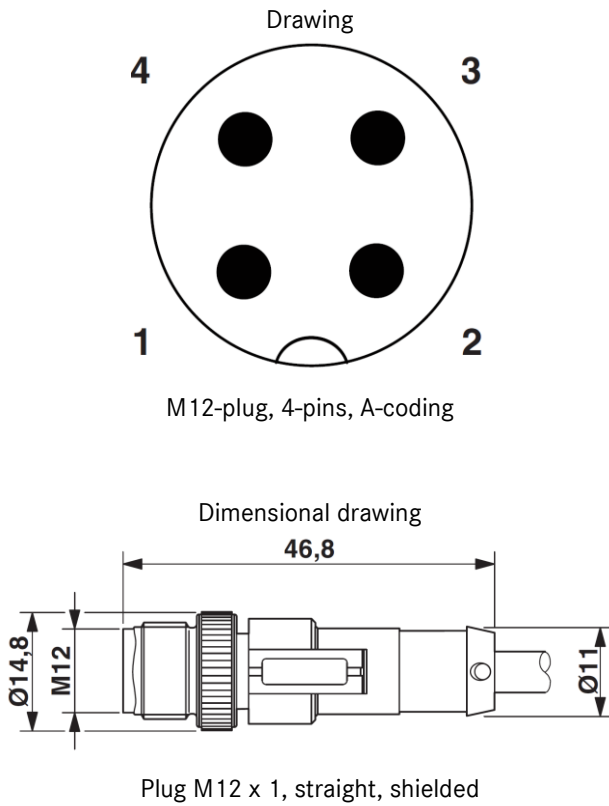
Standards / Approvals

Product standard, M12 connector	IEC 61076-2-101
Product standard, M8 connector	IEC 61076-2-104
UL-Listed, E-File	E249137

Creator: THLE3/PDP Released: IVSE1/PDP	Document: DB22260347EN Version: 05	Page 2 of 3
---	---------------------------------------	-------------

22260347	DATA SHEET	
Valid from: 21.12.2023	AB-C4-M12MS-(L*)PUR-M8FS	

Technical drawing



Contact assignment in the M12-plug and the M8-jack

Application range

Automation, Tool shop, Mechanical Engineering and plant engineering

Note

Photographs are not true to scale and do not represent detailed images of the respective products.

Creator: THLE3/PDP Released: IVSE1/PDP	Document: DB22260347EN Version: 05	Page 3 of 3
---	---------------------------------------	-------------