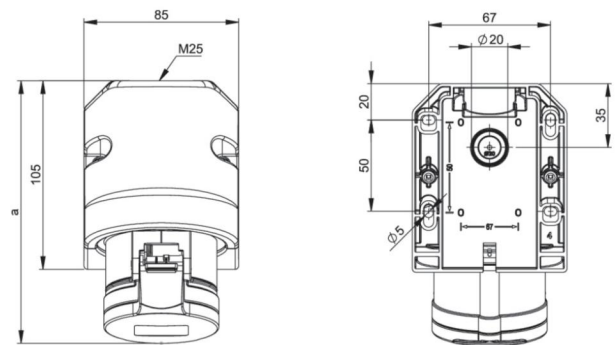


article#	<b>113-6</b>
article description	<b>CEE-wall mounted socket 16A 3p 6h IP44</b>
description long	CEE-wall mounted socket 16A 3p 6h IP44 housing material: PA6 rated current: 16A number of poles: 3 (2P+PE) clock-position: 6h rated voltage/frequency: 200-250V~ / 50+60Hz contacts: brass connection technology: screw terminals cable entry: top and rear inc. threaded cable grommet IP protection class: IP44
GTIN (EAN)	9003399113062
country of origin	AT
customs number	85366990
net weight	0.222 kg
packaging quantity	10
minimum order quantity	10

ETIM 9.0	EC001321
Model	Surface mounted
IEC-amperage	16 A
Number of poles	3
Voltage according to EN 60309-2	230 V (50+60 Hz) blue
Clock hour position	6 h
Identification colour	Blue
Degree of protection (IP)	IP44
Connection system	Screwed terminal
Cable entry	Gland nut
Material	Plastic
Contact material	CuZn
Surface treatment contacts	Untreated
Type of fastening	Inner lying mounting

a	142 mm
b	97 mm
wire flexible	1-2,5 mm <sup>2</sup>
wire solid	1-4 mm <sup>2</sup>
contact screws	100 Ncm
housing screws	110 Ncm
dismantling length	50 mm
stripping length	10-12 mm
ambient temperature	-25 – 40 °C
temperature resistance	-25 – 80 °C
IK-code *)	IK09



<https://www.pcelectric.at/shop/en/?func=detail&artnr=113-6>



\*) The IK-test is not part of the IEC 60309 standard for industrial plugs and socket-outlets or the IEC 60884 standard for household plugs and socket-outlets. PC Electric GmbH has therefore tested the IK-codes of these products in accordance with IEC 62262 and according to the test method of IEC 60068-2-75 Ehc, with conditioning for 48 hours at 40°C and a relative humidity of 95%.