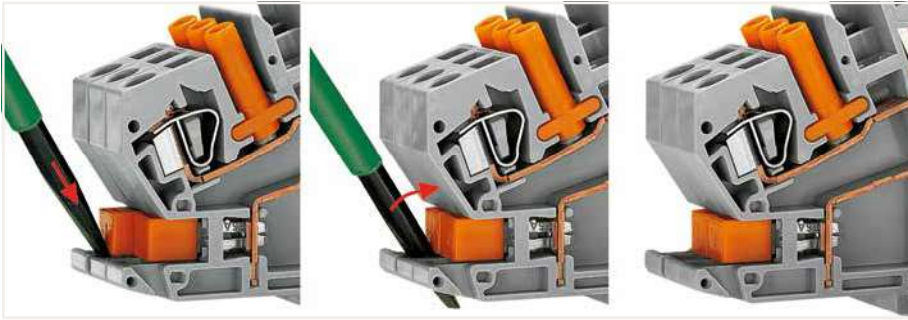


# Disconnect/Test Terminal Blocks; for Current and Voltage Transformer Circuits

## 282 Series

### Description and Installation



Inserting an insulated, touch-proof adjacent jumper into the protected shorting position.



Terminal strip permanently prepared for current transformer circuits.

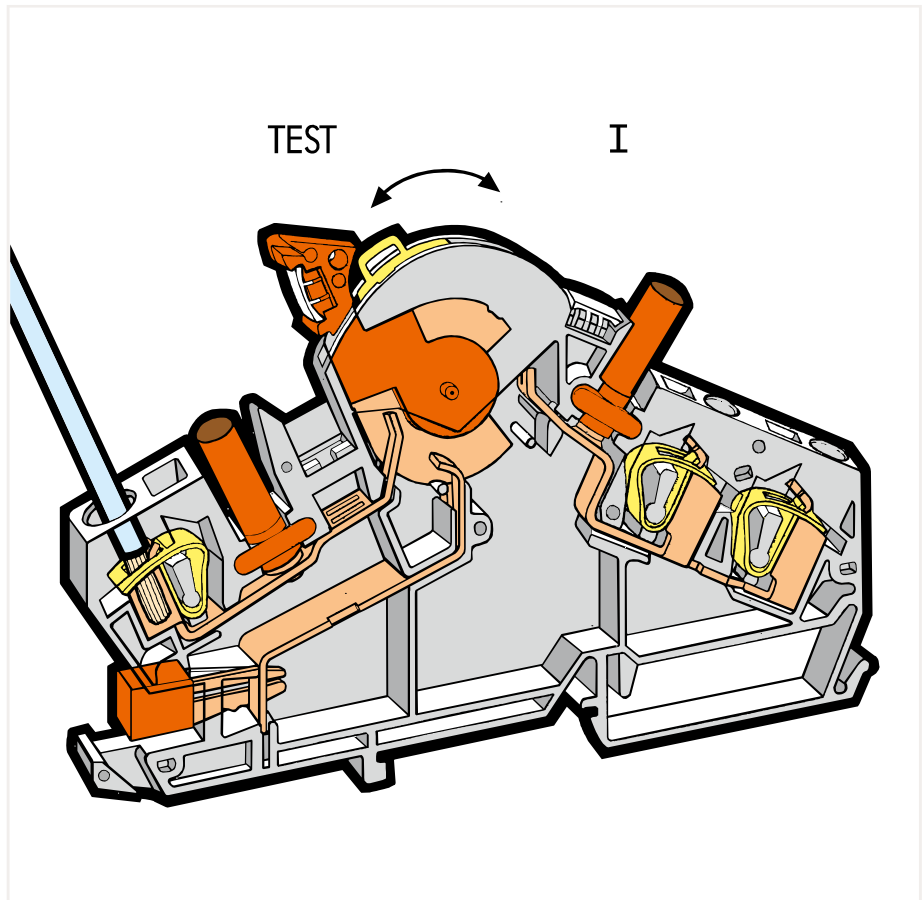
6



Lock-out snaps into one of two notched positions, preventing accidental operation of the disconnect link.



Snapping a transparent locking cover onto 1-8 disconnect links:  
 a) Mechanically lock several links for multi-pole switching applications  
 b) Protect markers



Interlocking link mechanically locks multiple links for multi-pole switching applications.



Touch-proof test sockets for touch-proof 4 mm Ø test plugs (not available from WAGO, but are offered by industry suppliers such as, Fabrikat Multi-Contact)



Labeling via WMB Multi Marking System.



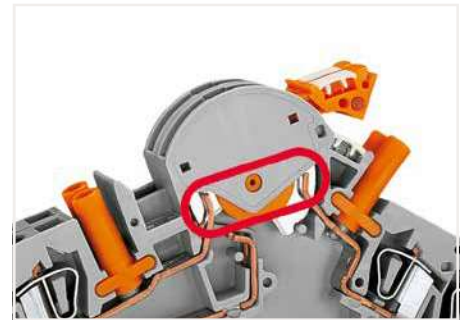
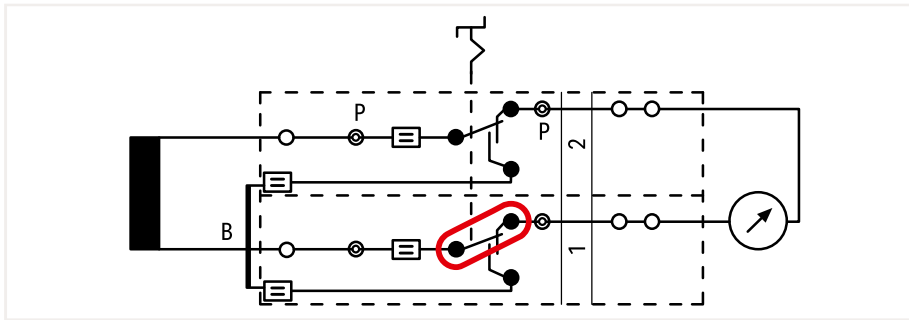
CAGE CLAMP® terminates the following copper conductors:  
 solid "s"



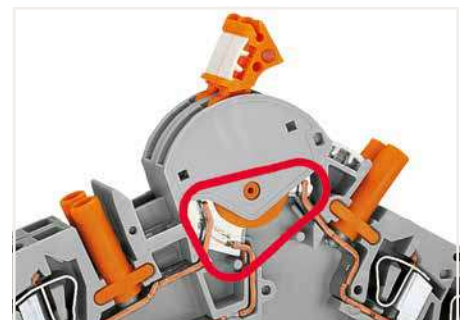
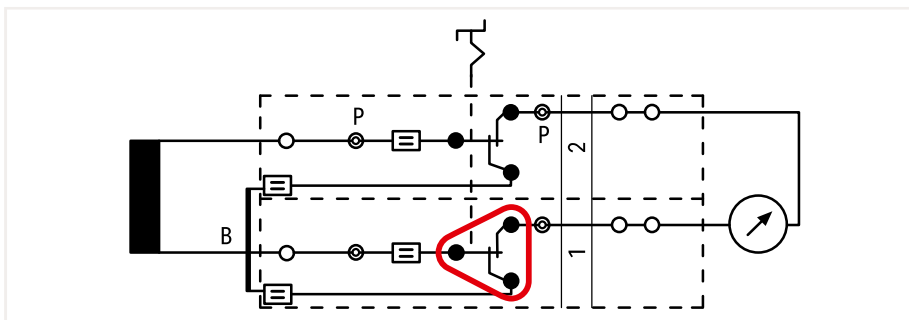
stranded "st"



fine-stranded "f-st", also with tinned single strands

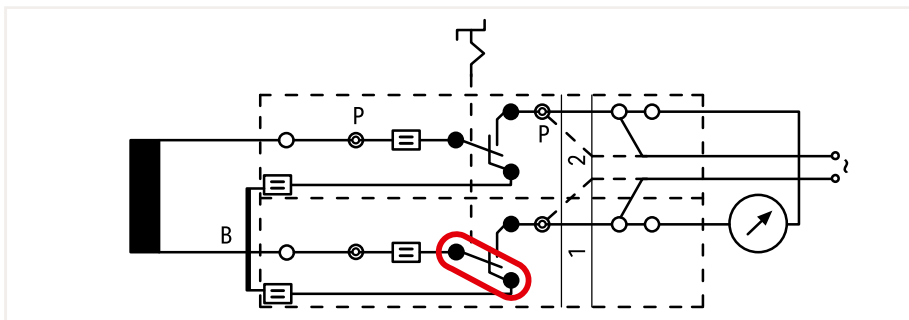


**Disconnect link in notched "I" position**  
 In "I" operating position, the measurement device is connected to the transformer.  
 B = shunting jumper, P = test socket

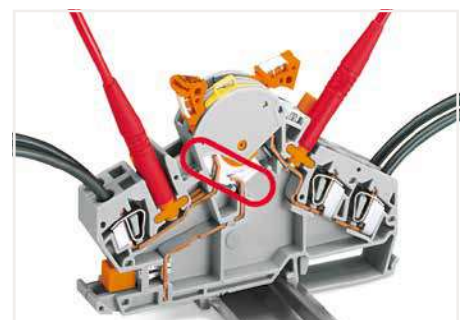
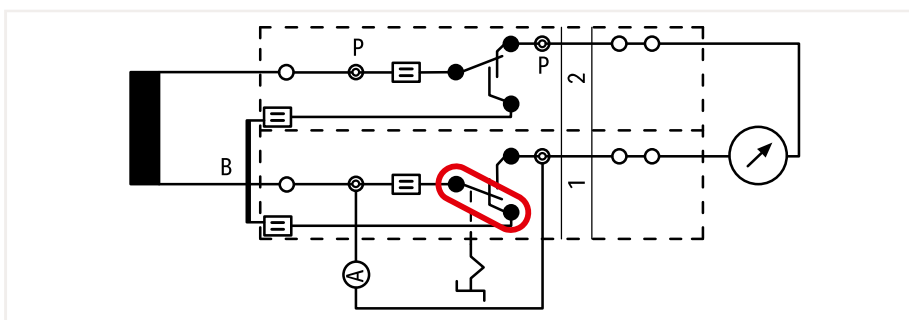


**Disconnect link in transition from "I" to "TEST" (terminal blocks 1 + 2)**  
 The transformer is not disconnected from the measurement device, yet the shorting path is activated by moving the disconnect link from "I" to "TEST."

6



**Disconnect link in notched "TEST" position (terminal blocks 1 + 2)**  
 The measurement device/relay is electrically disconnected from the transformer. If required, external voltage can be applied to the measurement device/relay via the test socket, or the 2nd CAGE CLAMP® connection.



**Disconnect link in notched position "I" (terminal block 2) Disconnect link in notched position "TEST" (terminal block 1) – measurement testing**  
 Before moving the disconnect link of terminal block 1 into the notched "TEST" position, the reference current meter must be inserted into the test socket of terminal block 1.



fine-stranded, tip-bonded



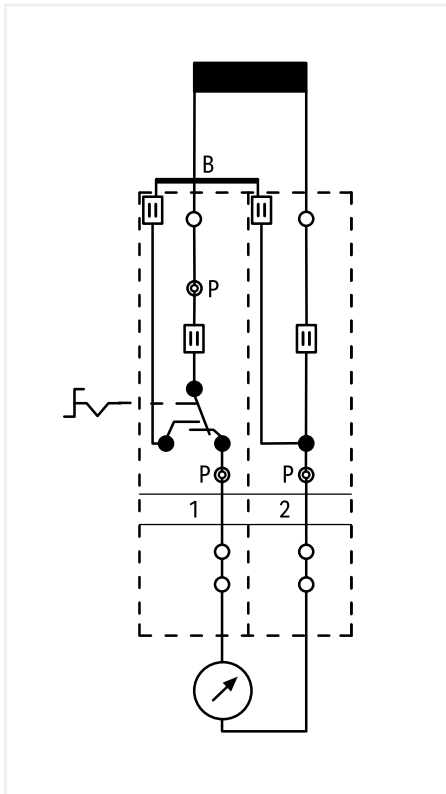
fine-stranded, with ferrule (gastight crimped)



fine-stranded, with pin terminal (gastight crimped)

## Circuit Configuration Examples

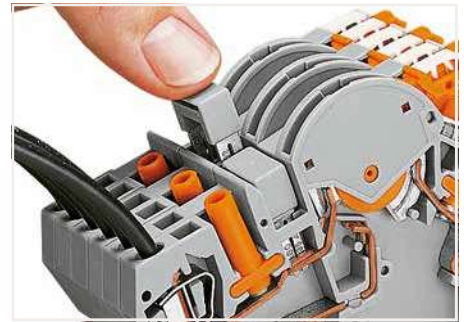
6



Measuring set for a single-phase current transformer (without measurement testing)



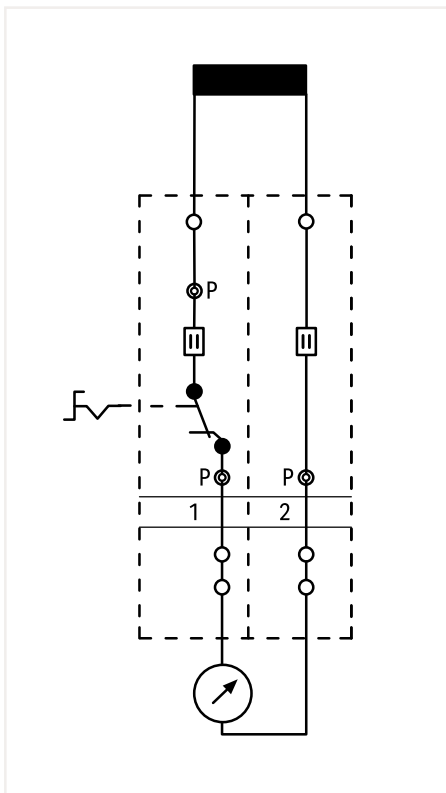
- Terminal blocks required:
- 1 x disconnect/test terminal block (282-870)
  - 1 x through terminal block (282-865)
  - 1 x jumper, orange (282-424)
  - 1 x end plate, orange (282-386)
  - In addition: locking cover, lock-out



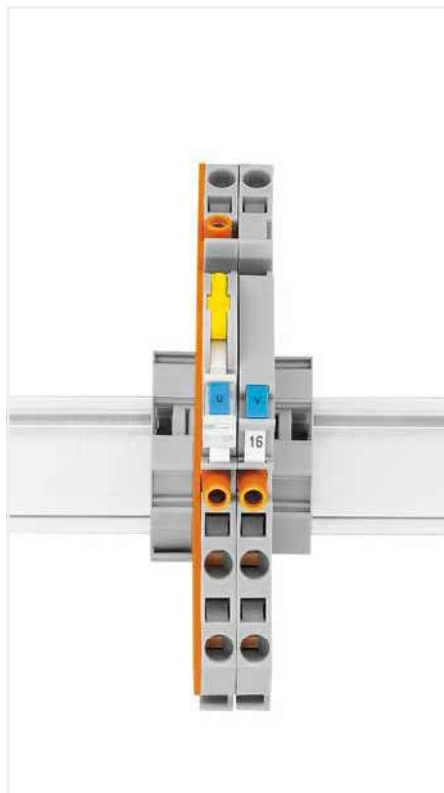
Additional commoning possible with circuit-related adjacent jumpers or testing option via test plug adapter (209-170) on transformer side.



CAGE CLAMP® connection  
Inserting a conductor via operating tool (5.5 x 0.8 mm blade).



Measuring set for a single-phase voltage transformer



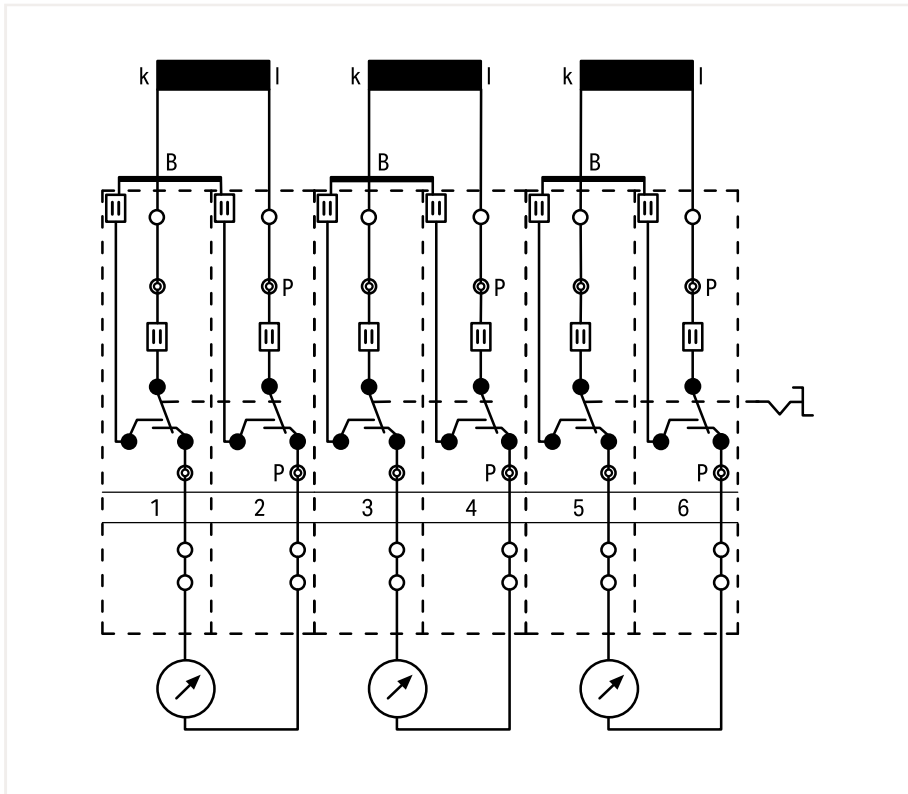
- Terminal blocks required:
- 1 x disconnect/test terminal block (282-860)
  - 1 x through terminal block (282-866)
  - 1 x end plate, orange (282-386)
  - In addition: locking cover, lock-out



A lock-out seal can be used on the disconnect link in notched "I" position.



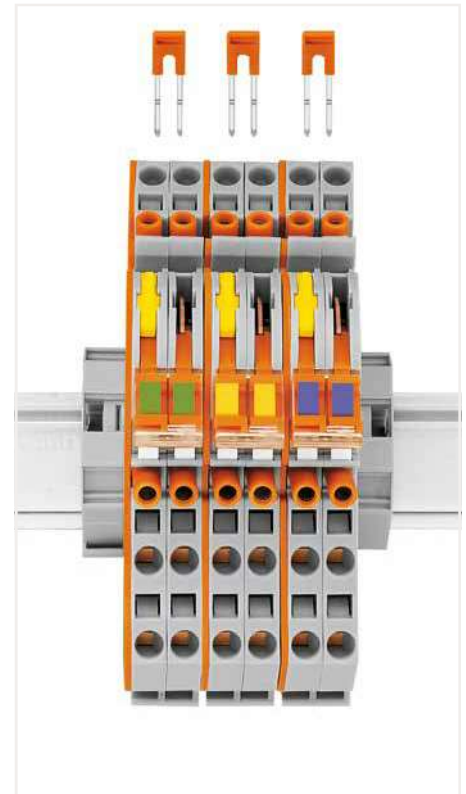
Additional CAGE CLAMP® connection on the measurement device side, e.g., when connecting wire commoning chains or applying an external voltage.



**Measuring set for a three-phase current transformer**

Pairs of disconnect links are interconnected via interlocking link or locking cover. Measurement testing is performed after the interlocking is released.

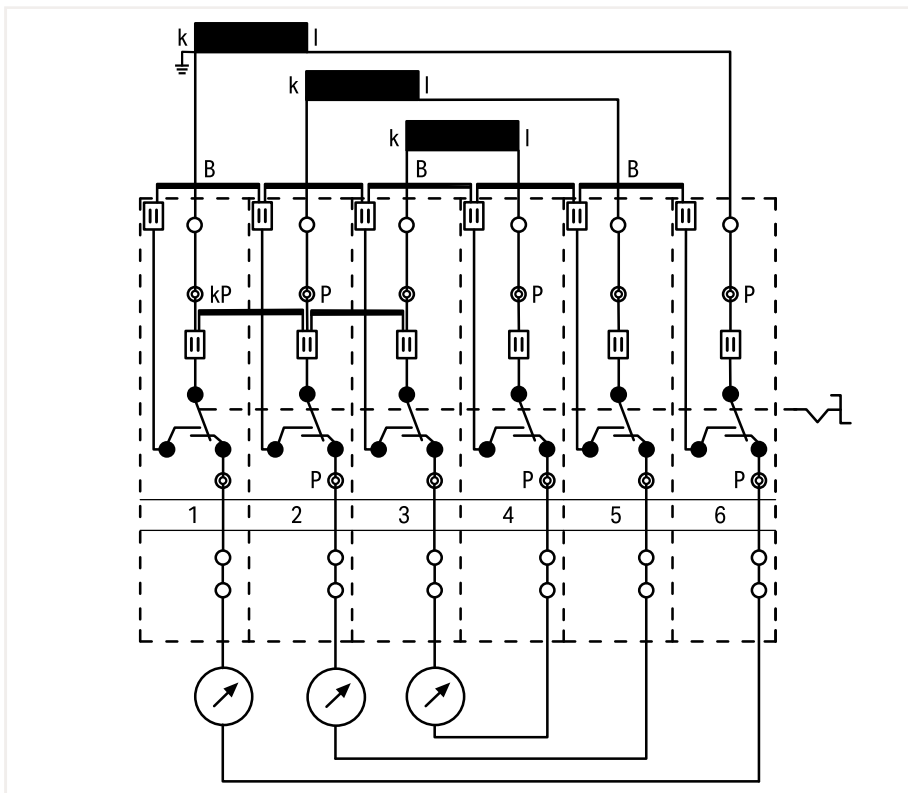
B = shorting jumper, P = test socket



**Terminal blocks required:**

- 6 x disconnect/test terminal block (282-870)
- 3 x jumper, orange (282-424)
- 3 x end plate, orange (282-386)
- In addition: interlocking link, locking cover, lock-out

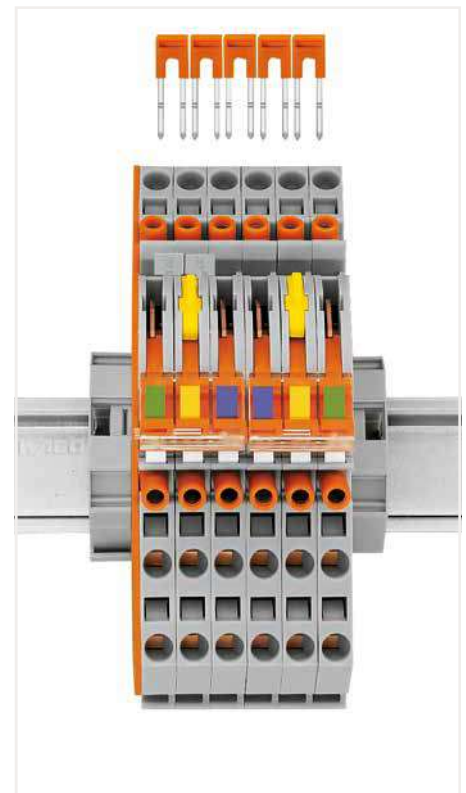
6



**Measuring set for a three-phase current transformer with 'Y' point**

All six disconnect links are interconnected via interlocking link.

kP = 'Y' point jumper

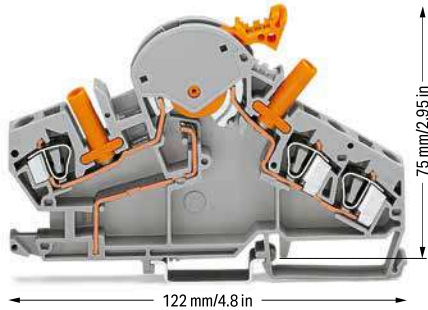


**Terminal blocks required:**

- 6 x disconnect/test terminal block (282-870)
- 5 x jumper, orange (282-424)
- 2 x jumper, gray (282-402)
- 1 x end plate, orange (282-386)
- In addition: interlocking link, locking cover, lock-out

# Disconnect/Test Terminal Block, Through/Ground Conductor Terminal Block; for Current and Voltage Transformer Circuits 6 mm<sup>2</sup>; 282 Series

Technical Data	
0.2 ... 6 mm <sup>2</sup>	24 ... 10 AWG
500 V/6 kV/3 ①	600 V, 30 A ②
I <sub>N</sub> 30 A	300 V, 5 A ③
Terminal block width: 8 mm / 0.315 inch	
12 ... 13 mm / 0.47 ... 0.51 inch	



Disconnect/test terminal block; with touch-proof test sockets; for 4 mm Ø test plugs; e.g., for current transformer circuits; orange disconnect link

Color	Item No.	Pack. Unit
○ gray	282-870 ② ③	20

**Accessories; item-specific**  
End and separator plate; 1.5 mm thick; without lock-out seal option

	orange	282-386	50 (10)
	gray	282-391	50 (10)

End and separator plate; 1.5 mm thick; with lock-out seal option

	orange	282-387	50 (10)
	gray	282-392	50 (10)

Lock-out device; for disconnect link

	yellow	282-384	100 (20)
--	--------	---------	----------

Locking cover; mechanically locks multiple links; transparent

	1-pole	282-881	50 (10)
	2-pole	282-882	50 (10)
	3-pole	282-883	50 (10)
	4-pole	282-884	50 (10)
	5-pole	282-885	50 (10)
	6-pole	282-886	50 (10)
	7-pole	282-887	50 (10)
	8-pole	282-888	50 (10)

Interlocking link; mechanically locks multiple links; 1 m long

	transparent	210-254	1
--	-------------	---------	---

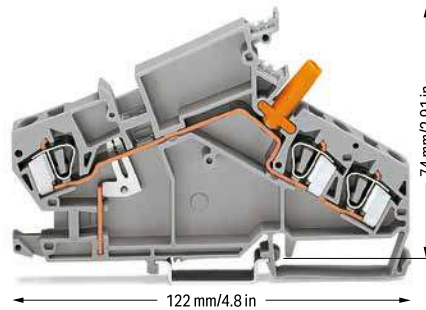
Adjacent jumper; insulated; I<sub>N</sub> 41 A

	orange	282-424	100 (25)
--	--------	---------	----------

WMB marking card; 10 strips with 10 markers/card; stretchable 5 ... 5.2 mm; yellow

	k/I (50x)	794-5553/000-002	5
--	-----------	------------------	---

Technical Data	
0.2 ... 6 mm <sup>2</sup>	24 ... 10 AWG
500 V/6 kV/3 ①	600 V, 30 A ②
I <sub>N</sub> 30 A	300 V, 5 A ③
Terminal block width: 8 mm / 0.315 inch	
12 ... 13 mm / 0.47 ... 0.51 inch	



Through terminal block; with touch-proof test socket; for 4 mm Ø test plugs; e.g., for current transformer circuits

Color	Item No.	Pack. Unit
○ gray	282-865 ③	20

**Accessories; item-specific**  
End and intermediate plate; 1.5 mm thick

	orange	282-385	50 (10)
	gray	282-390	50 (10)

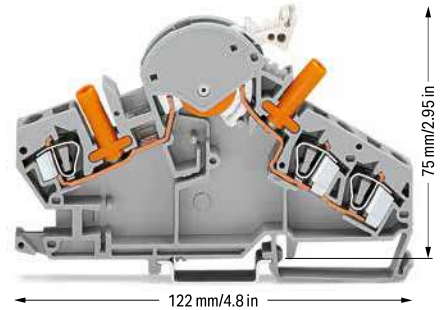
WMB marking card; 10 strips with 10 markers/card; stretchable 5 ... 5.2 mm; yellow

	k/I (50x)	794-5553/000-002	5
--	-----------	------------------	---

Adjacent jumper; insulated; I<sub>N</sub> 41 A

	orange	282-424	100 (25)
--	--------	---------	----------

Technical Data	
0.2 ... 6 mm <sup>2</sup>	24 ... 10 AWG
500 V/6 kV/3 ①	600 V, 30 A ②
I <sub>N</sub> 30 A	300 V, 5 A ③
Terminal block width: 8 mm / 0.315 inch	
12 ... 13 mm / 0.47 ... 0.51 inch	



Disconnect/test terminal block; with touch-proof test sockets; for 4 mm Ø test plugs; e.g., for voltage transformer circuits; light gray disconnect link

Color	Item No.	Pack. Unit
○ gray	282-860 ② ③	20

**Accessories; item-specific**  
End and separator plate; 1.5 mm thick; without lock-out seal option

	orange	282-386	50 (10)
	gray	282-391	50 (10)

End and separator plate; 1.5 mm thick; with lock-out seal option

	orange	282-387	50 (10)
	gray	282-392	50 (10)

Lock-out device; for disconnect link

	yellow	282-384	100 (20)
--	--------	---------	----------

Locking cover; mechanically locks multiple links; transparent

	1-pole	282-881	50 (10)
	2-pole	282-882	50 (10)
	3-pole	282-883	50 (10)
	4-pole	282-884	50 (10)
	5-pole	282-885	50 (10)
	6-pole	282-886	50 (10)
	7-pole	282-887	50 (10)
	8-pole	282-888	50 (10)

Interlocking link; mechanically locks multiple links; 1 m long

	transparent	210-254	1
--	-------------	---------	---

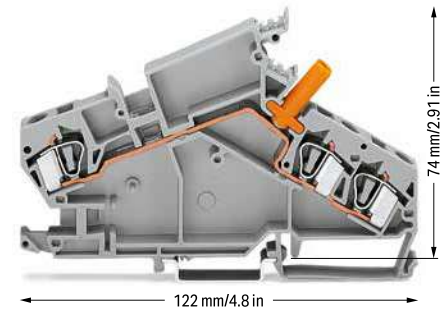
WMB marking card; 10 strips with 10 markers/card; stretchable 5 ... 5.2 mm; blue

	U/V (50x)	794-5554/000-006	5
--	-----------	------------------	---

6

**Technical Data**

0.2 ... 6 mm <sup>2</sup>	24 ... 10 AWG
500 V/6 kV/3 ①	600 V, 30 A ②
I <sub>N</sub> 30 A	300 V, 5 A ③
Terminal block width: 8 mm / 0.315 inch	
12 ... 13 mm / 0.47 ... 0.51 inch	



Through terminal block; with touch-proof test socket; for 4 mm Ø test plugs; e.g., for voltage transformer circuits

Color	Item No.	Pack. Unit
○ gray	282-866 ④	20

**Accessories; item-specific**

End and intermediate plate; 1.5 mm thick

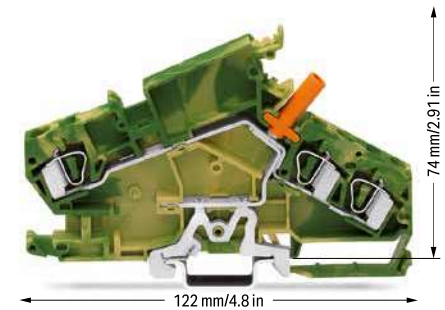
	orange	282-385	50 (10)
	gray	282-390	50 (10)

WMB marking card; 10 strips with 10 markers/card; stretchable 5 ... 5.2 mm; blue

	U/V (50x)	794-5554/000-006	5
--	-----------	------------------	---

**Technical Data**

0.2 ... 6 mm <sup>2</sup>	24 ... 10 AWG
Terminal block width: 8 mm / 0.315 inch	
12 ... 13 mm / 0.47 ... 0.51 inch	



Ground conductor terminal block; with touch-proof test socket; for 4 mm Ø test plugs; e.g., for voltage transformer circuits

Color	Item No.	Pack. Unit
○ gray	282-868 ④	20

**Accessories; item-specific**

End and intermediate plate; 1.5 mm thick

	orange	282-385	50 (10)
	gray	282-390	50 (10)

① 500 V = rated voltage  
6 kV = rated impulse voltage  
3 = pollution degree  
(see Section 15)

② Max. height when rotating the disconnect link (incl. locking cover): 92 mm/3.62 inch

③ For operating stickers, please refer to our online catalog:  
• for 282-870: Item No. 210-412  
• for 282-865: Item No. 210-415  
• for 282-860: Item No. 210-414  
• for 282-866: Item No. 210-413

Approvals and corresponding ratings, visit [www.wago.com](http://www.wago.com)

**Accessories; 282 Series**

Appropriate marking systems:  
WMB/WMB Inline/WFB

Protective warning marker; with black high-voltage symbol; for 5 terminal blocks

	yellow	282-415	100 (25)
--	--------	---------	----------

Adjacent jumper; insulated; I<sub>N</sub> 41 A

	gray	282-402	100 (25)
	yellow-green	282-422	100 (25)

Alternate jumper; insulated; I<sub>N</sub> 41 A

	gray	282-409	100 (25)
--	------	---------	----------

Wire commoning chain; insulated; 4 connections; 3 x 110 mm; I<sub>N</sub> 24 A

	black	709-110	1
--	-------	---------	---

Wire commoning chain; insulated; 3 connections; 2 x 120 mm; I<sub>N</sub> 24 A

	black	709-111	1
--	-------	---------	---

Wire commoning chain; insulated; 3 connections; 2 x 170 mm; I<sub>N</sub> 24 A

	black	709-112	1
--	-------	---------	---

Group marker carrier; e.g., for 282 Series; angled

	gray	209-144	50 (25)
--	------	---------	---------

WMB marking card; white; 10 strips with 10 markers/card; for 5 ... 17.5 mm terminal block width

	plain	793-501	5
--	-------	---------	---